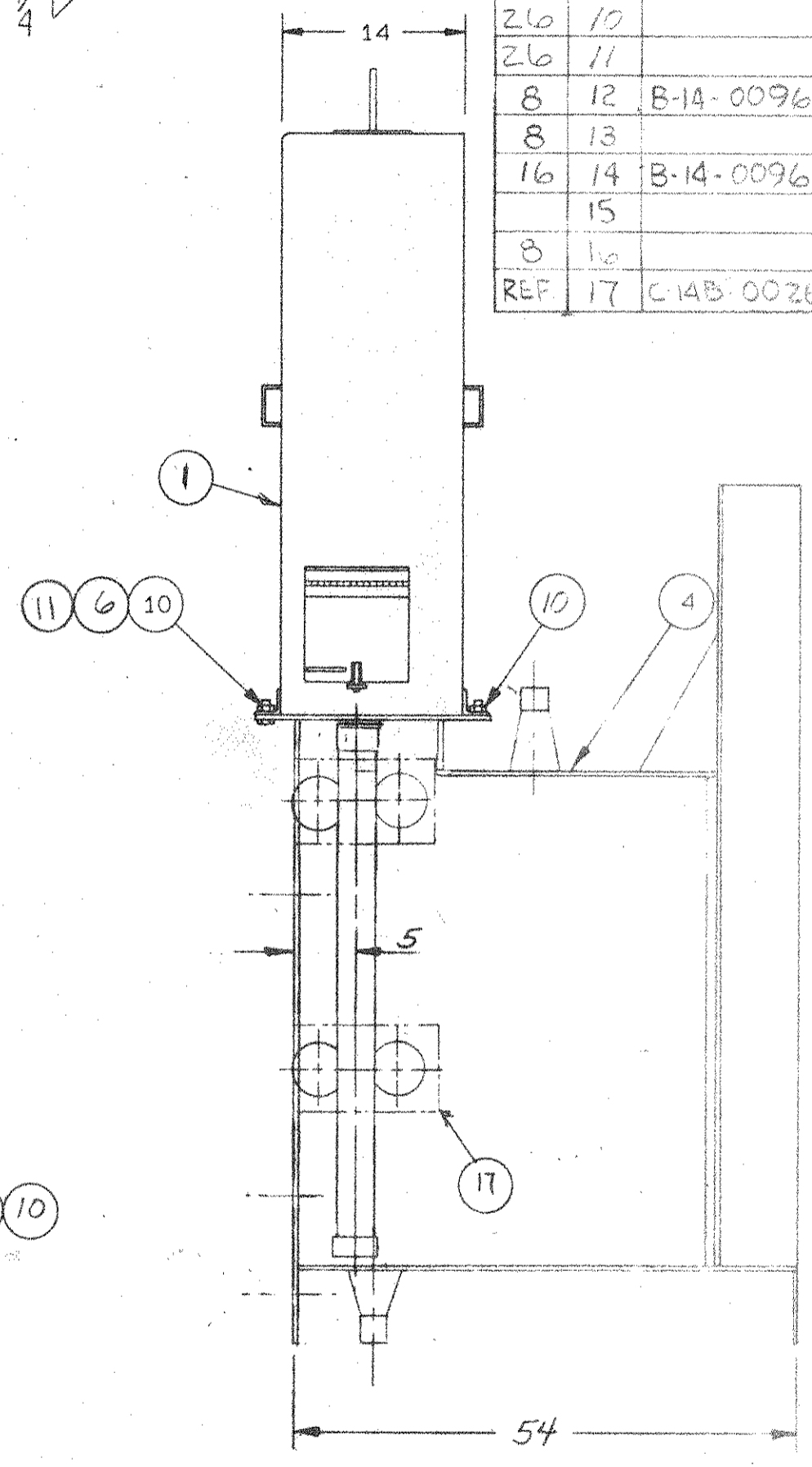
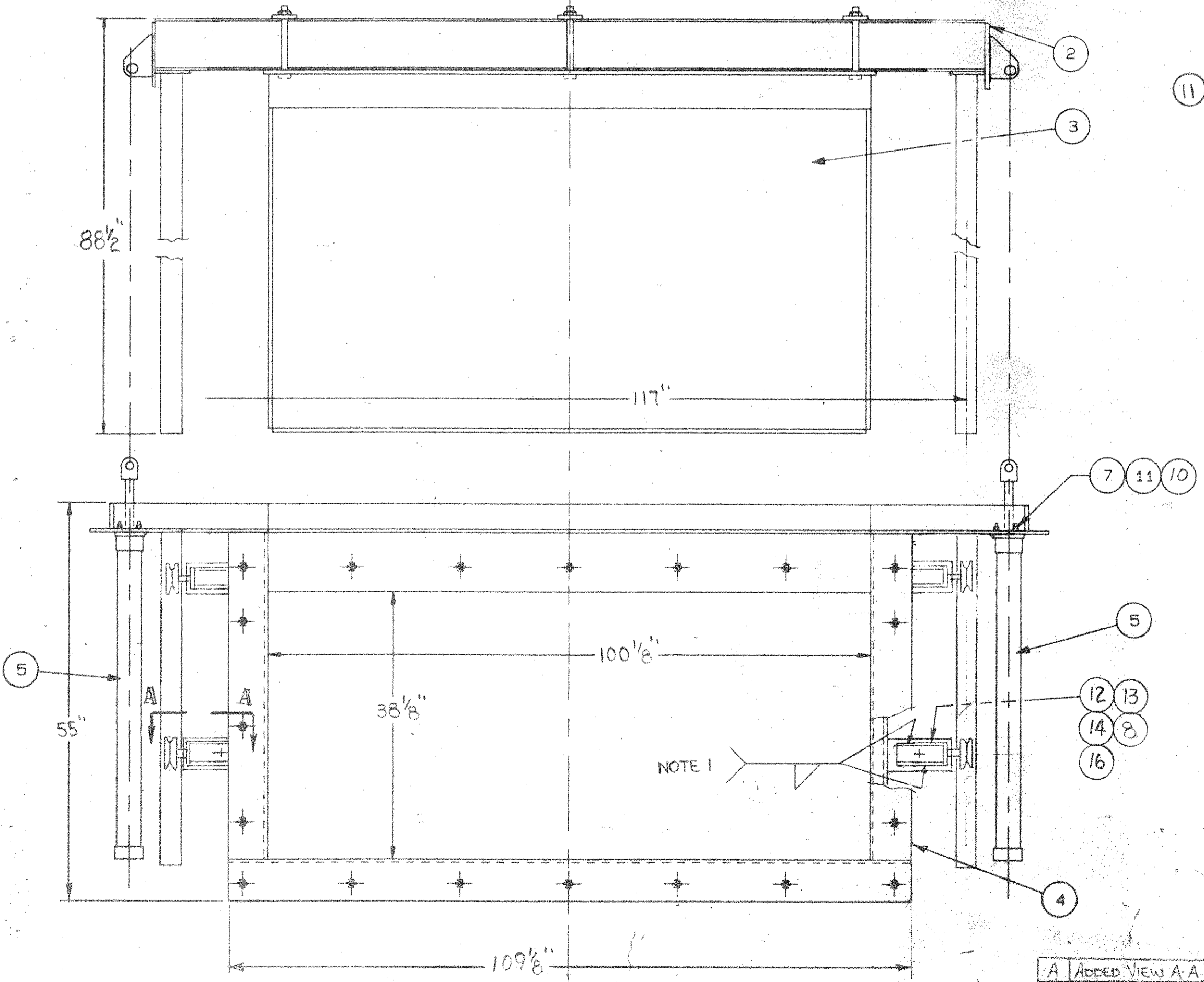
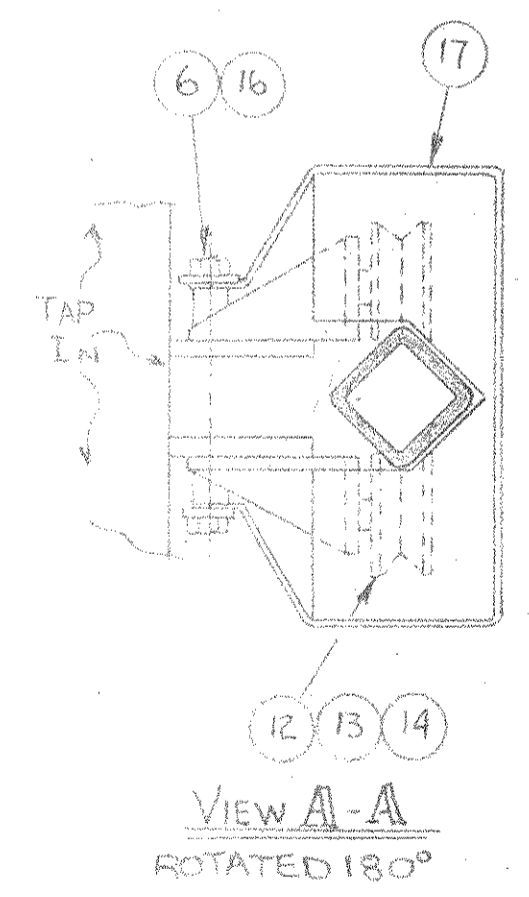


GROUP		PARTS LIST		
02	01	ITEM	PART	DESCRIPTION
REF	1	C14E-0025-601		FIRE DOOR COVER
REF	2	C14A-0019-601		FIRE DOOR U FRAME
REF	3	C14C-0030-601		FIRE DOOR
REF	4	D14-0017-601		100 X 3 TAP-IN HOUSING
2	5	FD-11		SHEFFER 2" HMFHF43 CRKY 1 3/8 DIA ROD Y=4 DUAL PISTON
Z6	6			1/2 - 13 X 2 HEX HD BOLT
8	7			1/2 - 13 X 3 HEX HD BOLT
	8			
	7			
Z6	10			1/2 - 13 HEX NUT
Z6	11			1/2 LOCKWASHER
8	12	B-14-0096-601		IDLER ROLLER SUPPORT
8	13			OSBORNE #VLR-3 1/2" w/ WASHER & JAM NUT
16	14	B-14-0096-602		SPACER
	15			
8	16			FLAT WASHER, 1/2"
REF	17	C14B-0026-601		ROLLER COVER



NOTE:
 WELD ITEMS SHOWN, ONLY AFTER ALL ADJUSTMENTS ARE MADE IN ALIGNING ROLLERS.



THIS DRAWING IS THE PROPERTY OF CONSUMAT SYSTEMS INC. AND IS TO BE USED ONLY FOR MANUFACTURING ITEMS ON ORDER FOR CONSUMAT SYSTEMS INC. SUBJECT TO RETURN UPON DEMAND AND IS NOT TO BE PRINTED, PHOTOGRAPHED, COPIED, REPRODUCED, LOANED OR USED IN ANY WAY WITHOUT WRITTEN PERMISSION OF CONSUMAT SYSTEMS, INC.

HARFORD, P4805 01 4479 3725
 APPROX. WT = 5220 LBS GROUP B/M D/L NEXT HIGHER ASSY

100 X 33 CHARGING HEAD ASSEMBLY
 CS 3000E

Consumat Systems, Inc.
 RICHMOND, VIRGINIA U.S.A.

SCALE: _____ DRAWN: _____ DRAWING NO. _____
 DATE: 07-15-86 CHK: _____ C15L-0016Z
 DO NOT SCALE APPR: JPK SHEET 1 OF 1 REV

A	ADDED VIEW A-A	7-24-86	RHH
NO	REVISION	DATE	BY