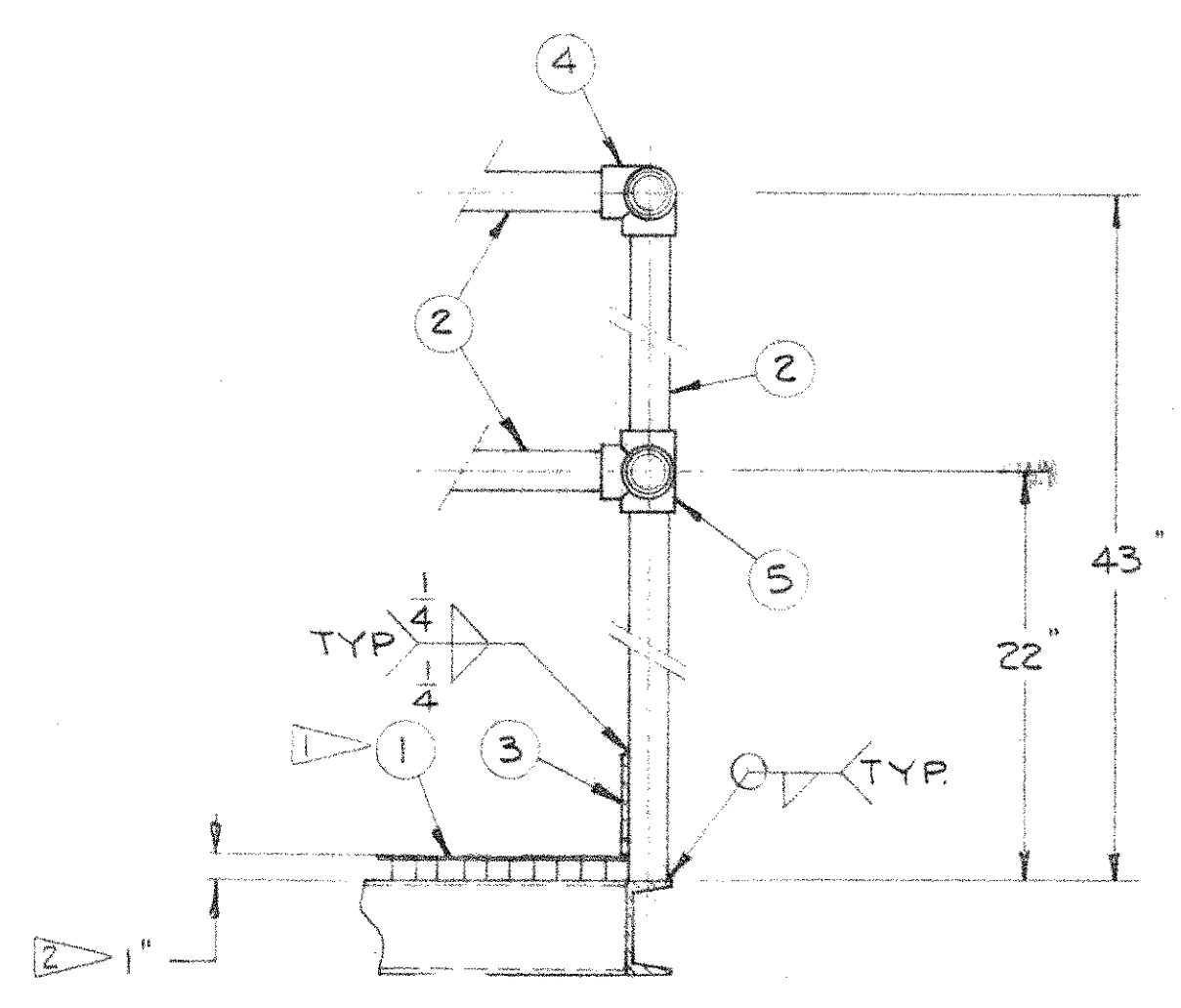
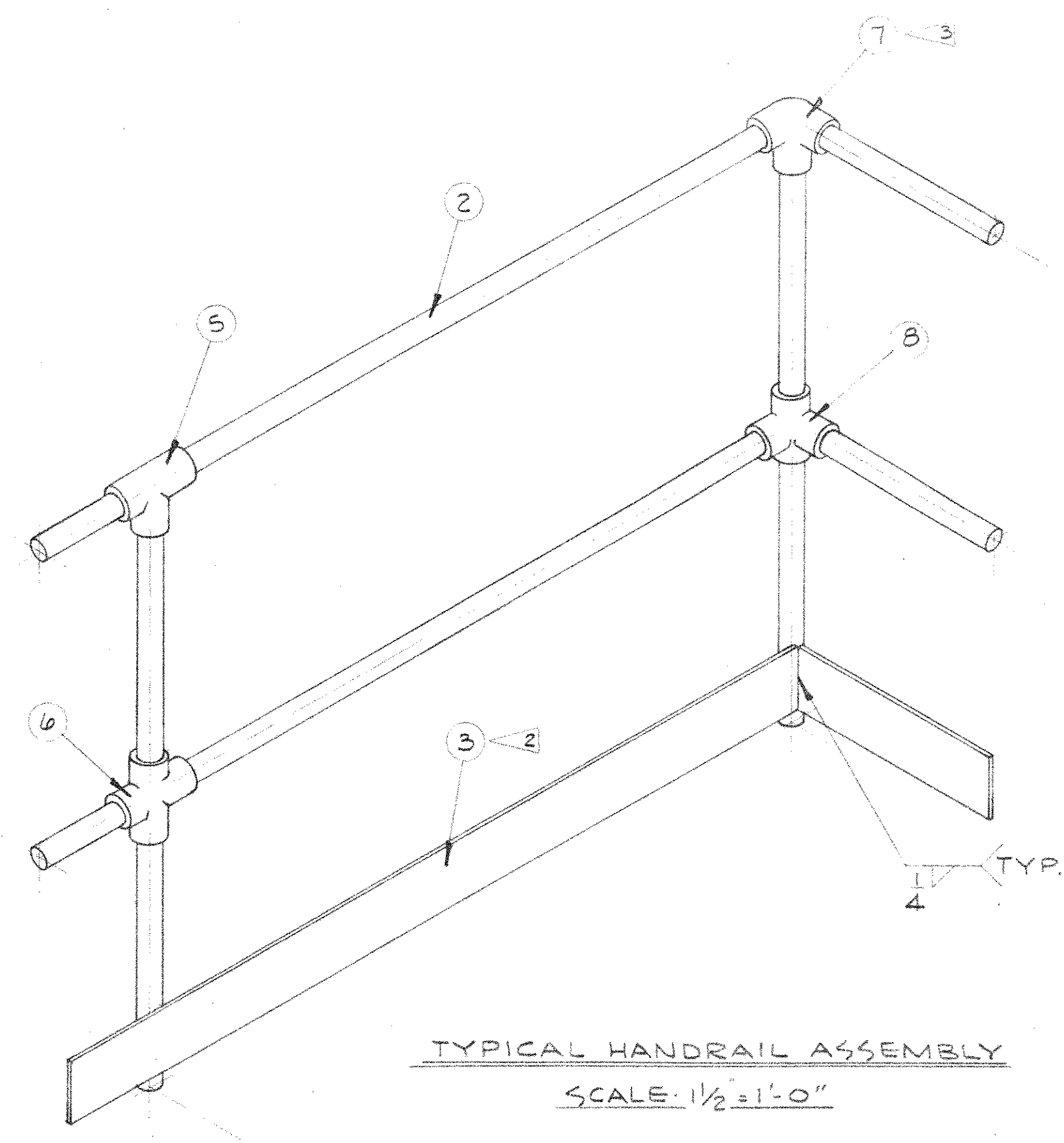


GROUP		PARTS LIST		
02	01	ITEM	PART	DESCRIPTION

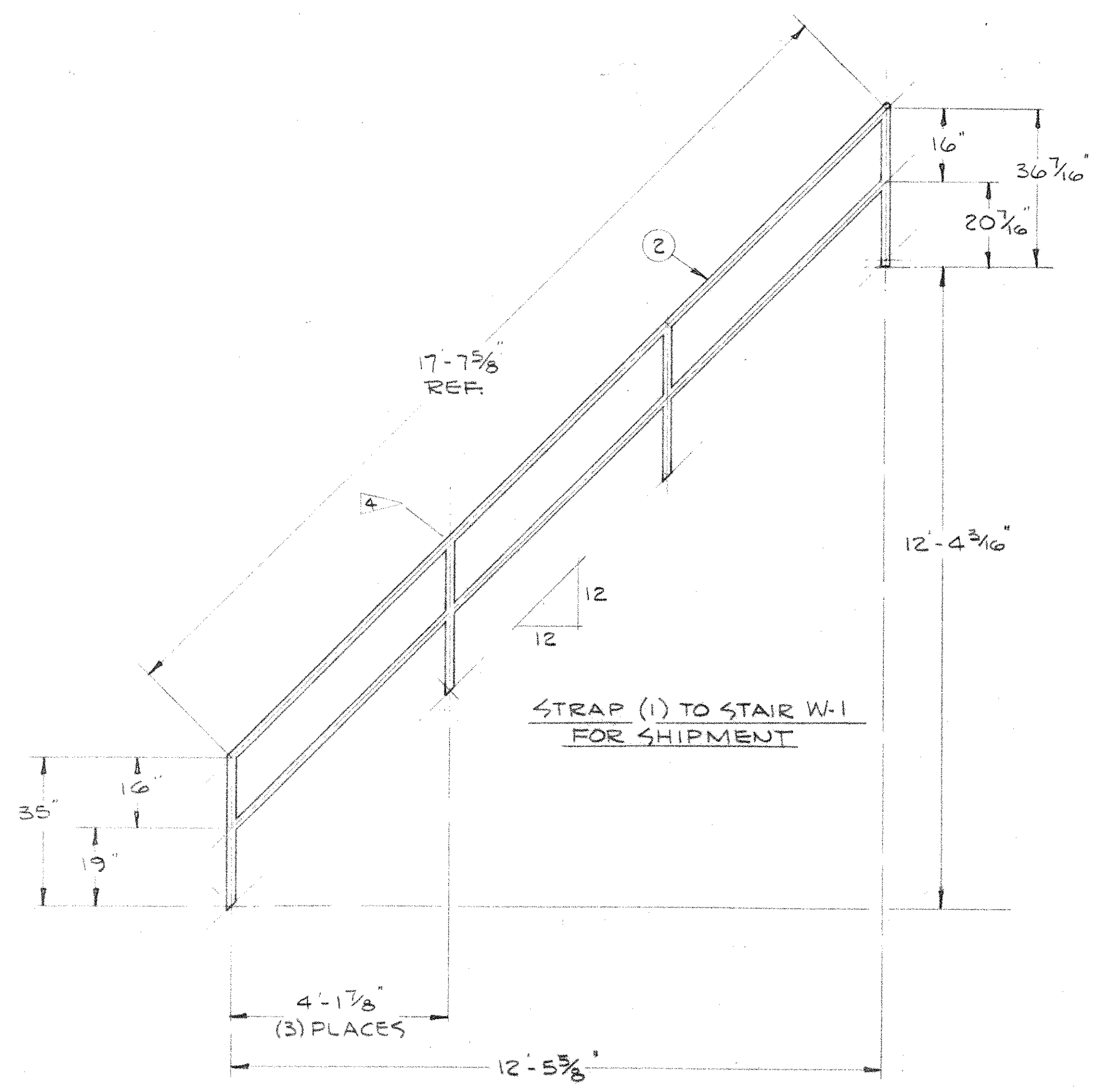
REFER TO SHEET (1) FOR PARTS LIST



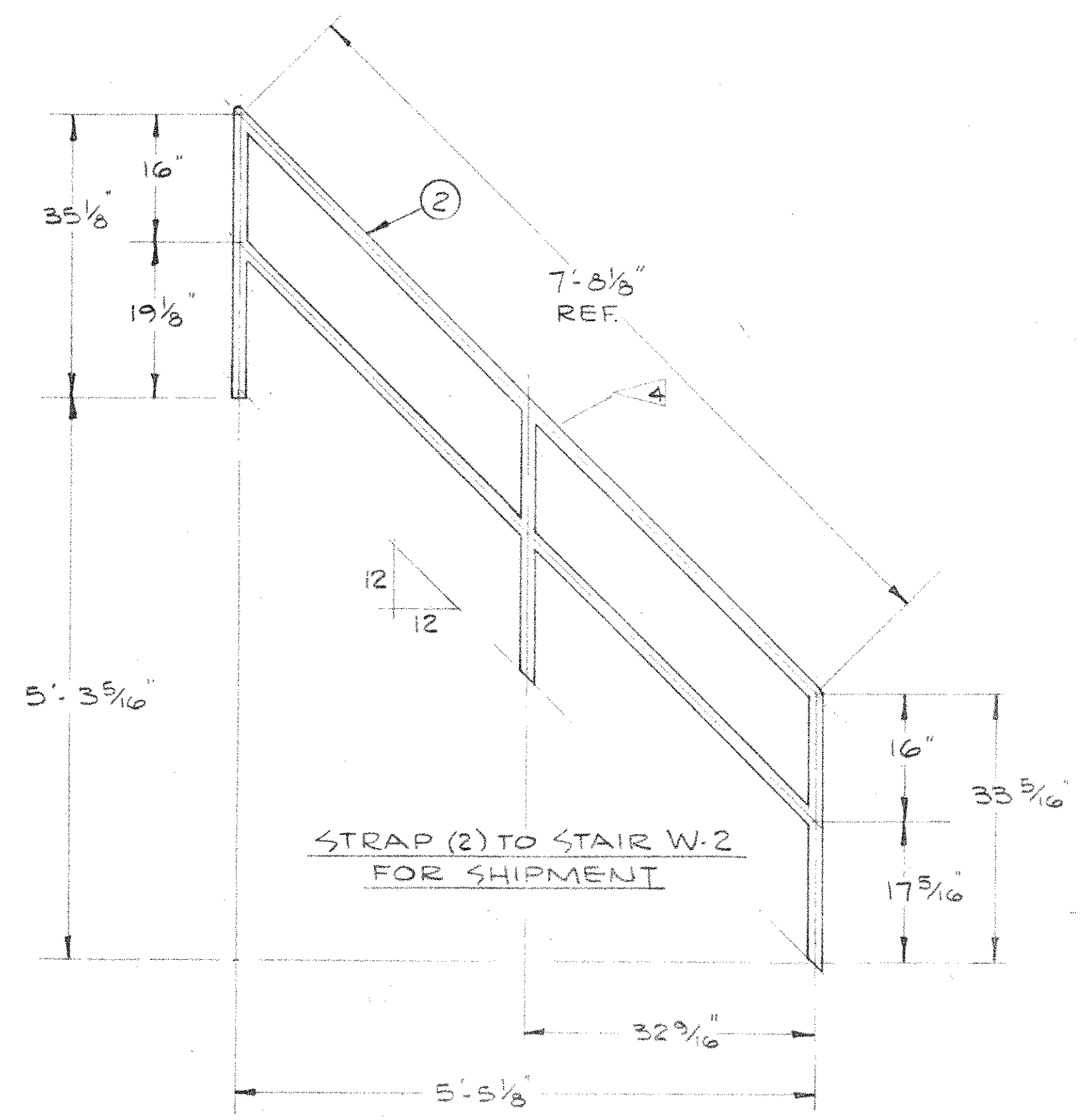
SECTION A-A (TYP.)  
SCALE: 1/2" = 1'-0"



TYPICAL HANDRAIL ASSEMBLY  
SCALE: 1/2" = 1'-0"



HANDRAIL H-1  
(2) REQ'D. - SCALE: 1/2" = 1'-0"



HANDRAIL H-2  
(4) REQ'D. - SCALE: 3/4" = 1'-0"

Field Issued

Date: SEP 9 1987

ISSUED FOR CONSTRUCTION

AUTH. SIG. KLL DATE 9/9/87

NOTES

- 1 GRATING SHOULD BE NOTCHED WHERE NECESSARY TO CLEAR HANDRAIL POSTS WHICH ARE WELDED TO FRAMING WITH TOE PLATES ON INSIDE AS SHOWN IN SECTION A-A
- 2 TACK WELD TOE PLATE TO GRATING WHERE NECESSARY FOR STIFFENING.
- 3 SPEED RAIL FITTINGS WILL BE USED ON ALL PLATFORM HANDRAILS.
- 4 HANDRAILS FOR STAIRS WILL BE WELDED CONSTRUCTION. JOINTS TO BE SOLID & GROUND SMOOTH.
- 5 ALL STEEL TO BE PAINTED (1) COAT GRAY RUST RESISTANT PAINT - RUSTOLEUM No. 904 GRAY OR APPROVED EQUIVALENT, WITH THE EXCEPTION OF GALVANIZED COMPONENTS.
- 6 DIMENSION SHOWN IS EXTRA LENGTH TO PERMIT ANY ADJUSTMENT WITH BLDG. SIDING AT FIELD ASSEMBLY.

TOLERANCES:  
NORMAL ±  
EXCEPT AS NOTED.  
HOLE LOCATION  
DIMENSIONS MUST  
BE HELD TO ±

HARFORD	4805	2/02	5119						
PROJ. NAME	PROJ. NO.	OFF.	B/M	D/L	NEXT HIGHER ASSY				

TOLERANCES MUST NOT BE ACCUMULATIVE.  
THIS DRAWING IS THE PROPERTY OF CONSUMAT SYSTEMS INC. AND IS TO BE USED ONLY FOR PRODUCING ITEMS ON ORDER FOR CONSUMAT SYSTEMS INC. SUBJECT TO RETURN UPON DEMAND AND IS NOT TO BE PRINTED, PHOTOGRAPHED, COPIED, REPRODUCED, LOANED OR USED IN ANY MANNER WITHOUT WRITTEN PERMISSION OF CONSUMAT SYSTEMS, INC.

DR	EA	4
DATE	9-1-87	
CHK		
DATE		
APP		
APP		

**Consumat Systems, Inc.**  
RICHMOND, VIRGINIA U.S.A.  
TITLE  
ACCESS PLATFORM W/WALKWAY  
GRATING & HANDRAILS  
EAST SIDE (G01) & WEST SIDE (G02)

SCALE	AS SHOWN	SIZE	DWG NO.	REV
REFERENCE		D	D-43-0337	
			SHEET 2 OF 2	

REV	REVISION	DATE	DR	CHK	APP	APP	DO NOT SCALE
-----	----------	------	----	-----	-----	-----	--------------