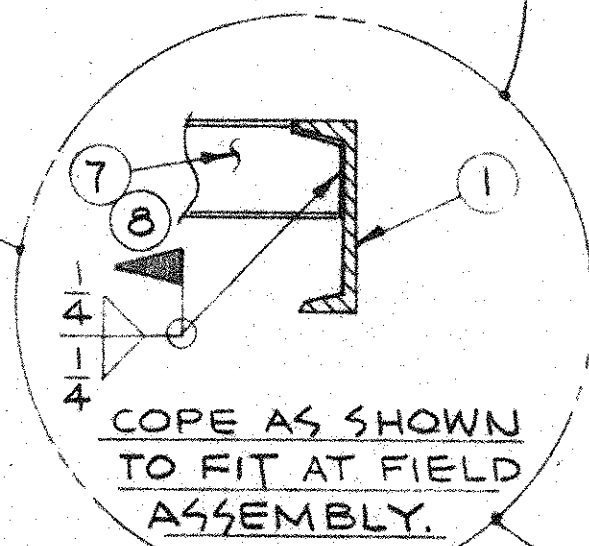
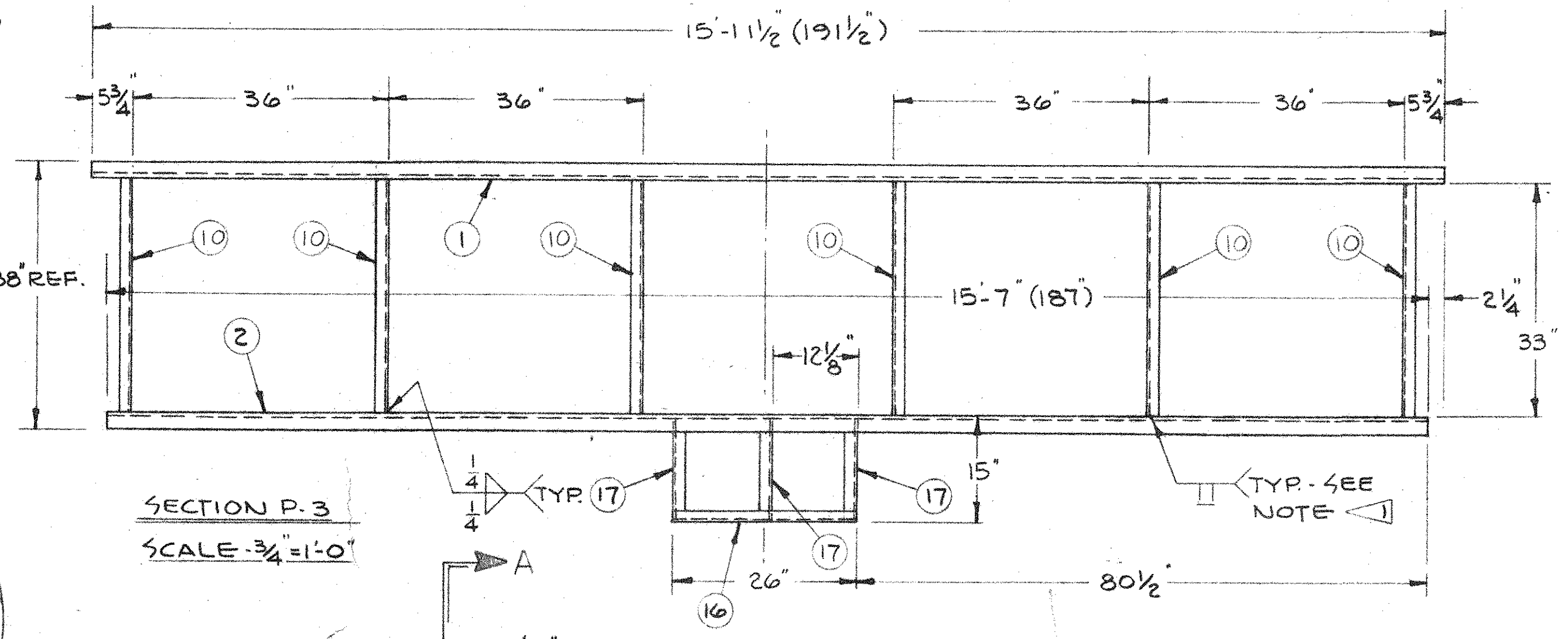
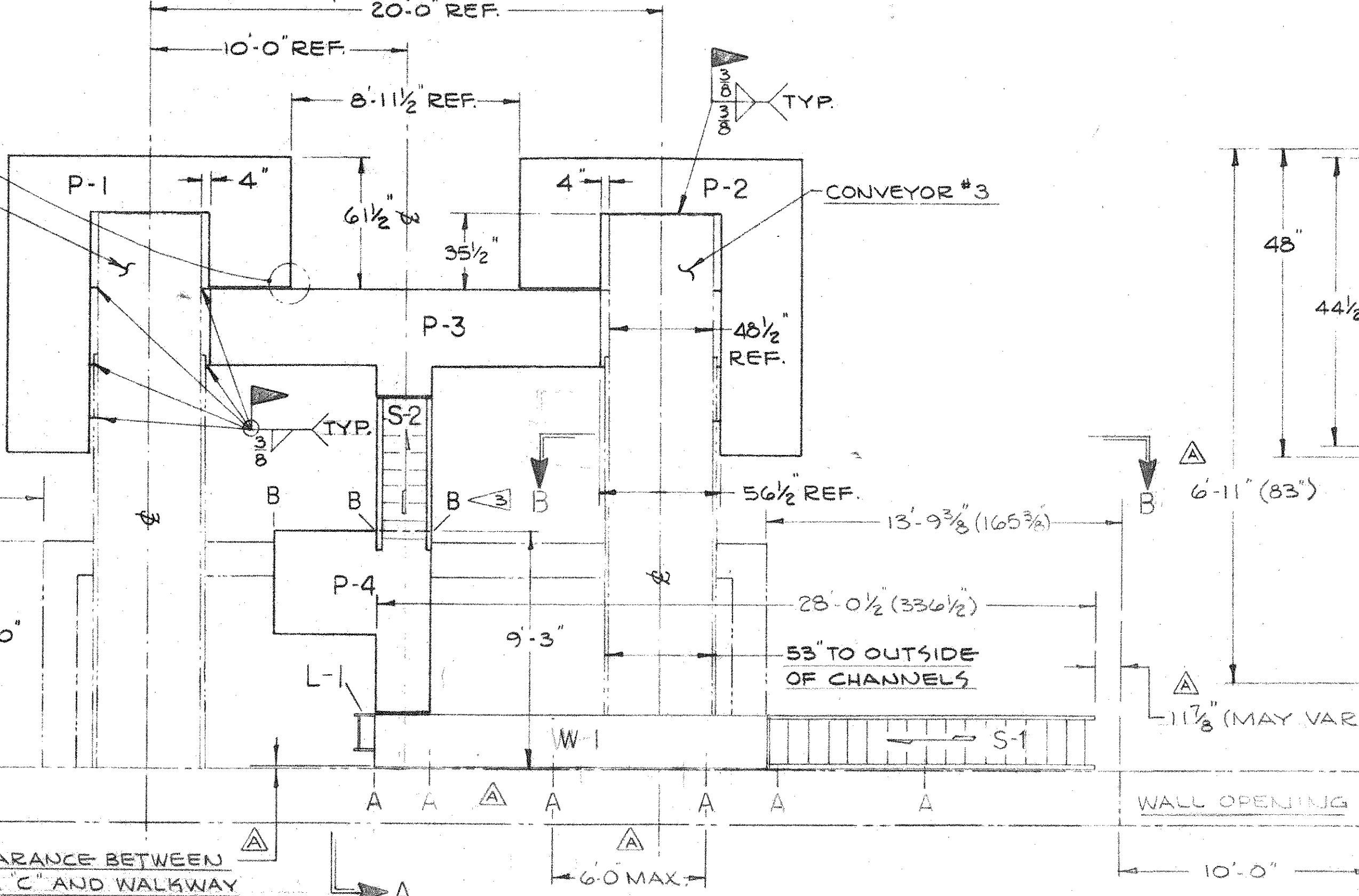


SEE SHEET 3 FOR DETAILS, STAIRS & LADDER
SEE SHEET 4 FOR SECTIONAL VIEWS

- NOTES:**
- ▶ ALL TOP FRAMING SURFACES SHALL BE FLUSH AT FABRICATION & FIELD ASSEMBLY.
 - ▶ "A" INDICATES LOCATION OF DETAIL "A" WHICH SUPPORTS WALKWAY OFF WALL "C" AT 6' INTERVALS WHERE POSSIBLE SEE SHEET 3 & 4 - (6) REQ'D. (A)
 - ▶ "B" INDICATES LOCATION OF DETAIL "B" WHICH SUPPORTS SECTION P-4 OFF TOP OF WALL - SEE SHEET 3 & 4 - (3) REQ'D.
 - ▶ COPE CHANNEL ENDS IF NECESSARY TO FIT AT ASSEMBLY.



SECTION P-1 - AS SHOWN
SECTION P-2 - OPP HAND
SCALE - 3/4" = 1'-0"

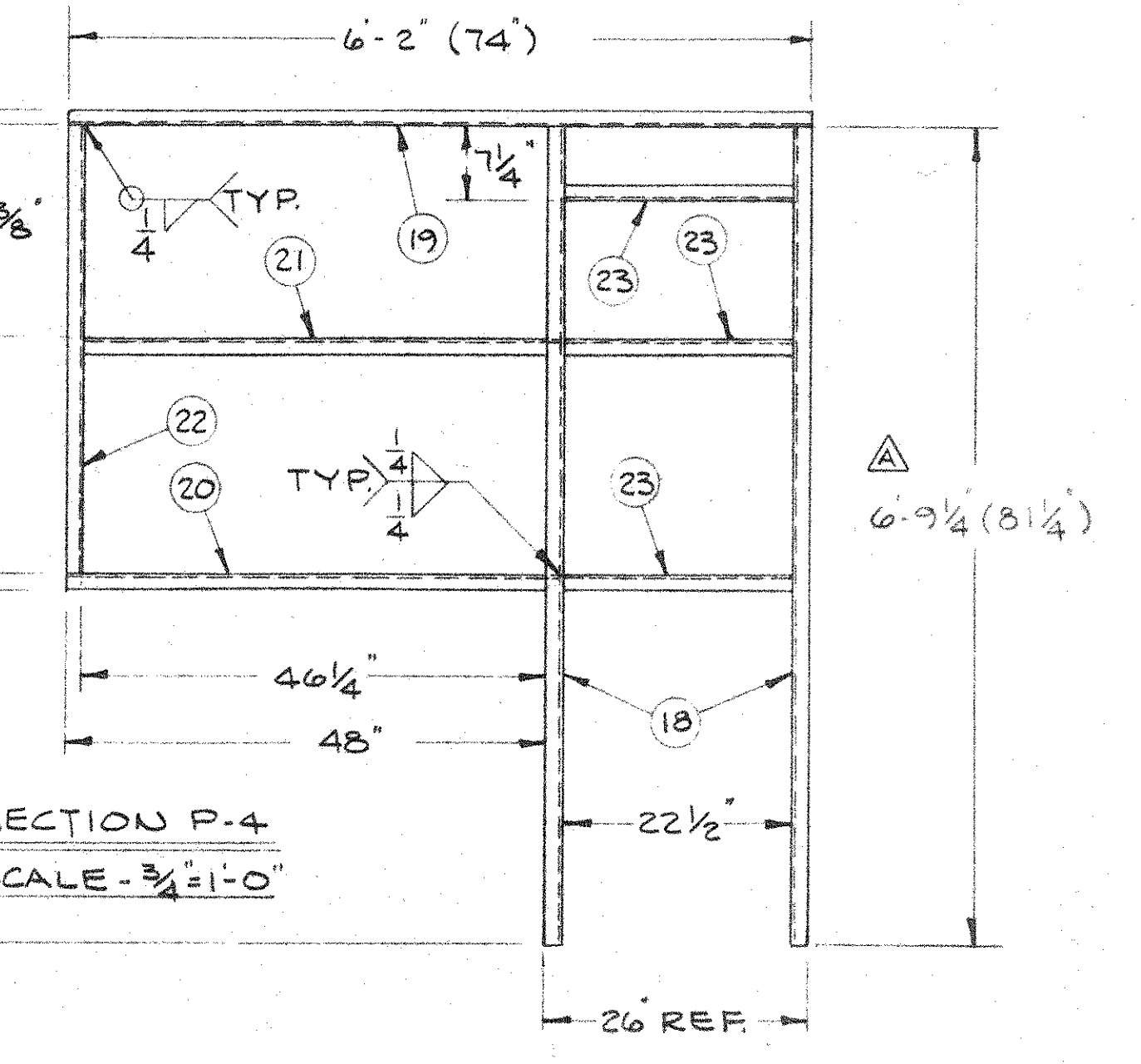


PLAN VIEW
WEST SIDE - GOZ
SCALE - 1/4" = 1'-0"

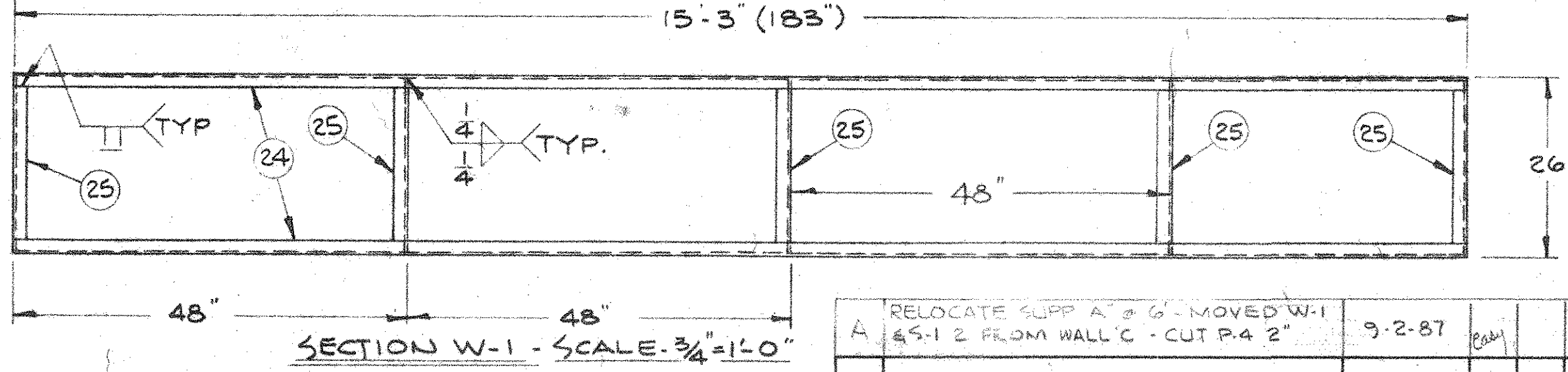
GROUP		PARTS LIST		
02	01	ITEM	PART	DESCRIPTION
1	1			C8 x 18.75# x 15'-11 1/2" (191 1/2")
1	2			x 15'-7" (187")
2	3			x 40 1/4
2	4			do x 38
4	5			C4 x 7.25# x 10'-9" (129")
2	6			x 11'-6" (138")
2	7			x 63 1/2
4	8			x 37 1/2
2	9			x 40 1/4
8	10			x 33
2	11			x 34 1/2
2	12			x 24 1/2
6	13			x 23 15/16
2	14			x 15 1/16
1	16			x 26
3	17			x 14 3/16
2	18			x 8 1/4
1	19			x 74
1	20			x 49 7/16
1	21			x 47 11/16
1	22			x 44 1/2
3	23			x 22 1/2
2	24			x 15'-3" (183")
5	25			do x 25 3/8

Field Issued
Date: SEP 9 1987

ISSUED FOR CONSTRUCTION
AUTH. SIG. KES DATE 9/3/87



SECTION P-4
SCALE - 3/4" = 1'-0"



SECTION W-1 - SCALE - 3/4" = 1'-0"

TOLERANCES:
NORMAL ±
EXCEPT AS NOTED.
HOLE LOCATION DIMENSIONS MUST BE HELD TO ±

HARFORD	4805	02	5104		
PRJ NAME	PRJ NO.	GRP.	B/M	D/L	NEXT HIGHER ASSY

THIS DRAWING IS THE PROPERTY OF CONSUMAT SYSTEMS, INC. AND IS TO BE USED ONLY FOR PRODUCING ITEMS ON ORDER FOR CONSUMAT SYSTEMS, INC. SUBJECT TO RETURN UPON DEMAND AND IS NOT TO BE REPRODUCED, COPIED, REPRODUCED, LOANED OR USED IN ANY WAY WITHOUT WRITTEN PERMISSION OF CONSUMAT SYSTEMS, INC.

DR EAS
DATE 8-12-87
CHK AS SHOWN
APP
APP
APP
APP
DO NOT SCALE

Consumat Systems, Inc.
RICHMOND, VIRGINIA U.S.A.

TITLE: ACCESS PLATFORM W/ WALKWAY
PLAN VIEW & FRAMING
CONVEYORS 3 & 4 - WEST SIDE - GOZ

SCALE AS SHOWN
SIZE D
DWG NO. D-44-0229
REV A
SHEET 2 OF 4

REV	REVISION	DATE	DR	CHK	APP	APP
A	RELOCATE SUPP A & 6" MOVED W-1 & 5-1 2 FROM WALL C - CUT P-4 2"	9-2-87				