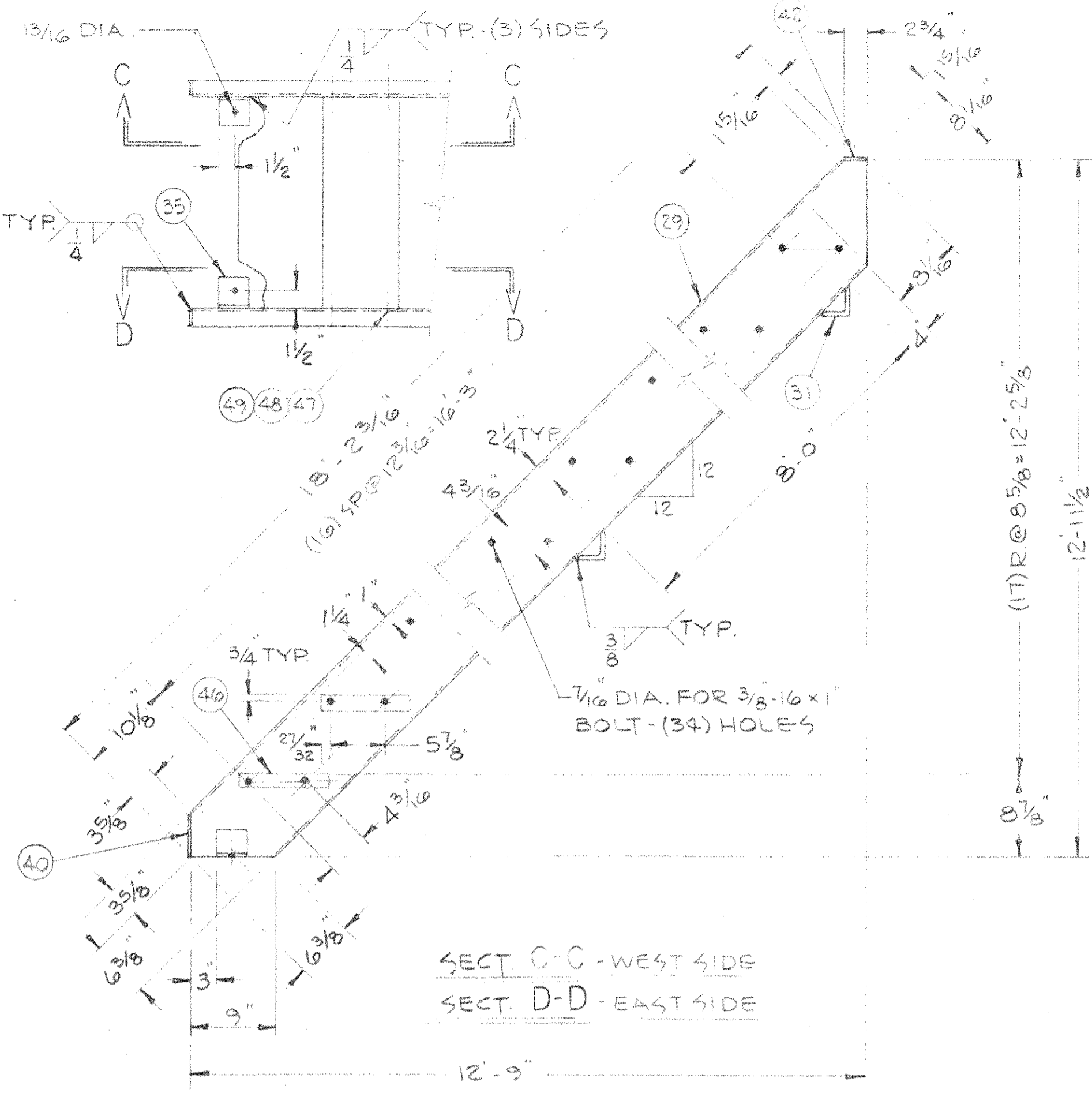
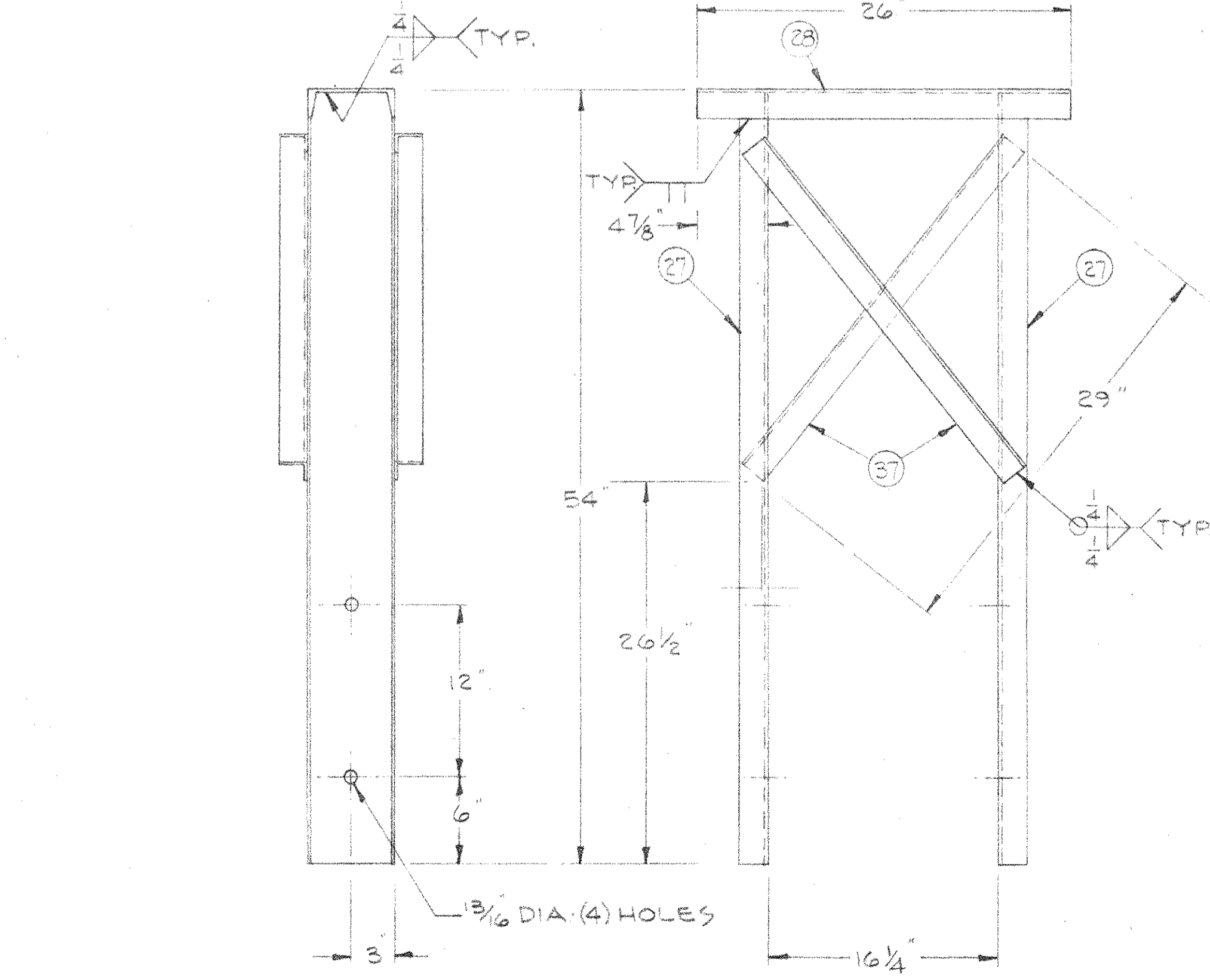


DETAIL "A"
SCALE - 1/2" = 1'-0"

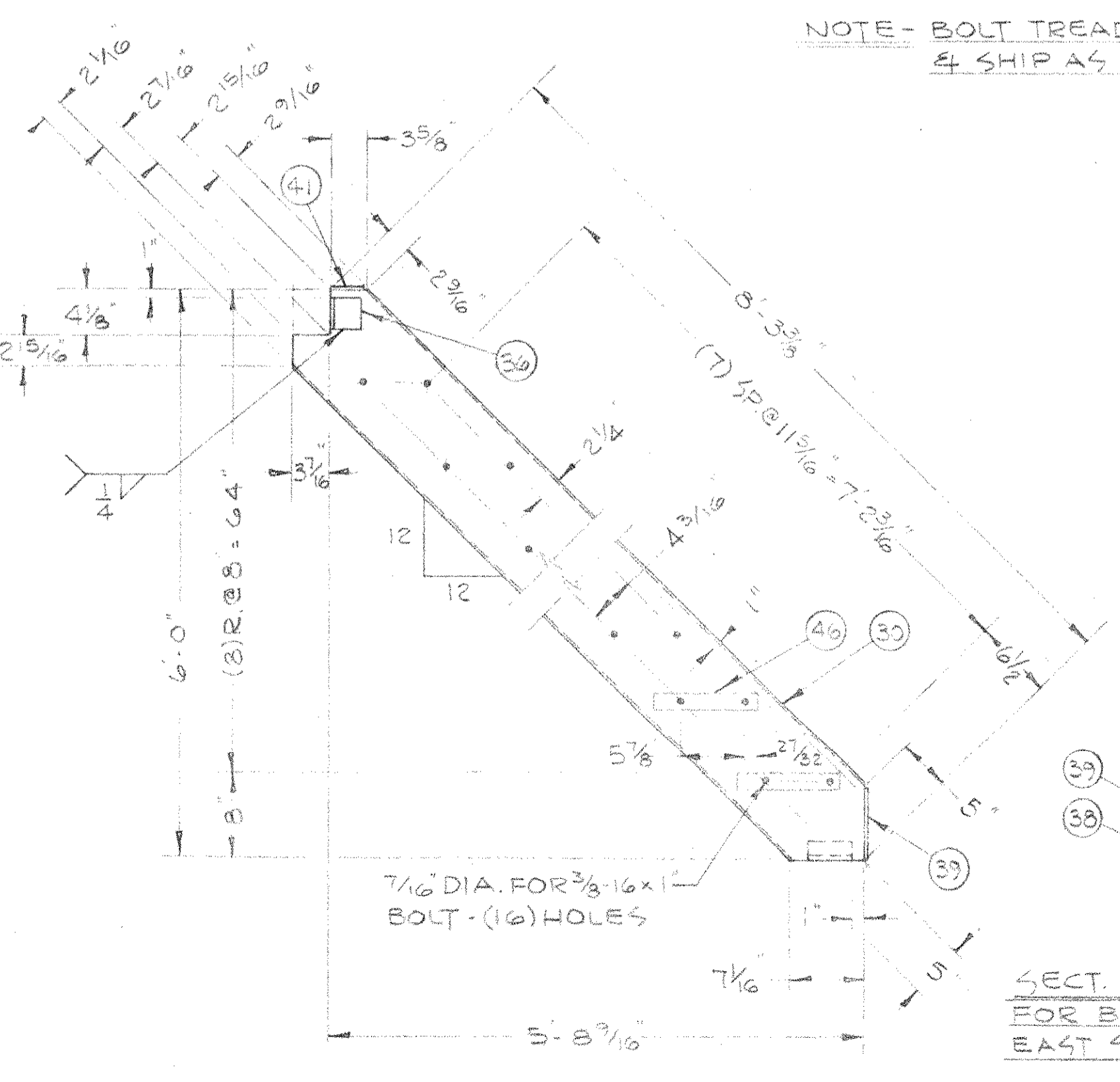


SECT C-C - WEST SIDE
SECT D-D - EAST SIDE
STAIRWAY W-1
SCALE - 1" = 1'-0"

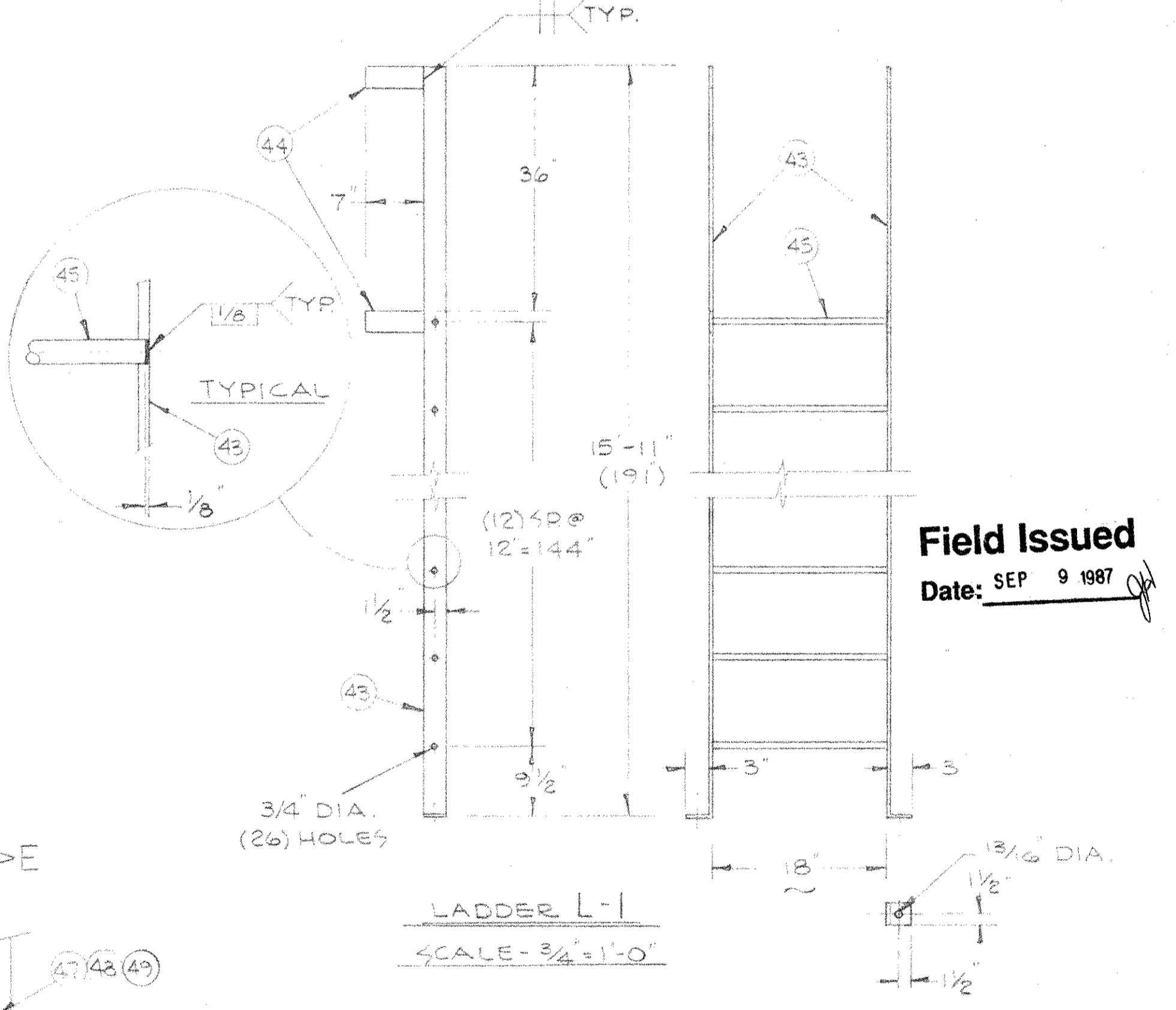
NOTE - BOLT TRENDS TO STRINGERS & SHIP AS A UNIT



DETAIL "B"
SCALE - 1/2" = 1'-0"



SECT E-E - TYPICAL
FOR BOTH WEST & EAST SIDES.
STAIRWAY W-2
SCALE - 1" = 1'-0"



LADDER L-1
SCALE - 3/4" = 1'-0"

ISSUED FOR CONSTRUCTION
AUTH. SIG. [Signature] DATE 9/3/87

GROUP	ITEM	PART	DESCRIPTION	
02	01	27	C6 x 10 S ² x 53 1/16	
1	1	28	C6 x 10 S ² x 26	
2	2	29	MC10 x 8 1/4 x 18'-2 3/16 GALV.	
2	2	30	MC10 x 8 1/4 x 8'-3 3/8 GALV.	
2	2	31	L 3 x 3 x 1/2 x 26	
1	1	32	L 3 x 3 x 1/2 x 43	
1	1	33	L 3 x 3 x 1/2 x 51 1/4	
1	1	34	L 3 x 3 x 1/2 x 26	
4	4	35	L 3 x 3 x 1/2 x 3	
2	2	36	L 3 x 3 x 1/2 x 3	
2	2	37	L 2 x 2 x 1/2 x 29	
2	2	38	L 1 1/2 x 1 1/2 x 1/2 x 4	
2	2	39	1/4 x 1 1/4 F.B. x 7	
2	2	40	1/4 x 1 1/4 F.B. x 4 7/8	
2	2	41	1/4 x 1 1/4 F.B. x 3 3/8	
2	2	42	1/4 x 1 1/4 F.B. x 2 1/2	
2	2	43	3/8 x 3 F.B. x 16'-2	
4	4	44	3/8 x 3 F.B. x 7	
13	13	45	3/4 O.H.R.S. x 18 1/2	
25	25	46	"OPEN-GRIP" STAIR TREAD - 9 1/2 x 25 x 1 1/2 - STD. - GALVANIZED STEEL	
100	00	47	3/8 - 16 x 1" HEX. BOLT	
100	00	48	3/8 - 16 HEX. NUT	
100	00	49	3/8 SPLIT SPEG LOCK WASHER	
A	40	48	50	HILTI "KWIK-BOLT" No. 5500094-34-424 (3/4" x 4 3/4")
A	1	1	51	2 x 3 x 1/4 W x 46 1/4 MECH. TUBE
A	2	2	52	L 2 x 3 x 1/4 x 3

Field Issued
Date: SEP 9 1987

TOLERANCES:
NORMAL:
EXCEPT AS NOTED.
HOLE LOCATION DIMENSIONS MUST BE HELD TO:

HARFORD	4805	01,02	5104		
PROJ. NAME	PROJ. NO.	GRP.	B/M	D/L	NEXT HIGHER ASSY

THIS DRAWING IS THE PROPERTY OF CONSUMAT SYSTEMS, INC. AND IS TO BE USED ONLY FOR THE PROJECT AND ORDER FOR WHICH IT WAS PREPARED. IT IS NOT TO BE REPRODUCED, COPIED, REPRODUCED, LOANED OR USED IN ANY MANNER WITHOUT WRITTEN PERMISSION OF CONSUMAT SYSTEMS, INC.

Consumat Systems, Inc.
RICHMOND, VIRGINIA U.S.A.

TITLE: ACCESS PLATFORM W/WALKWAY
DETAILS, STAIRWAYS & LADDER

DR	EAS
DATE	8-17-87
CHK	
DATE	
APP	
DATE	
APP	
DATE	

SCALE	AS SHOWN	SIZE	D	DWG. NO.	D-44-0229	REV	A
REFERENCE							
DO NOT SCALE				SHEET	3 OF 4		

REV	DESCRIPTION	DATE	DR	CHK	APP	APP
A	ITEMS 51, 52 & DIMS ADD.	9-2-87	EAS			
	ITEM 50 - QUAN. CHG'D					