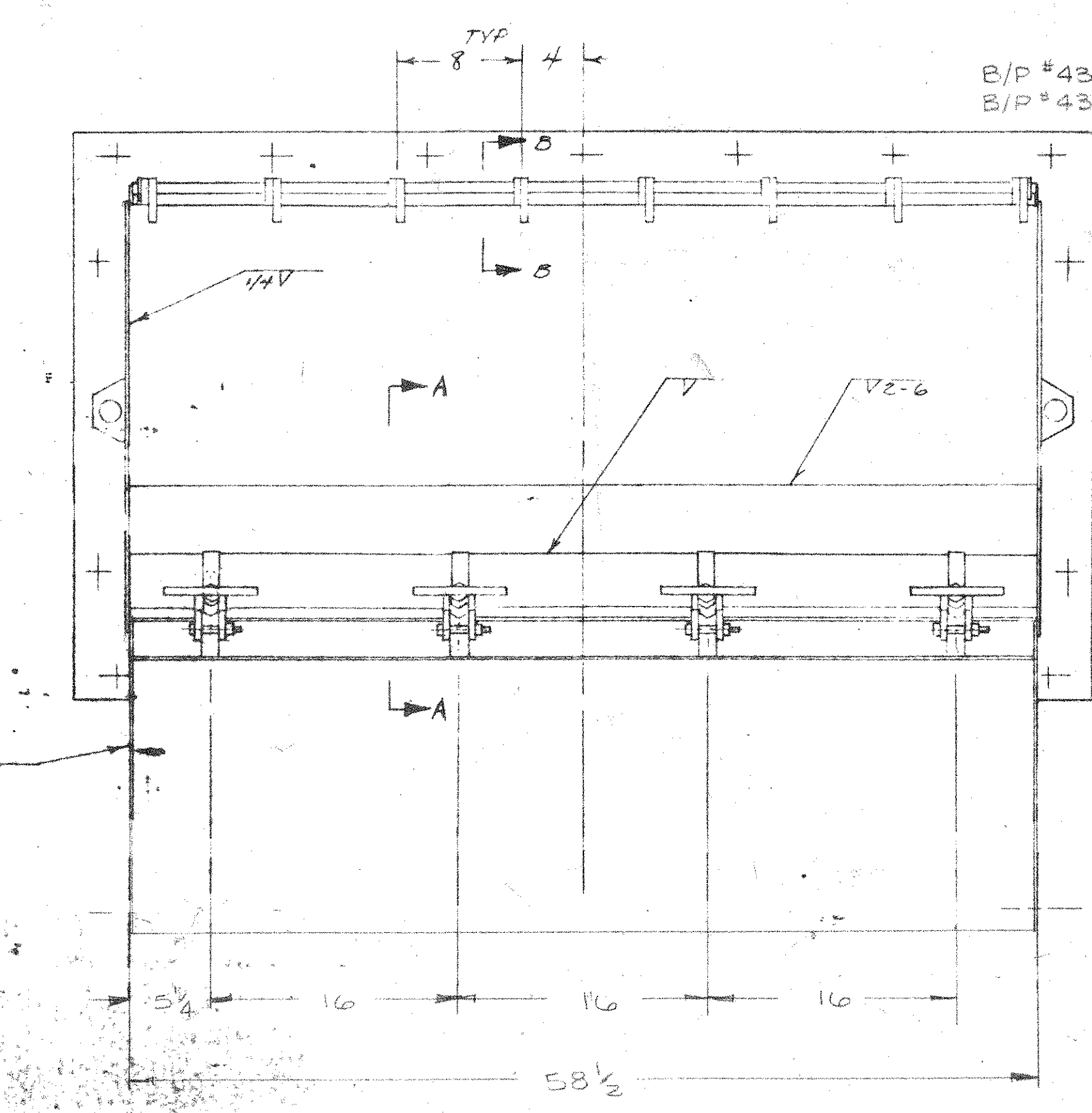
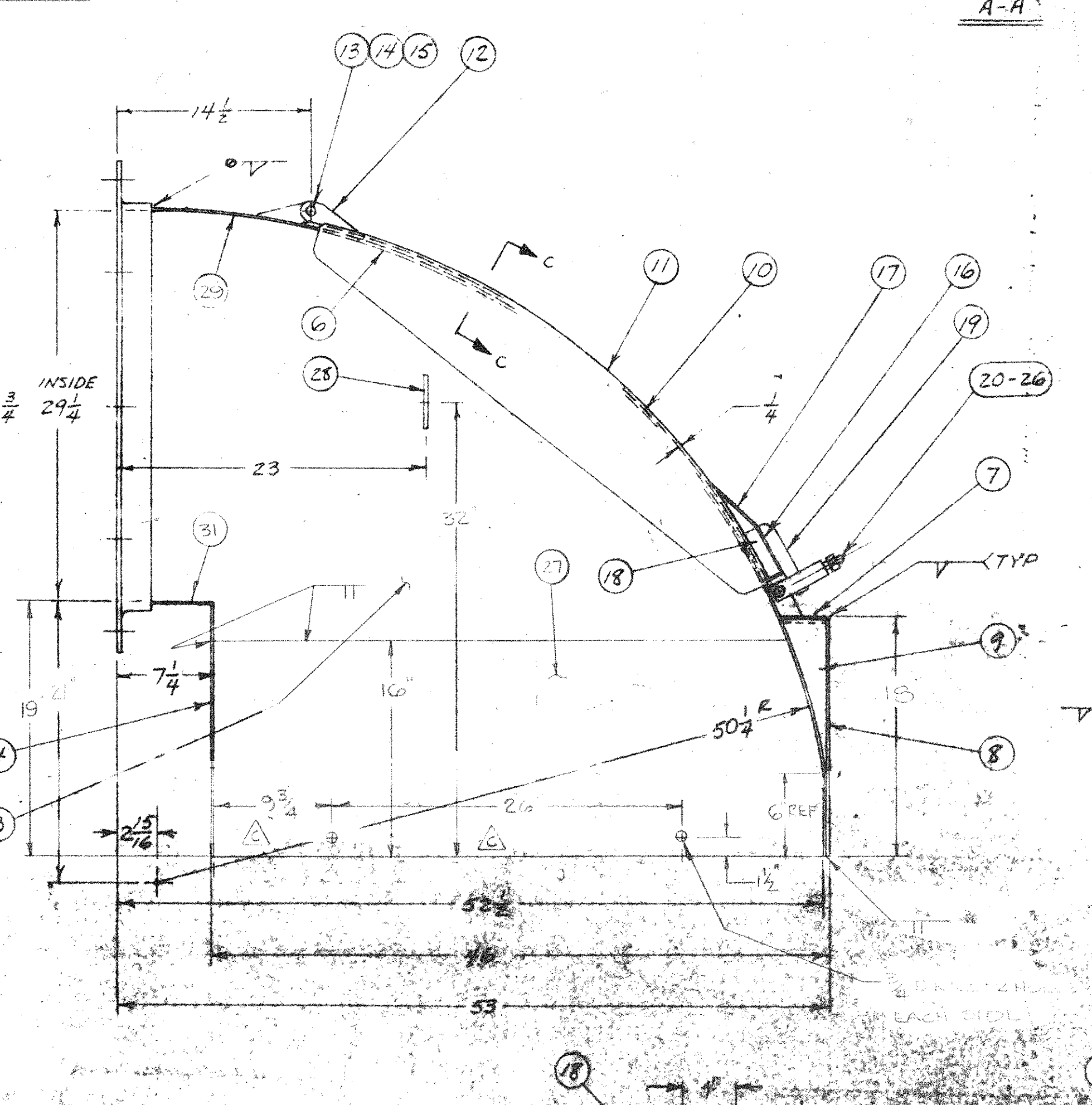
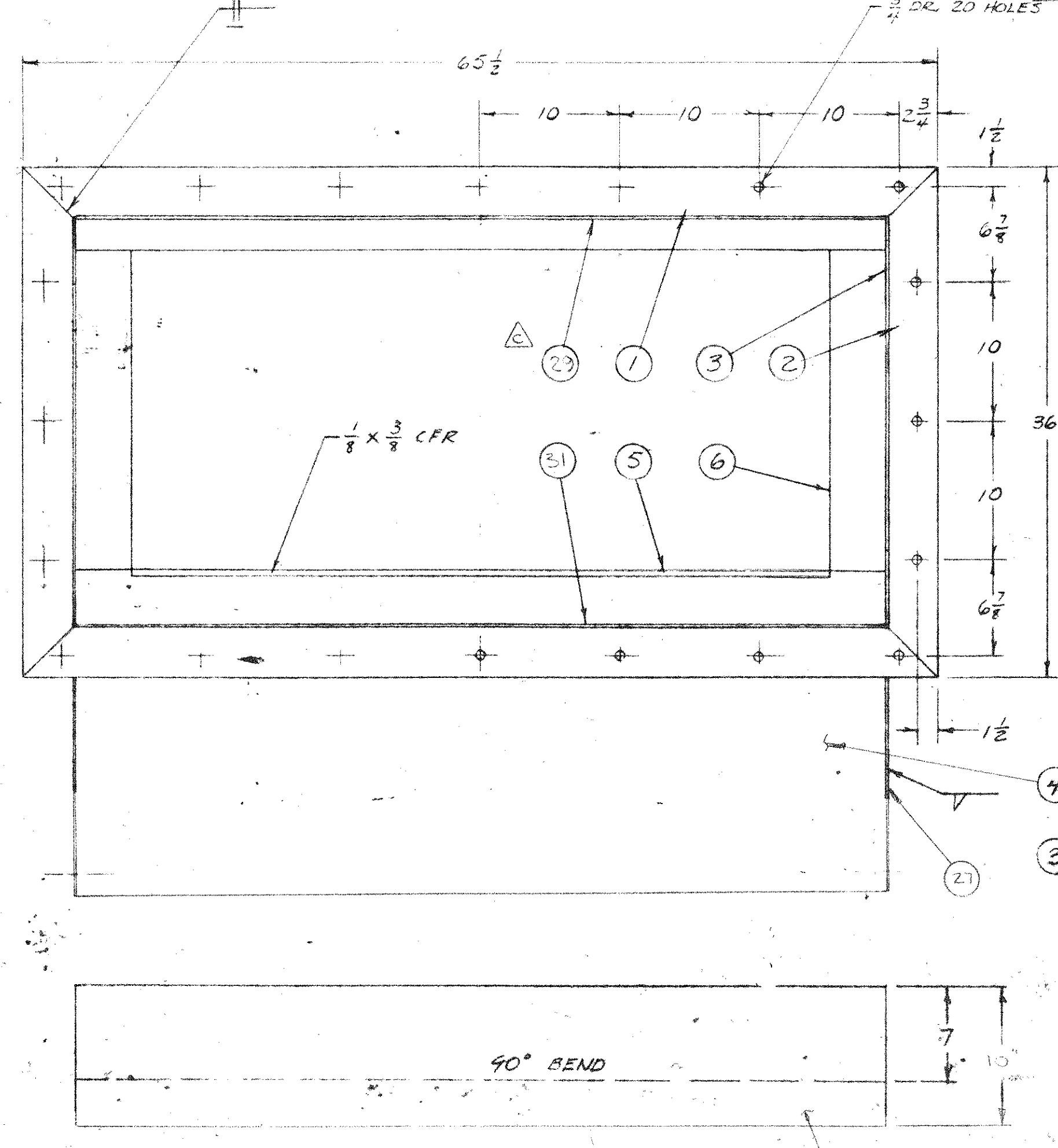


ITEM	DESCRIPTION	QTY	NOTE
1	L 3/2 x 2 1/2 x 3/8 x 65 1/2	2	
2	" " " " x 36 3/4	2	
3	1/4 x 32 1/4 x 52 1/2 CORTEN	2	
4	1/4 x 16 x 58	304 S.S.	1
5	1/4 x 24 x 58	304 S.S.	1
6	1/4 x 4 x 38 CORTEN	2	
7	1/2 x 3 x 58 HRS	1	
8	1/4 x 17 3/4 x 58	304 S.S.	1
9	1/4 x 5 x 11 3/4	304 S.S.	2
10	1/4 x 44 x 58 3/4 CORTEN	1	
11	1/4 x 8 x 43 CORTEN	2	
12	1/2 x 1 1/2 x 4 3/4	304 S.S.	16
13	3/4 RD x 59	304 S.S.	1
14	3/4 FL. WASH.	2	
15	5/32 x 1 1/2 CUTTER PIN	2	
16	1/4 x 5 1/4 x 58 3/8	1	
17	1/4 x 6 x 58 3/8 CORTEN	1	
18	1/4 x 1 1/4 x 8 CORTEN	2	
19	1 x 1 x 15 7/8	4	
20	3/4 x 1 3/4 x 3	4	
21	3/8 x 1 1/2 x 4 1/4	8	
22	3/4 HVY NUT	4	
23	5/4 x 2 HEX SCR	4	
24	5/15 RD x 6	4	
25	5/8 x 3 HEX SCR	4	
26	5/8 FL. WASH. W/ 1 1/2 O.D.	12	
27	1/4 x 16 x 45 1/4	2	
28	LIFT LUG A-222-2041	2	
29	1/4 x 18 x 58 CORTEN	1	
30	STOP NUT	4	
31	1/4 x 10 1/4 x 58 CORTEN	1	



B/P #432 FOR ITEM 11
B/P #433 FOR ITEM 12

DESIGNED	P4305	GROUP	D/L	B/M
CHECKED		CS-4000 ASH EJECTOR SHROUD		
DATE		GARD 4-18-86		
REVISED		D-22K-0016		