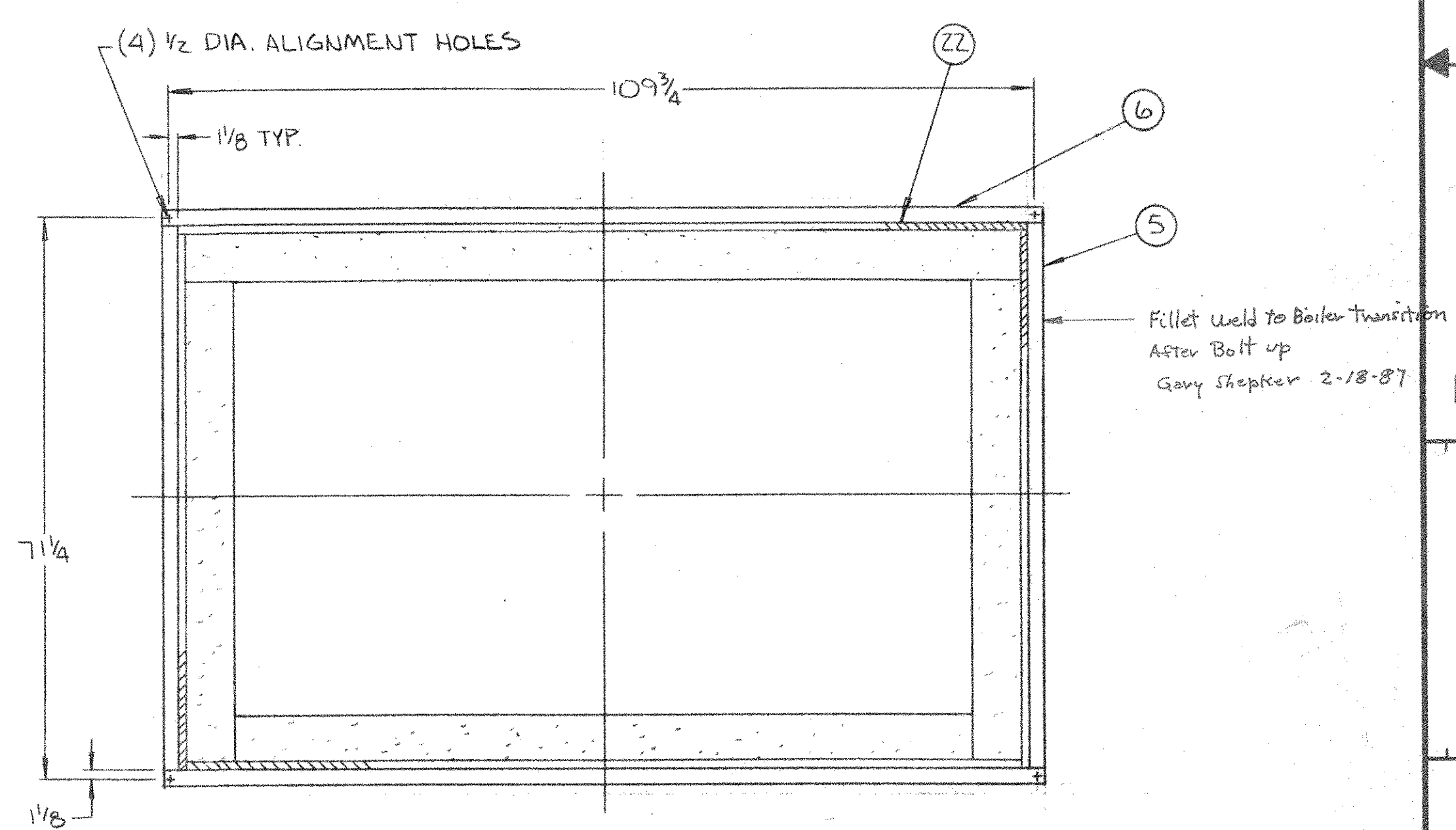
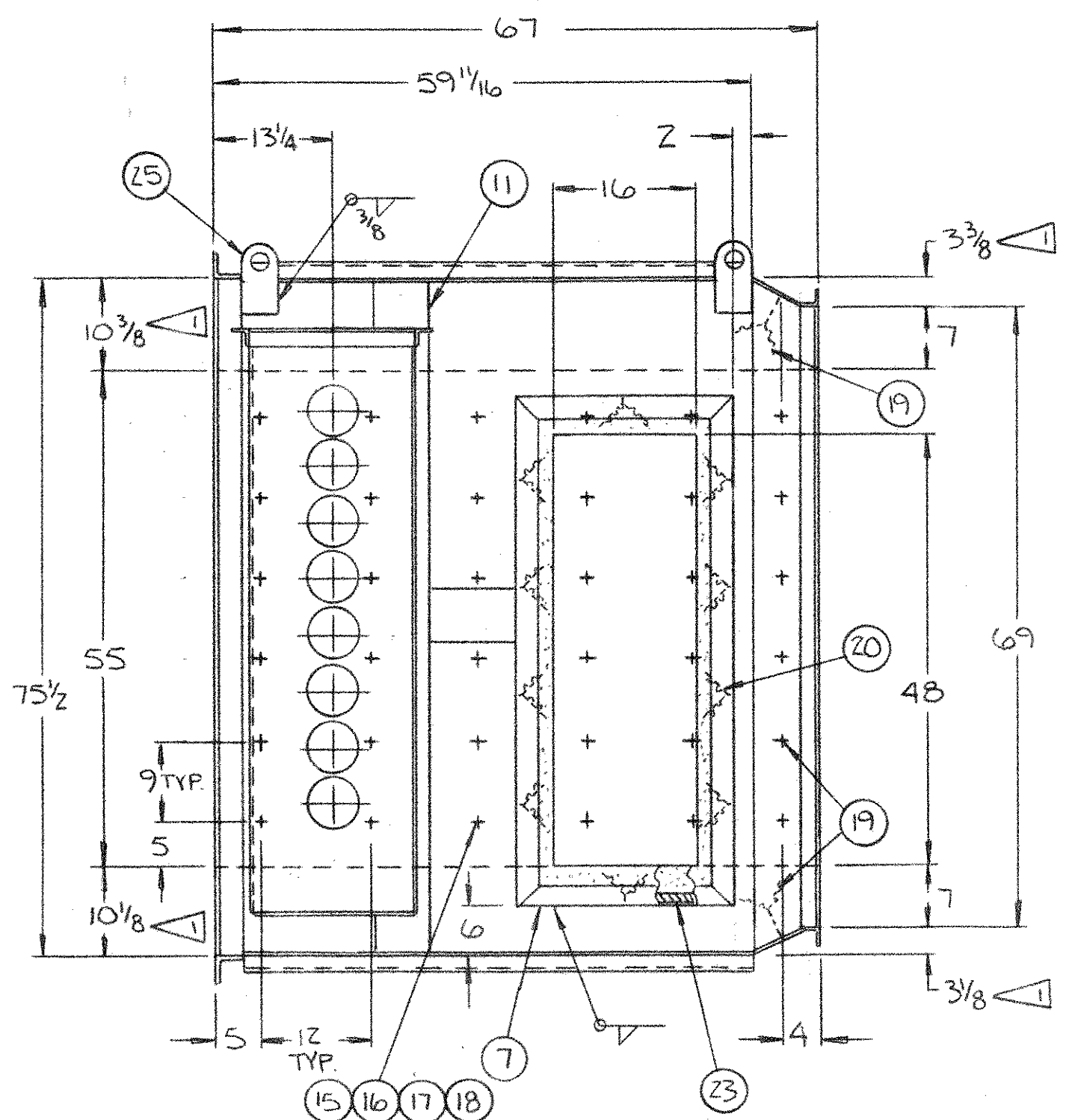
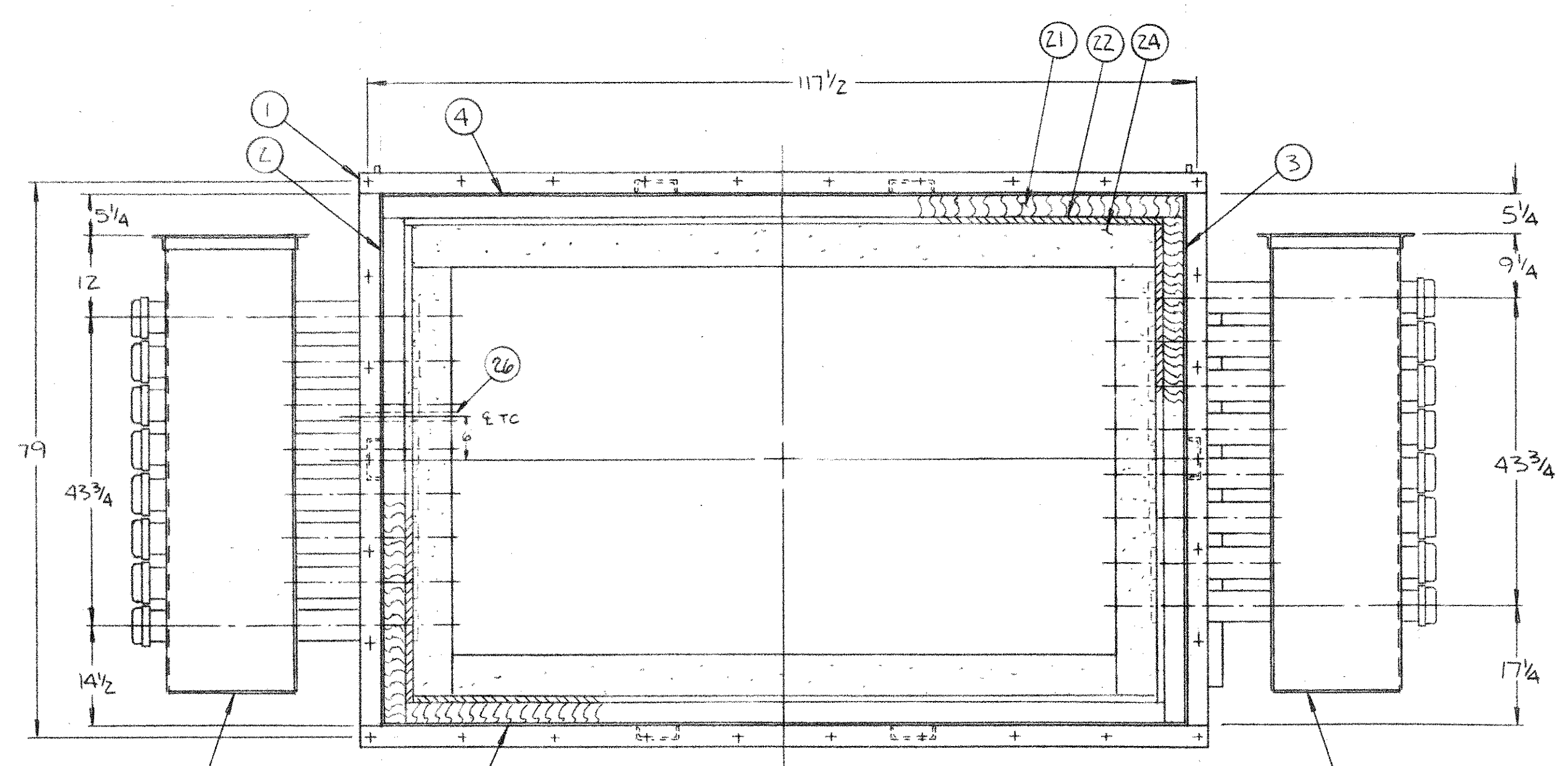
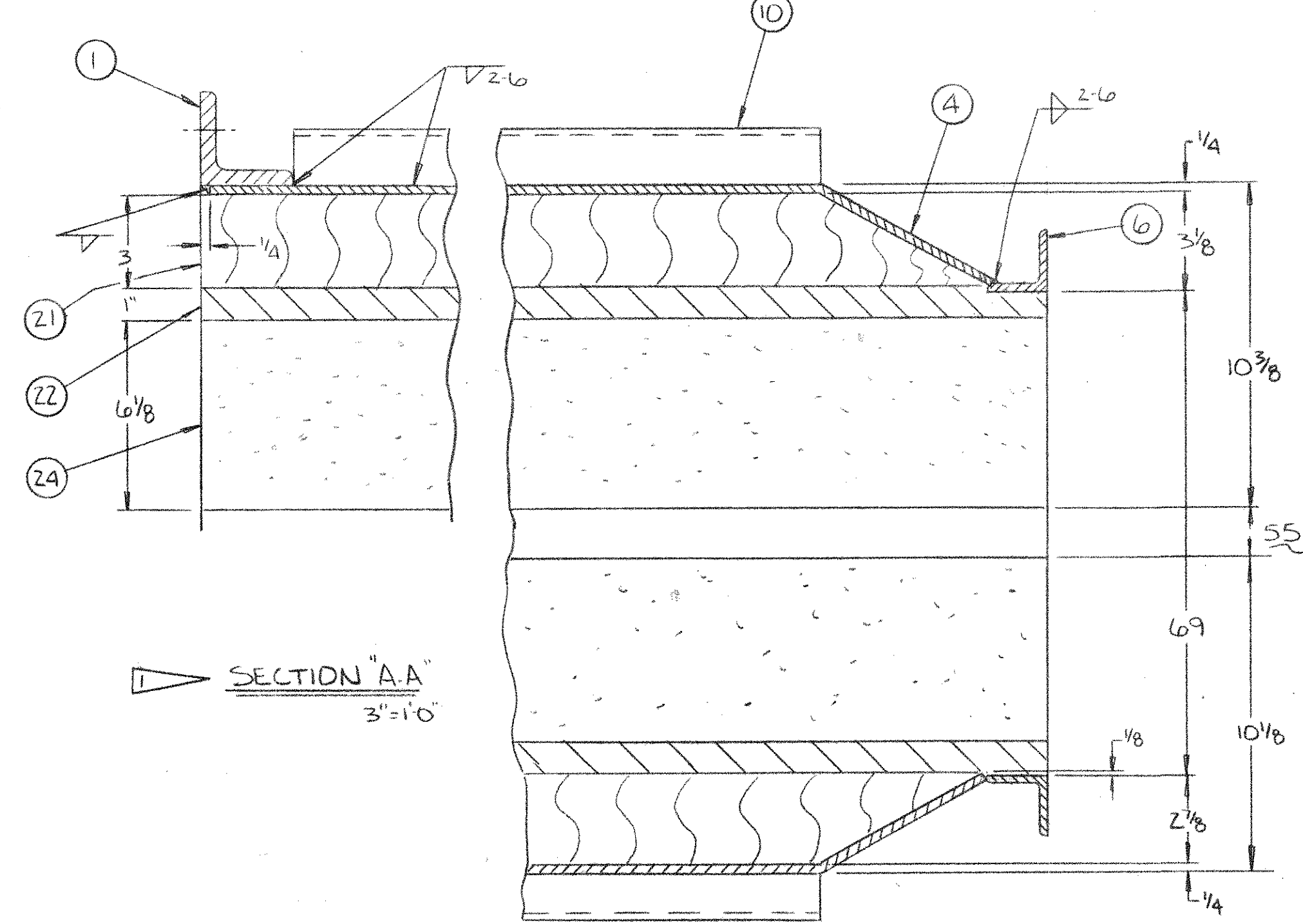
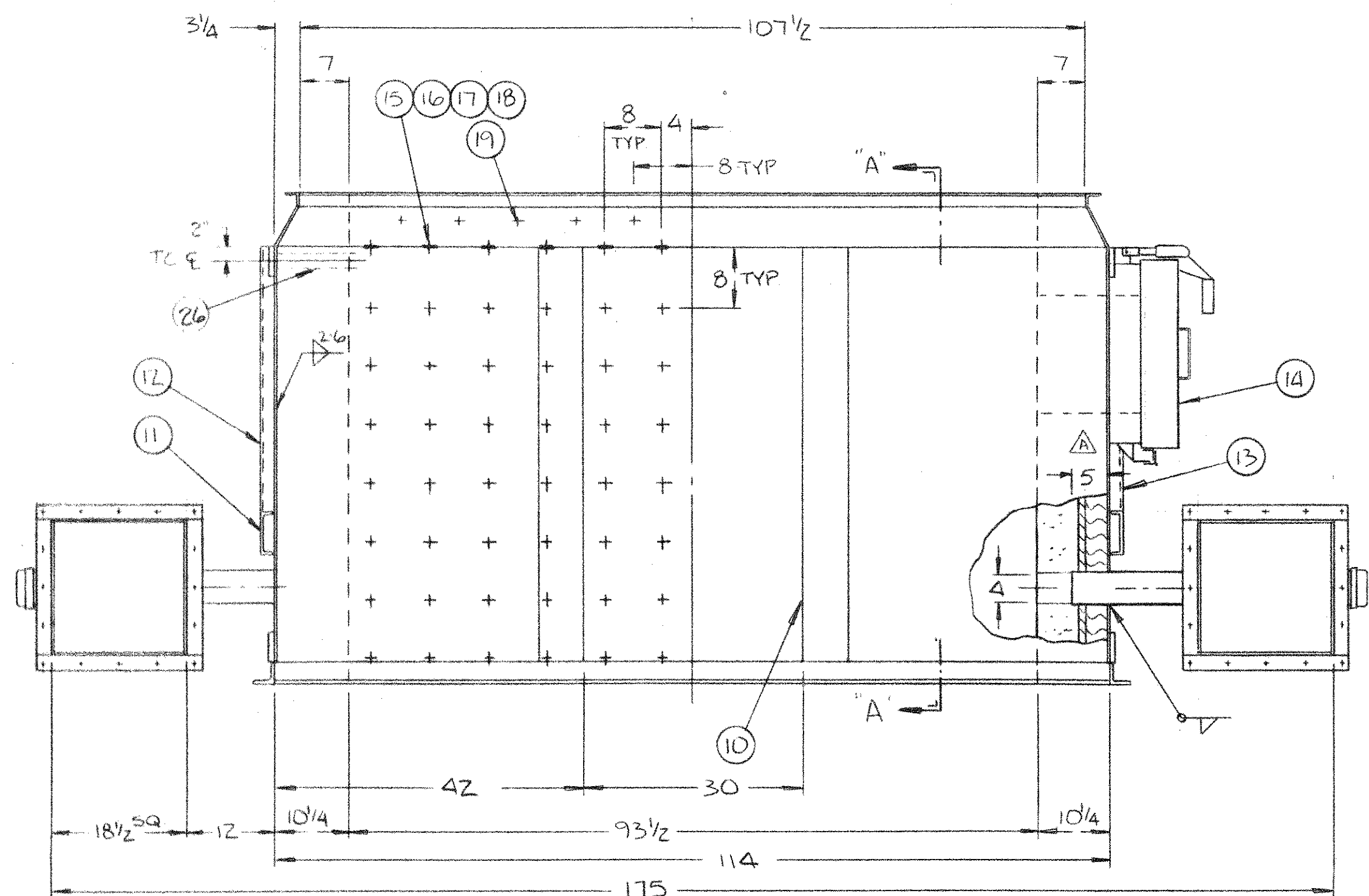
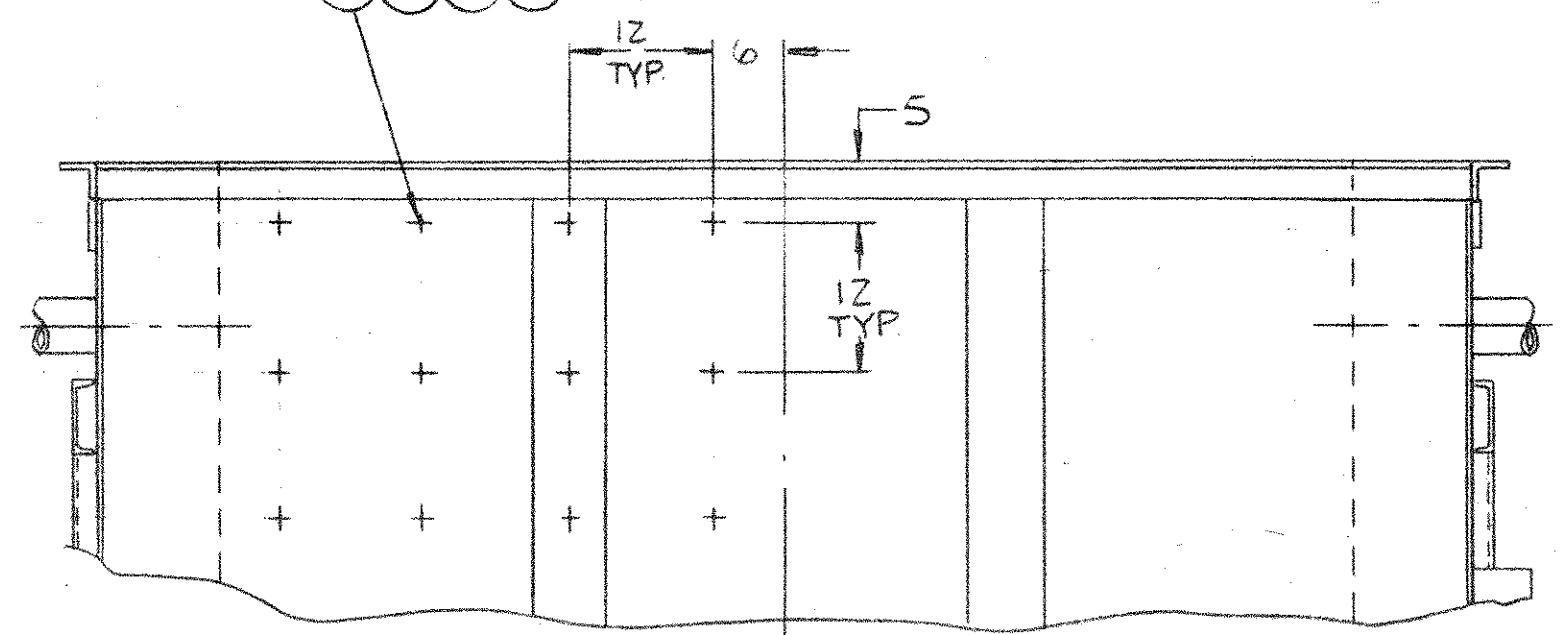


GROUP		PARTS LIST		
02	01	ITEM	PART	DESCRIPTION
1	1	D 26G-0022-G03		FLANGE
1	2	A 26N-0012-P01		SIDE PLATE
1	3	A 26N-0012-P02		SIDE PLATE
2	4	A 26N-0012-P03		TOP & BOTTOM PLATE
2	5			L2 x 2 x 1/4 x 69
2	6			L2 x 2 x 1/4 x 111 1/2
1	7	C 16E-0009-G01		16 x 48 DOOR JAMB
1	8	C 26N-0011-G01		AIR MANIFOLD
1	9	C 26N-0011-G02		AIR MANIFOLD
4	10			C6 x 10.5# x 56 1/16
2	11			C6 x 10.5# x 75 1/2
1	12			C6 x 10.5# x 36
1	13			C6 x 10.5# x 9 3/4
1	14	C 16A-0005-G01		16 x 48 INSPECTION DOOR ASSY
184	15			3/8-16 x 5 HEX BOLT S.S.
184	16			4" ROD TYPE ANCHOR S.S.
368	17			3/8-16 HEX NUT S.S.
368	18			3/8 FLATWASHER S.S.
30	19			7" REFRACTORY ANCHOR
10	20			4" REFRACTORY ANCHOR
170ft²	21			3" INSBLOCK-19 INSULATION
160ft²	22			1" DURABOARD LD INSULATION
6ft²	23			1" MONOBLOCK INSULATION
100cw	24			P.LICAST K.L MIX REFRACTORY
4	25	A 22-0353-G01		LIFT LUG
1	26			1/4" PIPE COUPLING



BOILER MATING FLANGE
ABCO D-8628 33-1

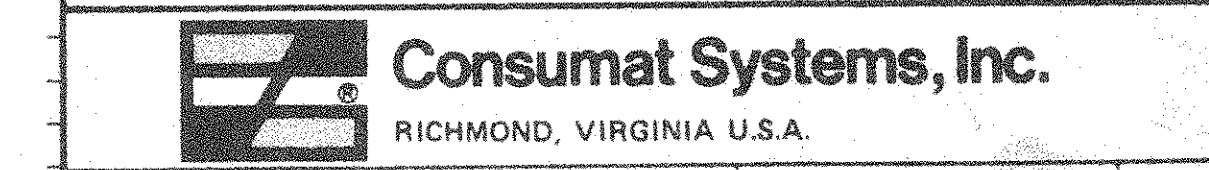
55" REFRACTORY BORE AND BOILER FLANGE (ITEM 5,6) OFFSET DOWN 1/8" TO MATCH ABCO BOILER FLANGE. THE SUPPORT BEAMS FOR THE HGD BOILER TEE AND STRAIGHT SECTIONS WERE TALLER THAN 10 1/8 HT. AS RECEIVED FROM SUPPLIER.



THIS DRAWING IS THE PROPERTY OF CONSUMAT SYSTEMS INC. AND IS NOT TO BE USED ONLY FOR PRODUCING ITEMS ON ORDER FOR CONSUMAT SYSTEMS INC. SUBJECT TO RETURN UPON DEMAND AND IS NOT TO BE PRINTED, PHOTOGRAPHED, COPIED, REPRODUCED, LOANED OR USED IN ANY MANNER WITHOUT WRITTEN PERMISSION OF CONSUMAT SYSTEMS INC.

HARFORD	P.4805	01	4596	3795	
CSI PROCESS SPEC NUMBER		GROUP	B/M	D/L	NEXT HIGHER ASSY

BOILER TRANSITION
HOT GAS DUCT CS-3000E



SCALE 3/4"=1'-0"	DRAWN COTT	DRAWING NO.
DATE 09 08 86	CHK LPL 9/9/86	D-26N-0013
NO.	REVISION	DATE
		BY

