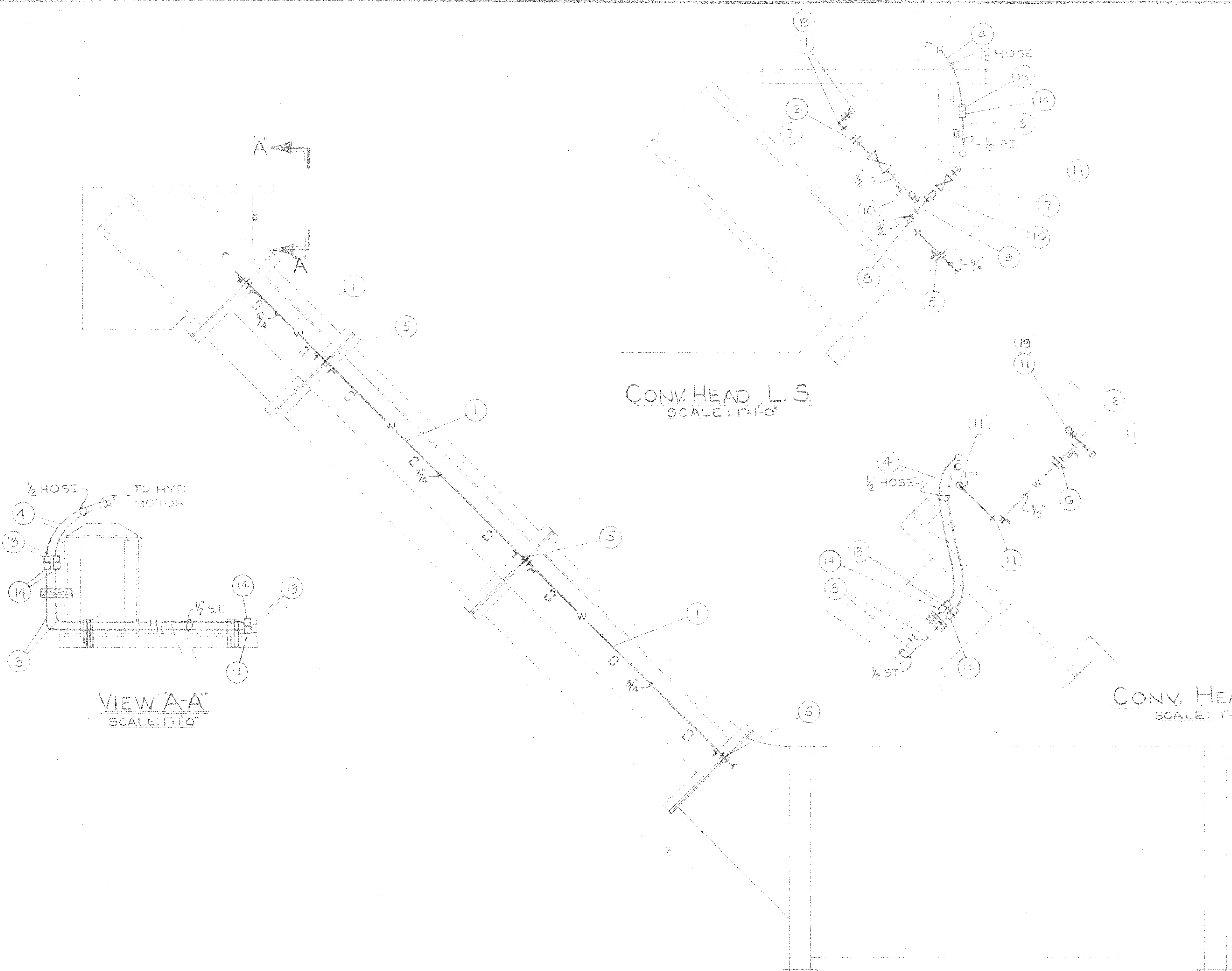
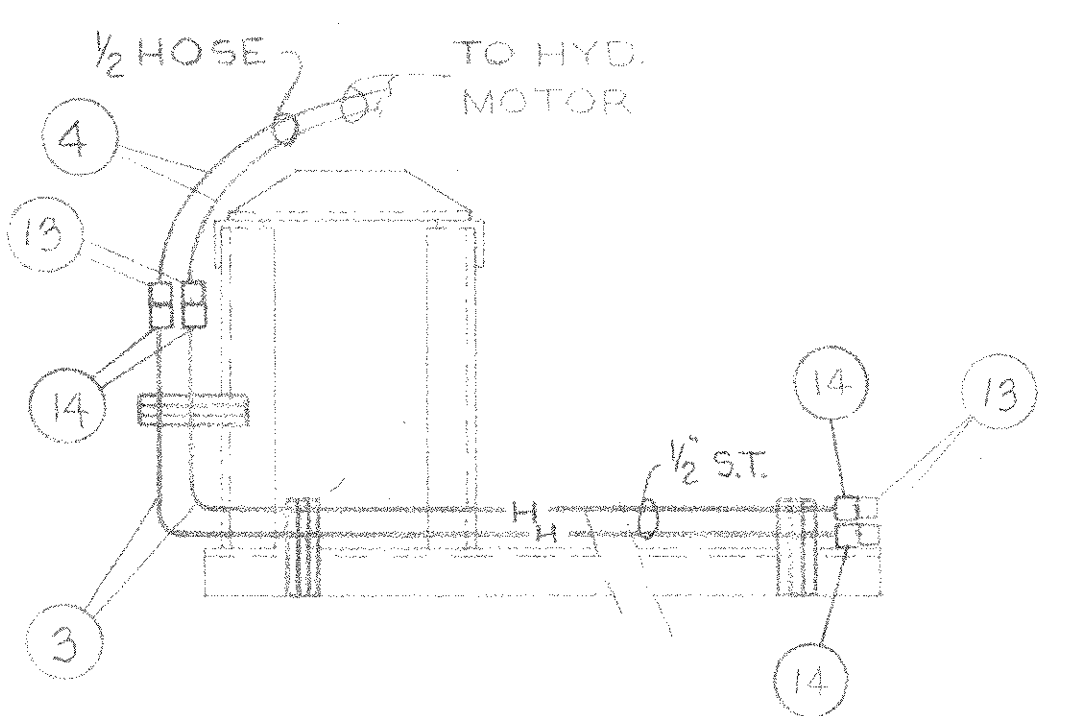


GROUP		PARTS LIST		
Q2	Q1	ITEM	PART	DESCRIPTION
AR	1			3/4" PIPE, BLACK, STL
AR	2			1/2" PIPE, BLACK, STL
AR	3			1/2" OD. ST STL TUBING
AR	4	211-8		1/2" HOSE, HYD. STRATOFLEX
	4	5		3/4" UNION THD.
	2	6		1/2" UNION THD.
	2	7		1/2" GATE VALVE
	2	8		3/4" 45° ELBOW, THD.
	1	9		3/4" TEE, THD.
	2	10		3/4x1/2" REDUCER, THD.
	7	11		1/2" ELBOW, THD.
	1	12		1/2" TEE, THD.
	8	13	JSN 416-B-85	HOSE FITTG, STRATOFLEX
	6	14	SB10-G-8AN	CONNECTOR 1/2" TX 3/4" AN SWG K
		15		SPRAY NOZZLE
22	16	100050 (1/2")		CUSHION CLAMP, HYDRA-ZORB
	7	17		U-BOLT - 3/4" PIPE, W/NUTS
	3	18		U-BOLT - 1/2" PIPE, W/NUTS
	3	19	H 3/8 U6S15-30	NOZZLE, SPRAYING SYSTEM
	3	20		1/2x3/8" REDUCER



CONV. HEAD L.S.  
SCALE: 1"=1'-0"

CONV. HEAD R.S.  
SCALE: 1"=1'-0"



VIEW "A-A"  
SCALE: 1"=1'-0"

LEGEND  
 — W — WATER LINE  
 — H — HYDRAULIC LINES

CSI PROCESS SPEC	NUMBER	GROUP	B/M	D/L	NEXT HIGHER ASSY
------------------	--------	-------	-----	-----	------------------

CONTROL PIPING  
ASH CONVEYOR

**Consumat Systems, Inc.**  
RICHMOND, VIRGINIA U.S.A.

SCALE 1/2"=1'-0"	DRAWN C.P. Sturgis	DRAWING NO.
DATE 5/78	CHK	
DO NOT SCALE	APPR.	SHEET 1 OF 1

THIS DRAWING IS THE PROPERTY OF CONSUMAT SYSTEMS INC. AND IS TO BE USED ONLY FOR PRODUCING ITEMS OR ORDER FOR CONSUMAT SYSTEMS INC. SUBJECT TO RETURN UPON DEMAND AND IS NOT TO BE PRINTED, PHOTOGRAPHED, COPIED, REPRODUCED, LOANED OR USED IN ANY WAY WITHOUT WRITTEN PERMISSION OF CONSUMAT SYSTEMS INC.

NO.	REVISION	DATE	BY
-----	----------	------	----