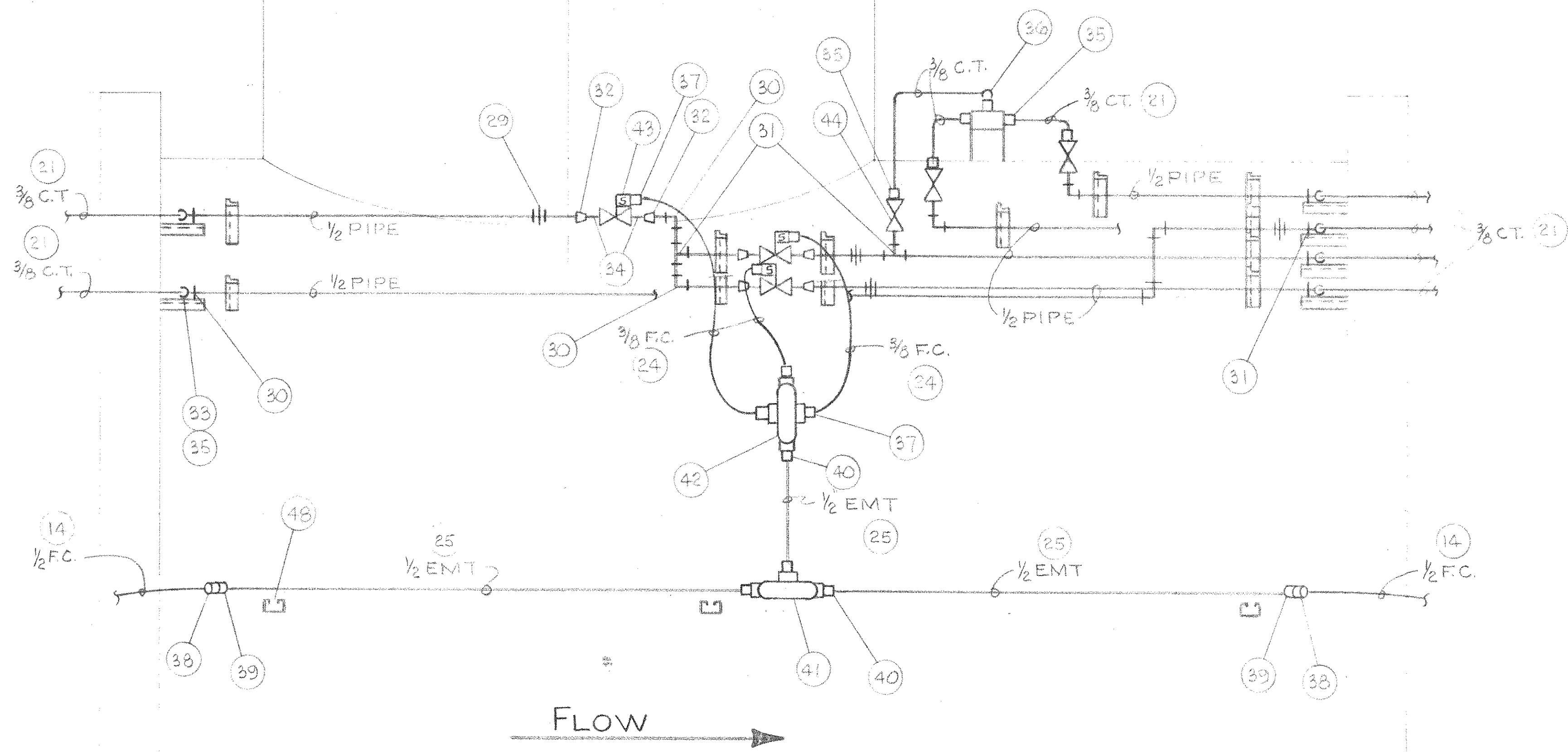


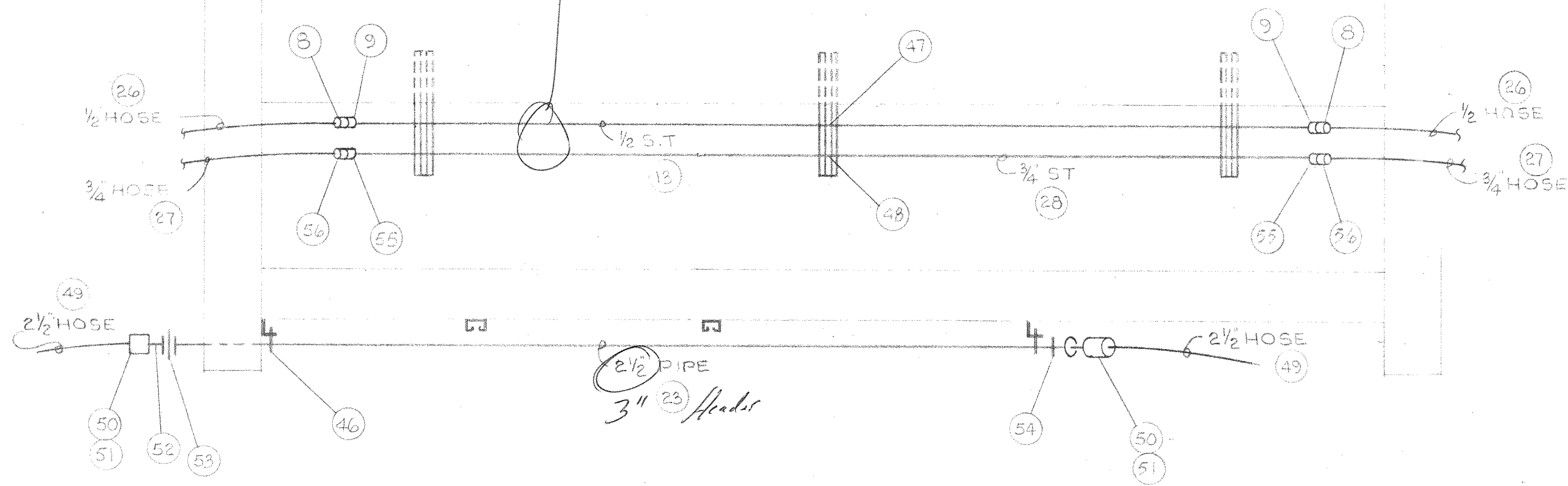
GROUP			PARTS LIST		
Q2	Q1	ITEM	PART	DESCRIPTION	

SEE SHEET NO.1



FLOW →

Harbord, Co.



CSI PROCESS SPEC	NUMBER	GROUP	B/M	D/L	NEXT HIGHER ASSY
------------------	--------	-------	-----	-----	------------------

CONTROL PIPING
SHELL NO. 2
ELEVATION RIGHT SIDE

Consumat Systems, Inc.
RICHMOND, VIRGINIA U.S.A.

SCALE 1/8" = 1"	DRAWN CPSturgis	DRAWING NO.
DATE 5/3/85	CHK	
DO NOT SCALE	APPR.	SHEET 2 OF 2

THIS DRAWING IS THE PROPERTY OF CONSUMAT SYSTEMS INC. AND IS TO BE USED ONLY FOR PRODUCING ITEMS ON ORDER FOR CONSUMAT SYSTEMS INC. SUBJECT TO RETURN UPON DEMAND AND IS NOT TO BE PRINTED, PHOTOGRAPHED, COPIED, REPRODUCED, LOANED OR USED IN ANY WAY WITHOUT WRITTEN PERMISSION OF CONSUMAT SYSTEMS INC.

NO.	REVISION	DATE	BY	REV.
-----	----------	------	----	------

8 7 6 5 4 3 2 1