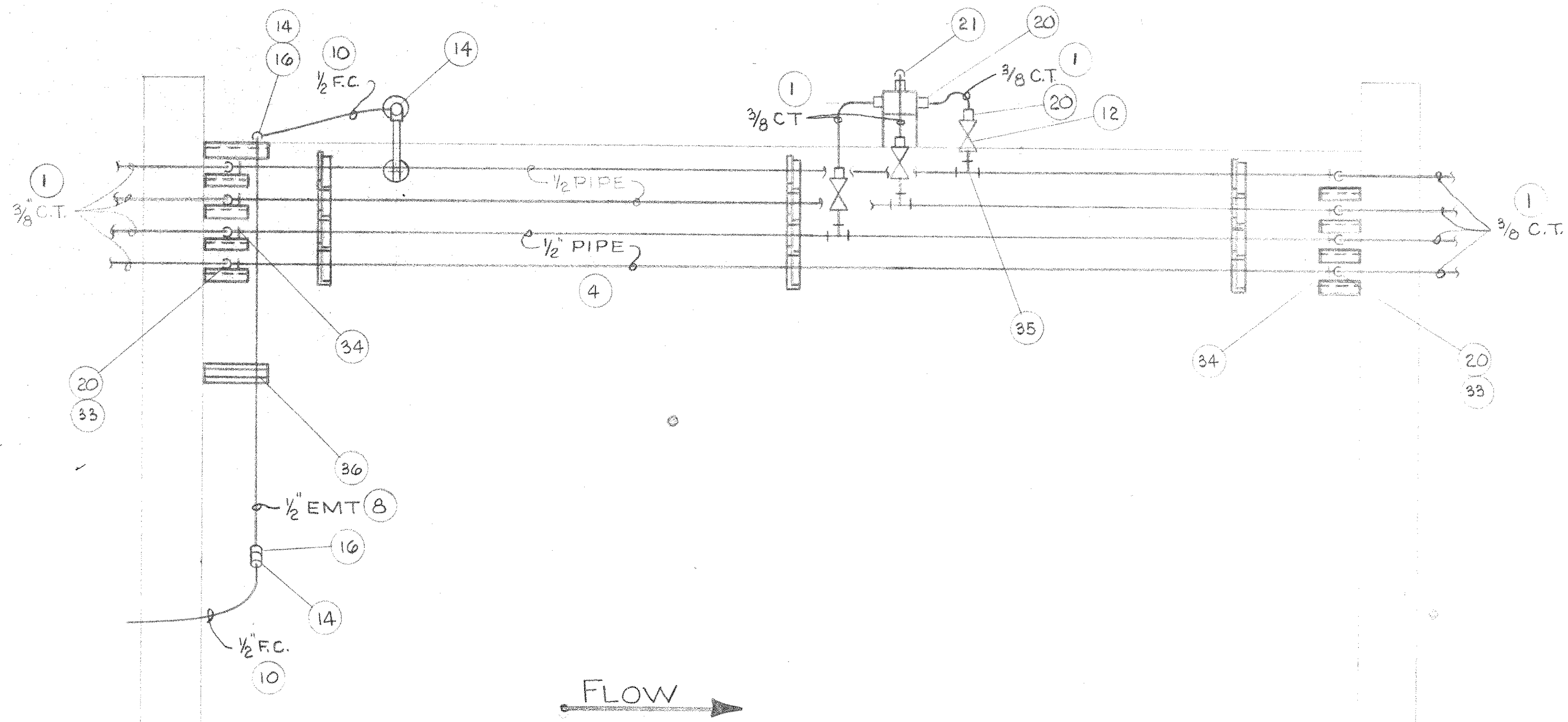
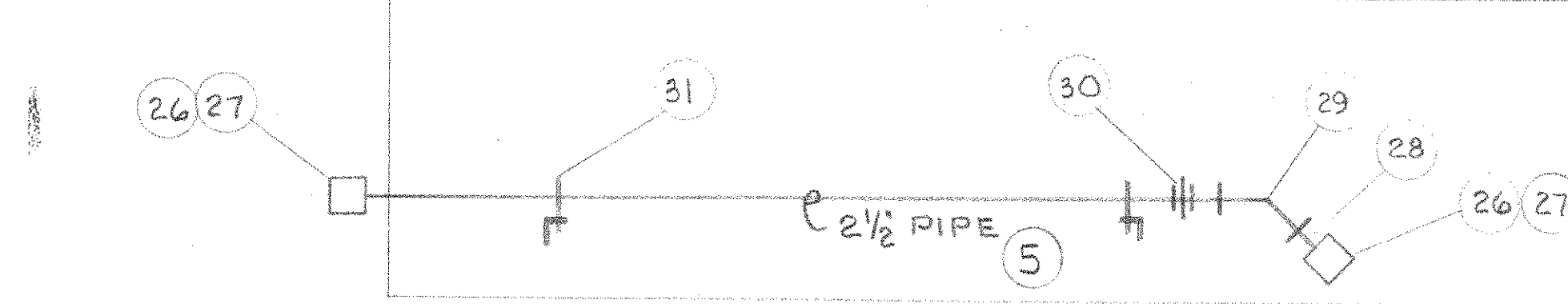
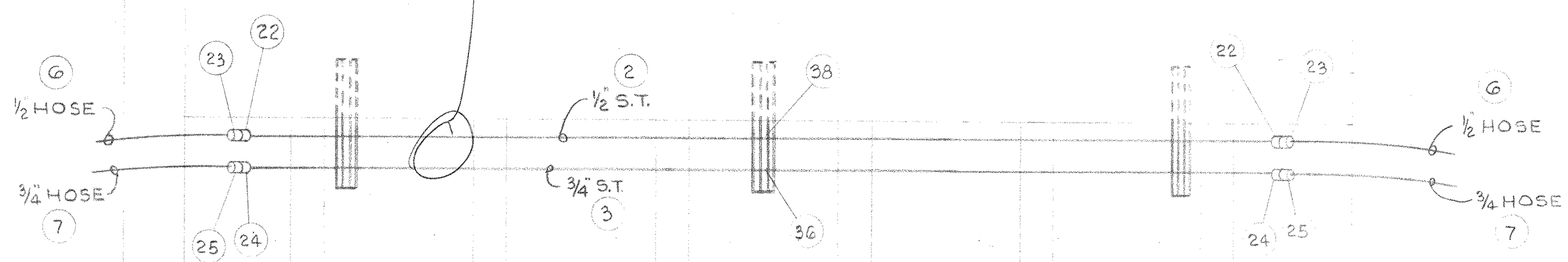


GROUP		PARTS LIST		
02	01	ITEM	PART	DESCRIPTION
AR	1			3/8 OD x WALL COPPER TUBE
AR	2			1/2 OD x .035 WALL ST. STL. TUBE
AR	3			3/4 OD x .049 WALL ST. STL. TUBE
AR	4			1/2 PIPE - SCH 40 - BLACK - STL.
AR	5			2 1/2 PIPE - SCH 40 - BLACK - STL.
AR	6	211-8		1/2 HYD. HOSE - STRATOFLEX
AR	7	211-12		3/4 HYD. HOSE - STRATOFLEX
AR	8			1/2" EMT
AR	9			1" EMT
AR	10			1/2" LIQ. TITE FLEX. CONDUIT
AR	11			1" LIQ. TITE FLEX. CONDUIT
3	12			1/2" GATE VALVE
2	13	ST-100		1" FLEX. COND. CONN. STR.
7	14	ST-50		1/2" FLEX. COND. CONN. STR.
2	15	TWR-100		1" EMT x 1" RMC COUPLING
3	16	TWR-50		1/2" EMT x 1/2" RMC COUPLING
1	17			1/2" EMT CONN. STR.
2	18			1" EMT CONN. STR.
1	19			1" x 1/2" THREADED REDUCER
13	20	SG00-1-8		CONN. 3/8 T x 1/2 MNPT SWAGLK
1	21	SG00-2-8		ELBOW 3/8 T x 1/2 MNPT SWAGLK
6	22	SB10-6-8AN		CONN. 1/2 T x 3/4 16AN - SWAGLK
6	23	416-8-85		1/2" HOSE FITTING - JSN - STRATO
2	24	51210-6-12AN		CONN. 3/4 T x 1 1/16 12AN - SWAGLK
2	25	417-12-125		3/4" HOSE FITTING - JSN - STRATO
2	26	M5-31 DIXON		2 1/2" HOSE COUPLING - STEM
2	27	B-30 DIXON		2 1/2" HOSE COUPLING - CLAMP
1	28			2 1/2" SHORT NIPPLE
1	29			2 1/2" ELBOW - 45° - THD.
1	30			2 1/2" UNION - THD.
2	31			U-BOLT - 2 1/2" PIPE - W/NUTS
20	32			U-BOLT - 1/2" PIPE - W/NUTS
2	33			1/2" PIPE COUPLING - THD.
8	34			1/2" PIPE - ELBOW - THD.
3	35			1/2" PIPE - TEE - THD.
6	36	100075		CUSHION CLAMP - HYDRAZORB
3	37	100125		CUSHION CLAMP - HYDRAZORB
9	38	100050		CUSHION CLAMP - HYDRAZORB
2	39	LSA7L		LIMIT SWITCH - MICROSWITCH
1	40	T100M		UNILET - 1" - TYPE "T" - W/COVER
1	41	T50M		UNILET - 1/2" - TYPE "T" - W/COVER
1	42			1/2" SHORT NIPPLE
1	43			4" ELBOW - WELD.
1	44			CONSUMAT DAMPER
AR	45			4" FLEX. DUCT - ST. STL.



*Harford, Co.*



THIS DRAWING IS THE PROPERTY OF CONSUMAT SYSTEMS INC. AND IS TO BE USED ONLY FOR PRODUCING ITEMS ON ORDER FOR CONSUMAT SYSTEMS INC. SUBJECT TO RETURN UPON DEMAND AND IS NOT TO BE PRINTED, PHOTODUPLICATED, COPIED, REPRODUCED, LOANED OR USED IN ANY WAY WITHOUT WRITTEN PERMISSION OF CONSUMAT SYSTEMS INC.

CSI PROCESS SPEC	NUMBER	GROUP	B/M	D/L	NEXT HIGHER ASSY
<b>CONTROL PIPING</b>					
SHELL NO.3					
ELEVATION RIGHT SIDE					
<b>Consumat Systems, Inc.</b>					
RICHMOND, VIRGINIA U.S.A.					
SCALE 1/8" = 1"	DRAWN C.P. Sturgis		DRAWING NO.		
DATE 5/24/85	CHK.	APPR.		SHEET 1 OF 2	