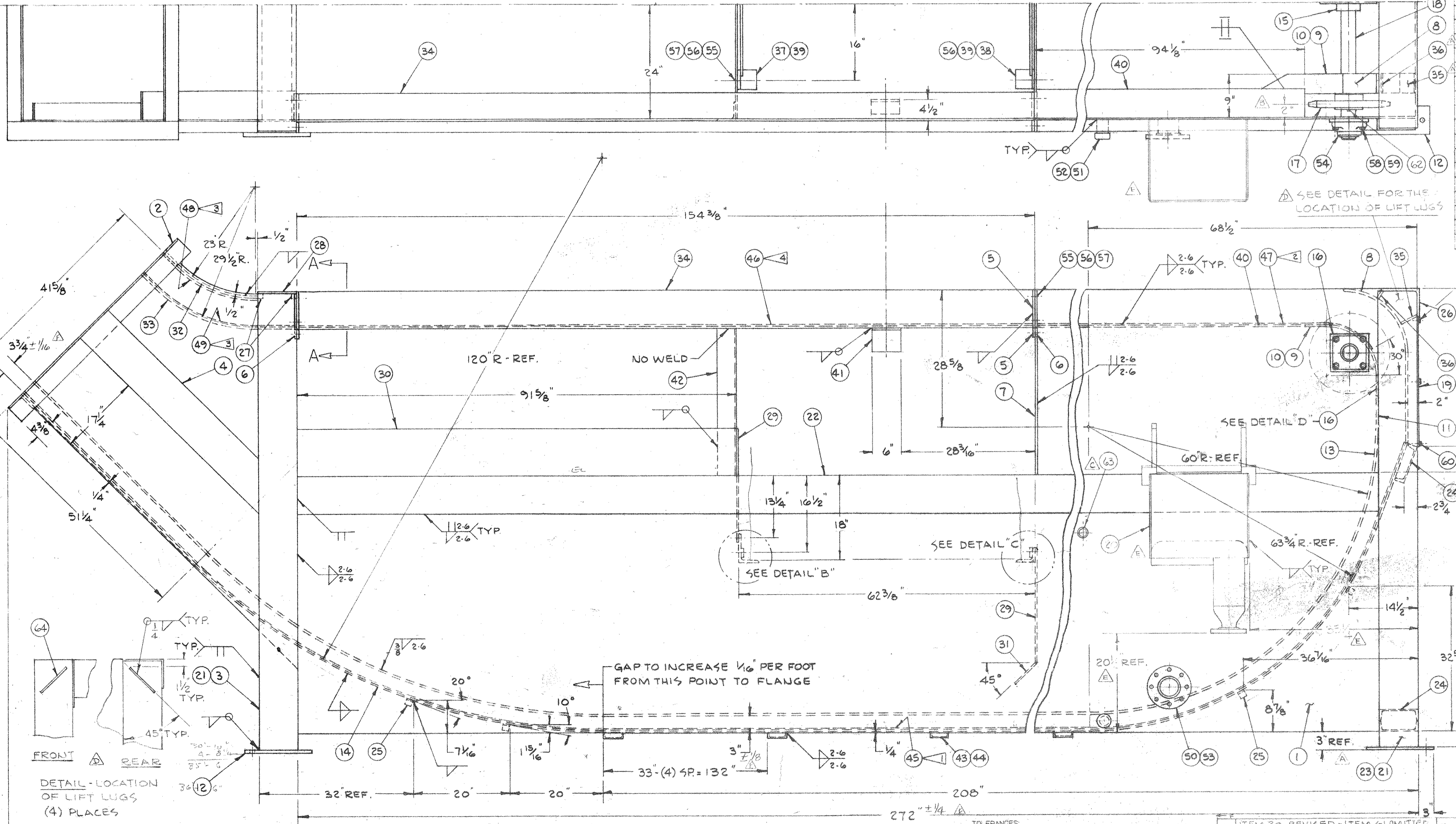


ITEM			PART			GROUP						
16	16	55	5/8-11 x 2 HEX. BOLT	2	2	36	1/2 x 4 F.B. x 2	02	01	ITEM	PART	DESCRIPTION
18	18	56	5/8-11 HEX. NUT	2	2	37	L6 x 4 x 1/2 x 4	2	2	1	D22B-0163	TANK SIDE
16	16	57	5/8 SPLIT SPRING LOCK WASHER	2	2	38	L4 x 3 x 1/2 x 4	2	2	2	PO1, PO2 & PO3	TANK FLANGE
8	8	58	3/4-10 HEX. NUT	2	2	39	1/2 x 2 F.B. x 30	1	1	2	D22B-0163	PO4
8	8	59	3/4 SPLIT SPRING LOCK WASHER	2	2	40	1/2 x 6 F.B. x 94 1/8	2	2	3	PO5	FRONT LEG
6	6	60	1/4-20 x 1" HEX. BOLT	1	1	41	L5 x 3 x 1/2 x 6	2	2	4	PO6	ANGLED STIFFENER
		61		2	2	42	L4 x 4 x 3/8 x 31	8	8	5		RAIL FLANGE "A"
		62	3/4 SQ x 3 LG. KEY STOCK	5	5	43	C4 x 7.5" x 48	4	4	6		RAIL FLANGE "B"
		63	(1/2) 1 1/2 x 2 1/2 STD PIPE COUPLERS	10	10	44	1/4 x 1 1/2 F.B. x 4	2	2	7		TANK STIFFENER
		64	A ZZZ-2100 PO1 LIFTING LUG	2	2	45	1/4 R x 6 1/2 x 38 1/4	2	2	8		FLIGHT GUIDE
				2	2	46	x 154 3/8	1	1	9		CHAIN GUIDE - RIGHT
				2	2	47	x 110 1/4	1	1	10	do	CHAIN GUIDE - LEFT
				2	2	48	x 23	2	2	11		1/2 x 4 F.B. x 5 1/2
				2	2	49	do x 35 9/16 do	4	4	12	D22B-0163	PI3
				1	1	50	4" x SCH. 40 x 4 PIPE	2	2	13		PI4
				1	1	51	2" x SCH. 40 x 3 PIPE T.O.E.	1	1	14	do	PI5
				1	1	52	2" x SCH. 40 STD. PIPE CAP	1	1	15	B22B-0080	GO2
				1	1	53	4" SLIP-ON PIPE FLANGE - CLASS 150	2	2	16	B22L-0004	GO1
				2	2	54	DODGE 5CM4 FLG. BRG. - 3" BORE	2	2	17	C225-0010	GO1

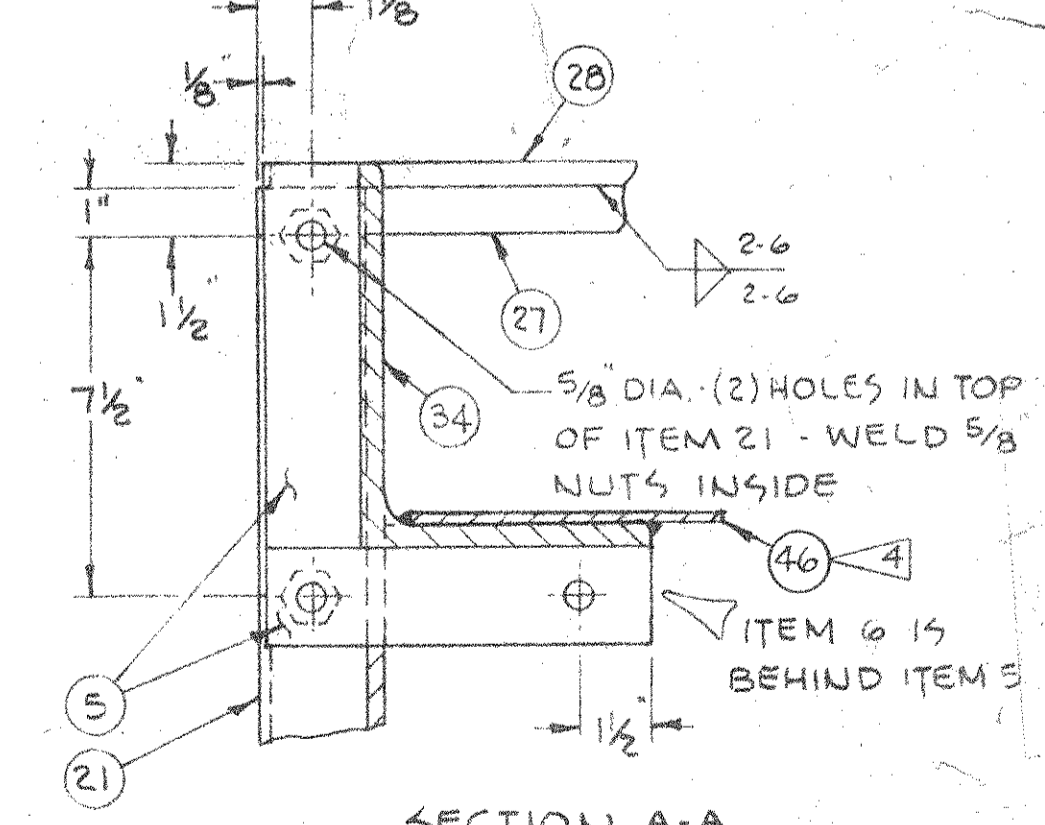
GROUP			PARTS LIST		
02	01	ITEM	PART	DESCRIPTION	
2	2	1	D22B-0163	TANK SIDE	
2	2	2	PO1, PO2 & PO3	TANK FLANGE	
1	1	2	D22B-0163	FRONT LEG	
2	2	3	PO6	ANGLED STIFFENER	
2	2	4	PO7	RAIL FLANGE "A"	
8	8	5	PO8	RAIL FLANGE "B"	
4	4	6	PO9	TANK STIFFENER	
2	2	7		FLIGHT GUIDE	
2	2	8		CHAIN GUIDE - RIGHT	
1	1	9	do	CHAIN GUIDE - LEFT	
2	2	10		1/2 x 4 F.B. x 5 1/2	
2	2	11		TANK FOOT	
4	4	12	D22B-0163	PI3	
2	2	13		PI4	
1	1	14	do	PI5	
1	1	15	B22B-0080	GO2	
2	2	16	B22L-0004	GO1	
2	2	17	C225-0010	GO1	
1	1	18	B22B-0095	PO5	
1	1	19	B22B-0164	GO1	
1	1	20	D-22B-0171	GO1	
4	4	21		C8 x 11.5" x 94 3/4	
2	2	22		C8 x 11.5" x 26 4	
2	2	23		C8 x 11.5" x 2 1/4 (REAR LEG)	
3	3	24		C8 x 11.5" x 48	
8	8	25		L 1 1/2 x 1 1/2 x 1/4 x 1 1/2	
1	1	26		L 8 x 6 x 1/2 x 52 3/4	
2	2	27		1 x F.B. x 48	
1	1	28		1/2 x 8 F.B. x 52 3/4	
2	2	29		3/8 R x 24 x 48	
2	2	30		3/8 R x 10 x 91 5/8	
1	1	31		3/8 x 6 F.B. x 48	
2	2	32		1/2 x 6 F.B. x 18 3/4 - ROLL TO 23" R. INSIDE	
2	2	33		1/2 x 6 F.B. x 27 7/8 - ROLL TO 29" R. INSIDE	
2	2	34		L 8 x 6 x 1/2 x 154 3/8	
2	2	35		1/2 x 4 F.B. x 4	



WITH ITEM 19 IN PLACE DRILL & TAP ITEM 21 FOR ITEM 60 - (6) PLACES

NOTES

- 1 MAY BE MADE IN (2) PCS. - ROLL TO FIT BOTTOM
- 2 CUT & ROLL (1) END TO FIT ITEMS 9 & 10
- 3 ROLL TO FIT ITEMS 32 & 33
- 4 TACK WELD WEAR STRIPS AT 6" INTERVALS - BOTH SIDES
- 5 ASSEMBLE (1) SIDE AS SHOWN - OTHER SIDE IS OPPOSITE HAND.



OCT 14 1986			
MANUFACTURED	P4895		
DESIGNED	P4792		
CSI PROCESS SPEC NUMBER		GROUP	B/M D/L NEXT HIGHER ASSY

CONVEYOR SUMP TANK ASSY.
CS-4000

Consumat Systems, Inc.
RICHMOND, VIRGINIA U.S.A.

SCALE 1" = 1'-0" DRAWN EAS₄ DRAWING NO. D-22B-0162

DATE 4-4-86 CHECK APPR. SHEET OF

NO.	REVISION	DATE	BY
E	ITEM 20 REVISED - ITEM 60 OMITTED	7-29-86	EDM
D	ITEM 24 VIEW ADDED	7-2-86	EDM
C	ITEM 23 ADDED	5-12-86	EAS
B	DIM 2 1/4 ITEM 62 ADDED	4-25-86	EAS
A	SHORTENED HEIGHT BY 1/4 INCH	4-16-86	EDM

NOTE -
GO1 - AS SHOWN
GO2 - WATER LEVEL CONTROL TANK & PIPING CONNECTIONS, OPP. SIDE

TOLERANCES:
NORMAL ± 1/32" EXCEPT AS NOTED. TOLERANCES APPLY PARTICULARLY TO OVER-ALL DIMENSIONS AND MUST NOT BE ACCUMULATIVE. HOLE LOCATION DIMENSIONS MUST BE HELD TO ± 1/32".

THIS DRAWING IS THE PROPERTY OF CONSUMAT SYSTEMS, INC. AND IS TO BE USED ONLY FOR PRODUCING ITEMS ON ORDER FOR CONSUMAT SYSTEMS, INC. SUBJECT TO RETURN UPON DEMAND AND IS NOT TO BE PRINTED, PHOTOGRAPHED, COPIED, REPRODUCED, LOANED OR USED IN ANY WAY WITHOUT WRITTEN PERMISSION OF CONSUMAT SYSTEMS, INC.