

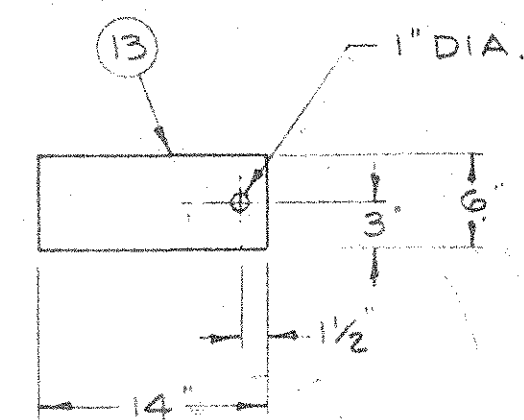
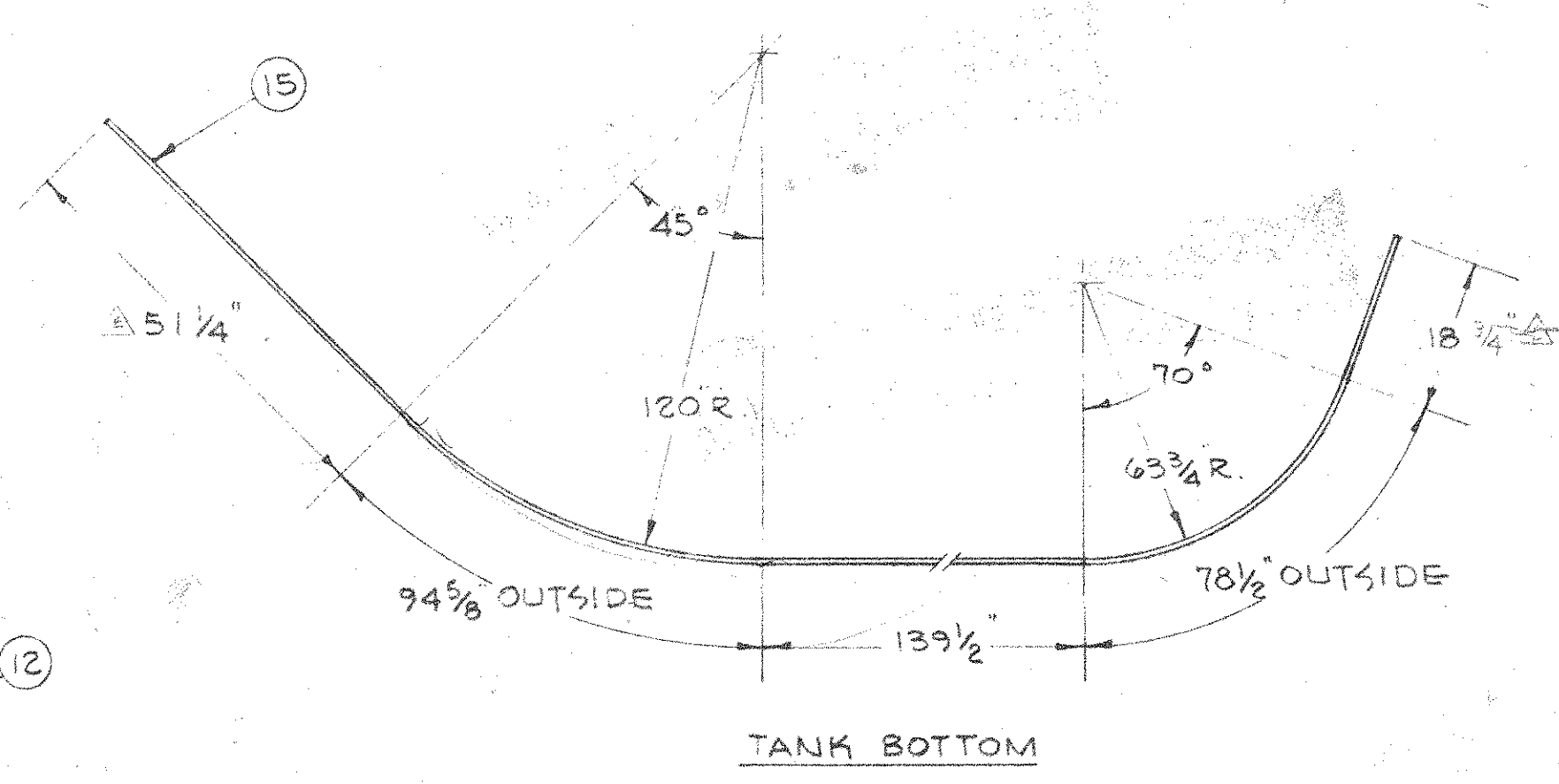
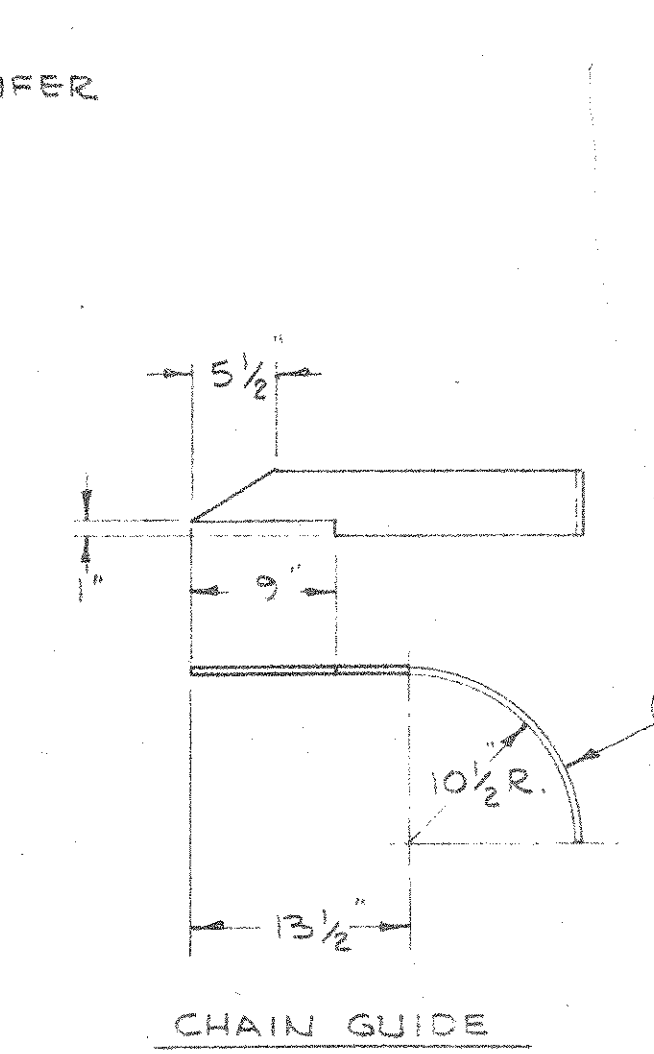
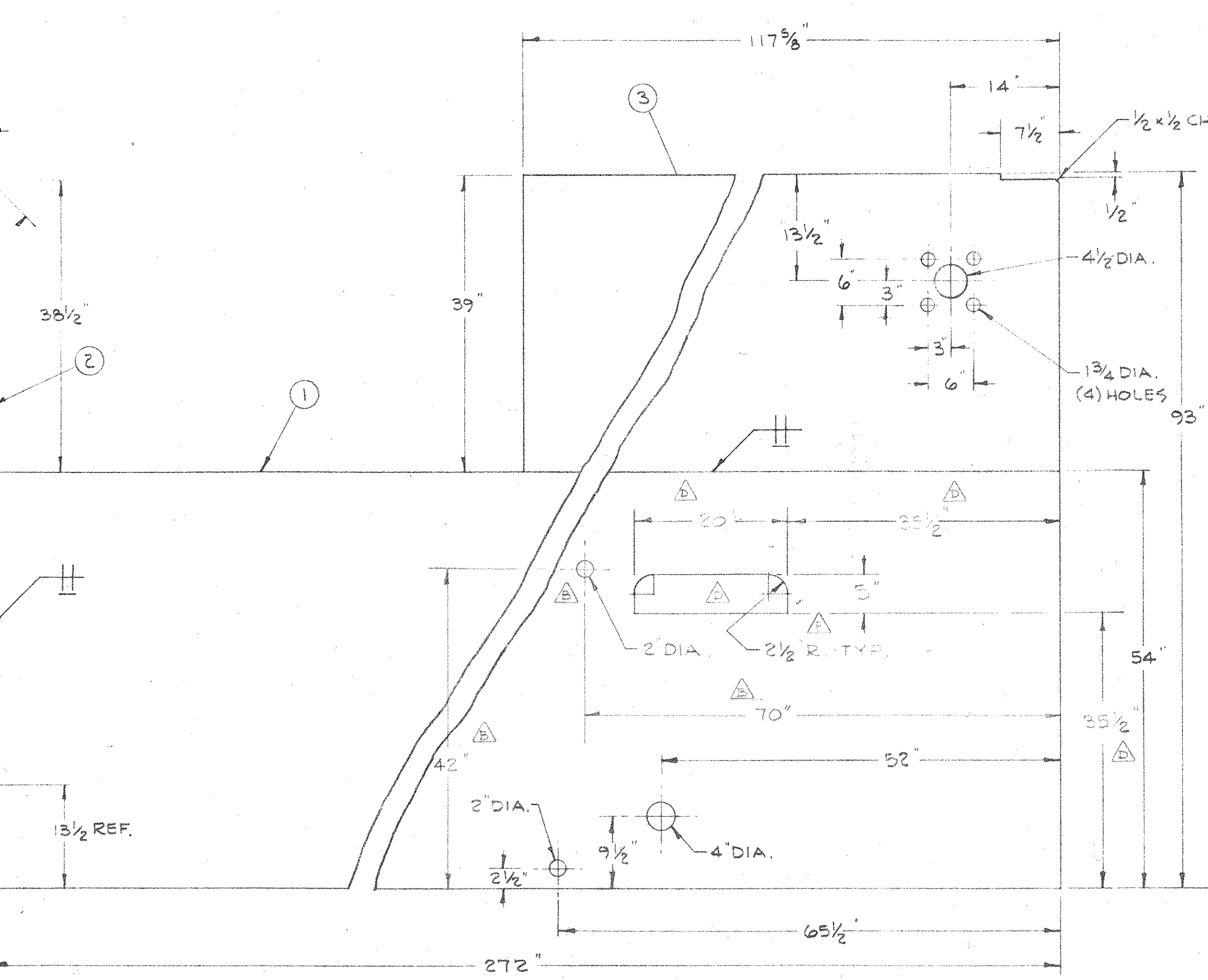
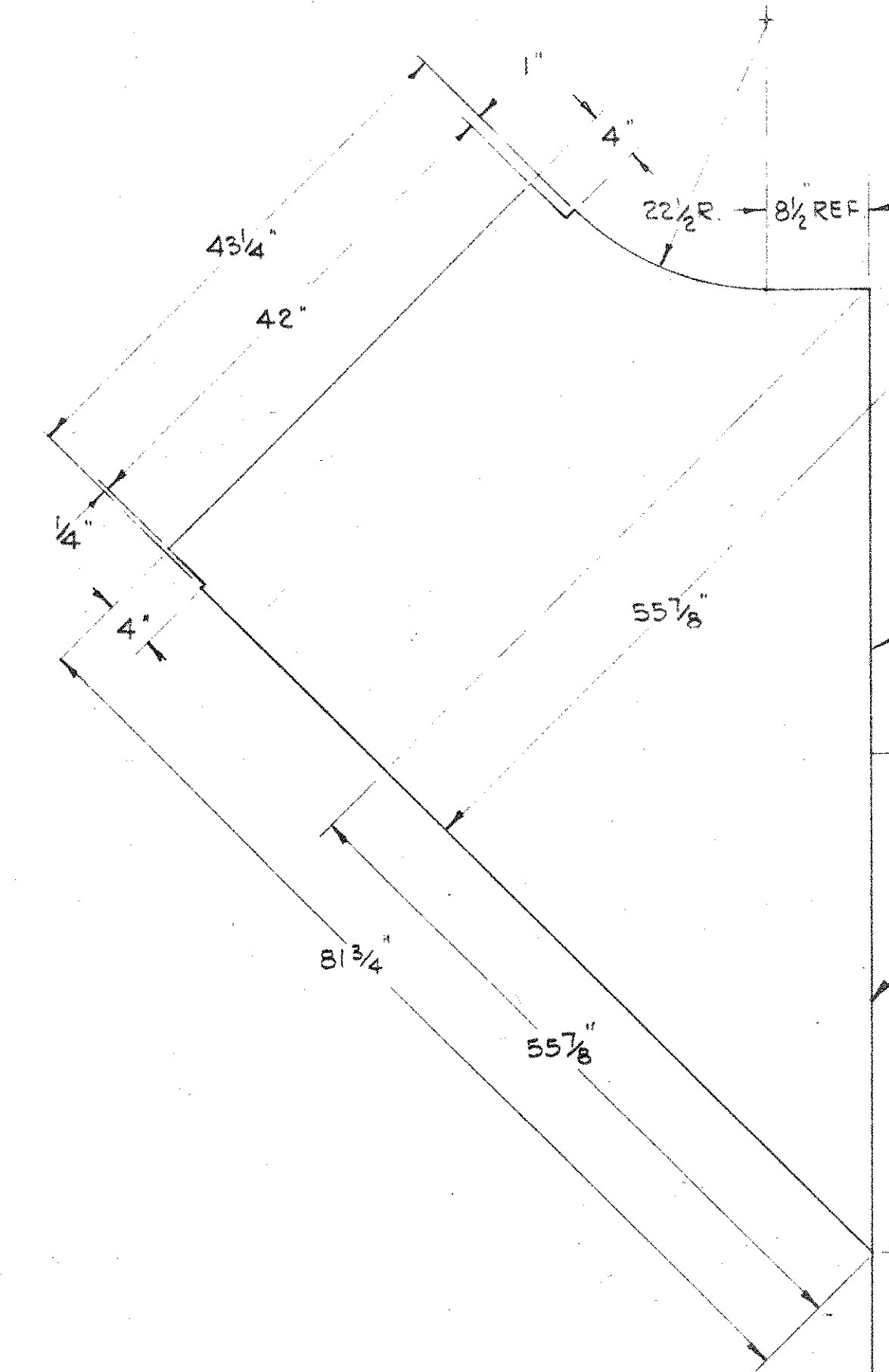
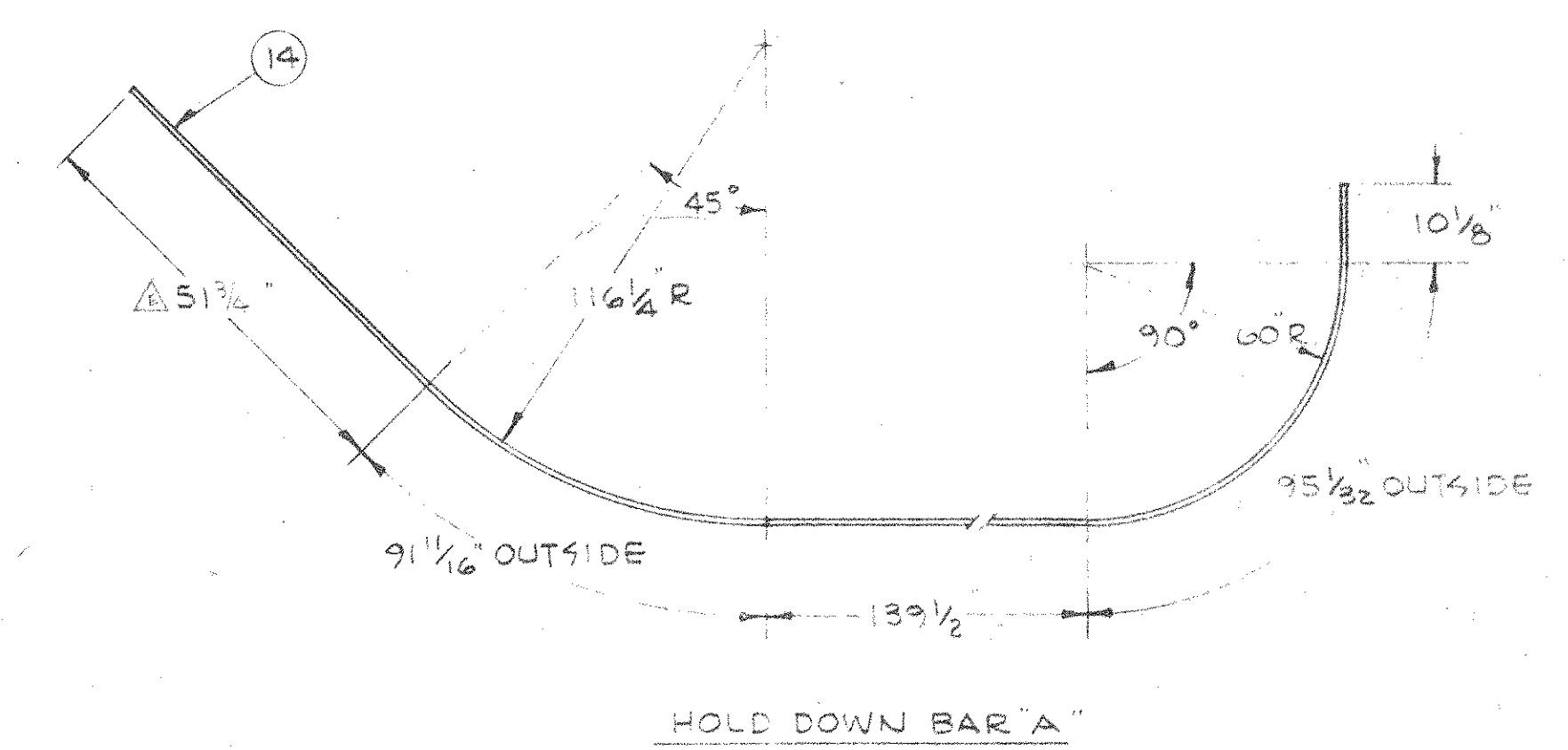
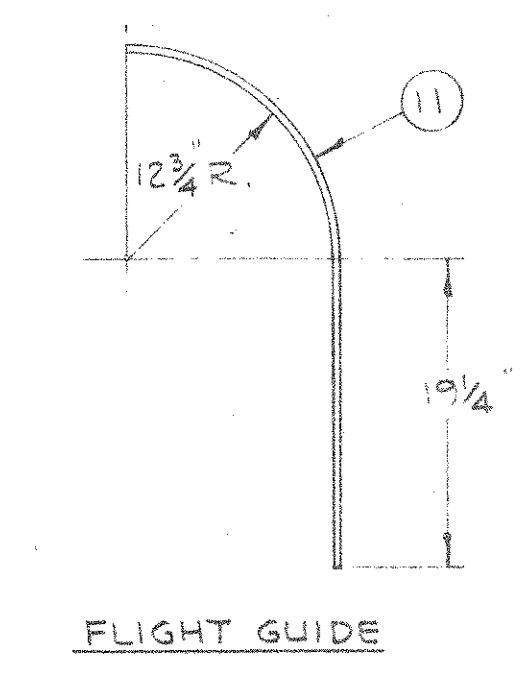
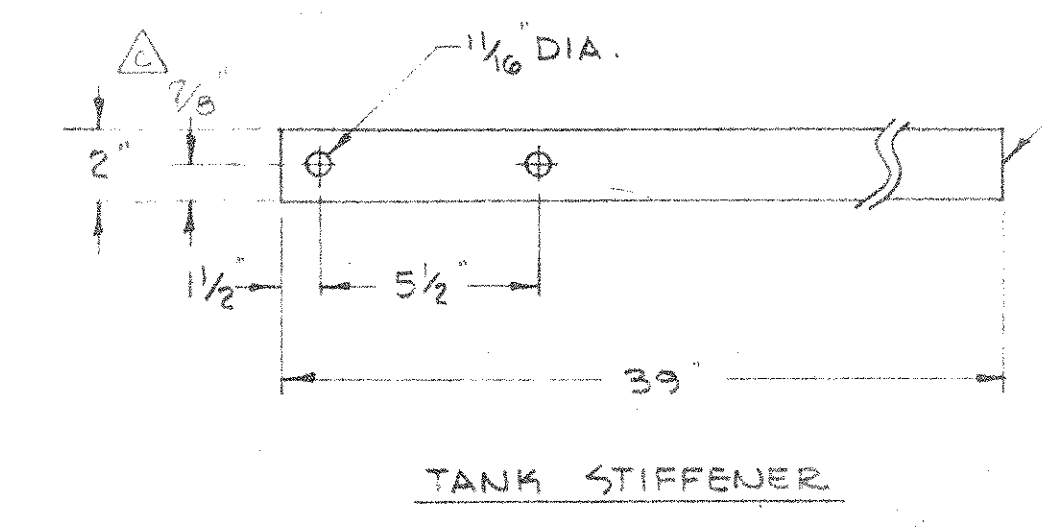
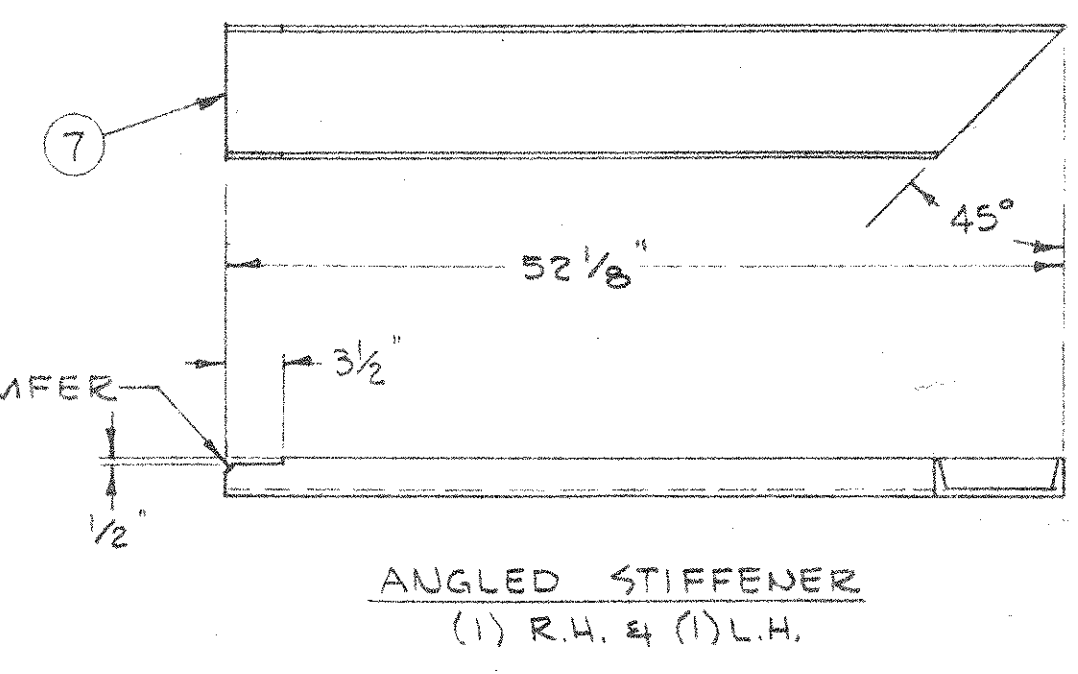
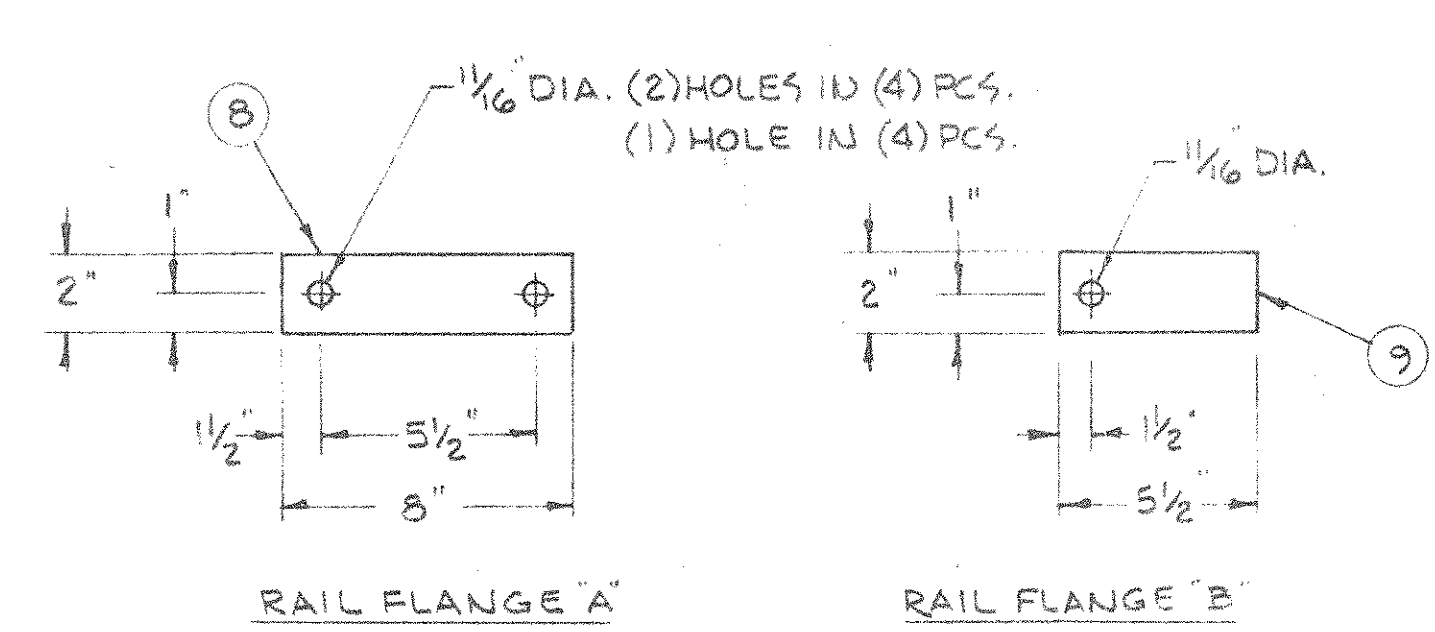
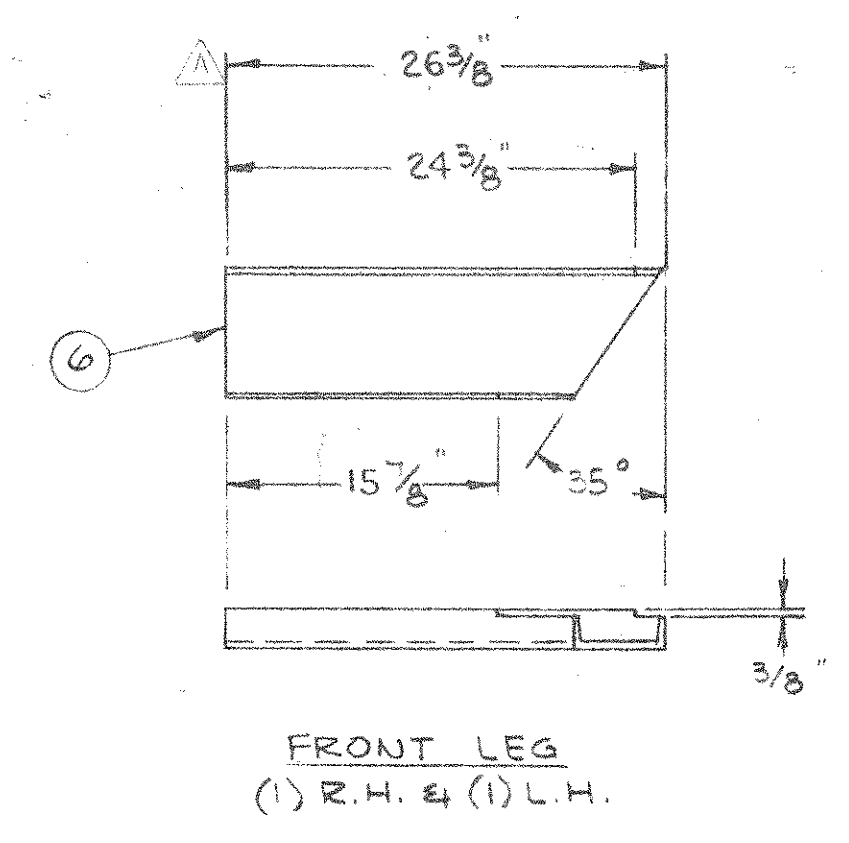
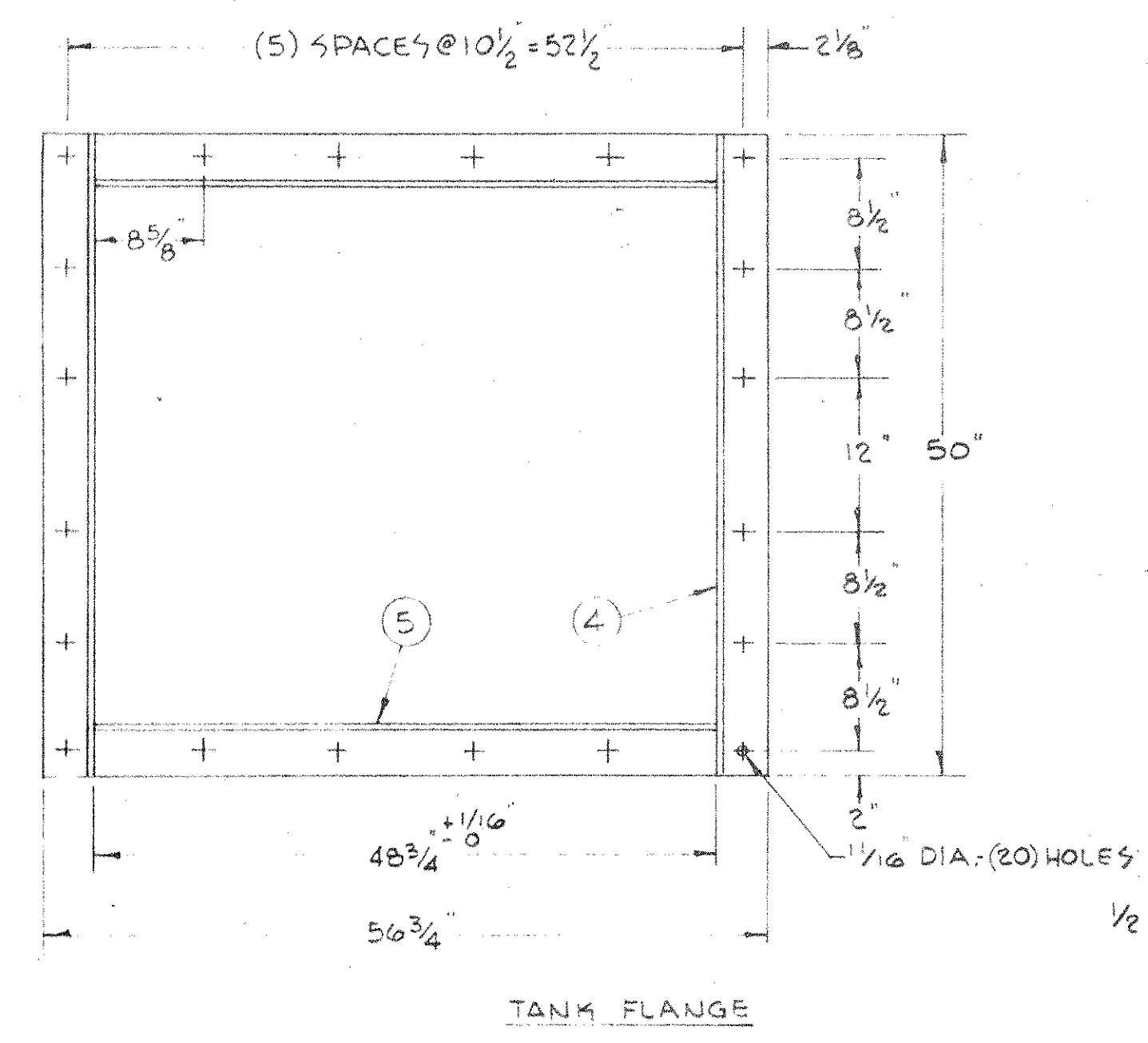
| GROUP | | PARTS LIST | | | |
|-------|----|------------|------|------------------------------|--------|
| Q2 | Q1 | ITEM | PART | DESCRIPTION | |
| | | 2 | 1 | 3/8 x 54 x 272 | CORTEN |
| | | 2 | 2 | 3/8 x 55 7/8 x 81 3/4 | CORTEN |
| | | 2 | 3 | 3/8 x 39 x 117 5/8 | CORTEN |
| | | 2 | 4 | 4 x 4 x 1/2 x 50 | |
| | | 2 | 5 | 4 x 4 x 1/2 x 48 3/4 | |
| | | 2 | 6 | CB x 11.5# x 26 3/8 | |
| | | 2 | 7 | CB x 11.5# x 52 1/8 | |
| | | 8 | 8 | 1/2 x 2 F.B. x 8 | |
| | | 4 | 9 | 1/2 x 2 F.B. x 5 1/2 | |
| | | 2 | 10 | 1/2 x 2 F.B. x 39 | |
| | | 2 | 11 | 1/2 x 4 F.B. x 39 11/16 | |
| | | 2 | 12 | 1/2 x 4 F.B. x 30 3/8 | |
| | | 4 | 3 | 3/4 x 6 F.B. x 14 | |
| | | 2 | 14 | 1/2 x 3 1/2 F.B. x 386 13/16 | |
| | | 1 | 5 | 3/8 x 48 x 382 11/16 | CORTEN |

D

C

B

A



NOTES
 ITEMS 14 & 15 MAY BE MADE IN MORE THAN (1) PIECE.
 HOLES IN ITEM 1 TO BE IN (1) PLATE ONLY

TOLERANCES:
 NORMAL ± 1/8" EXCEPT AS NOTED TOLERANCES APPLY PARTICULARLY TO OVER-ALL DIMENSIONS AND MUST NOT BE ACCUMULATIVE. HOLE LOCATION DIMENSIONS MUST BE HELD TO ± 1/32"

THIS DRAWING IS THE PROPERTY OF CONSUMAT SYSTEMS INC. AND IS TO BE USED ONLY FOR PRODUCING ITEMS ON ORDER FOR CONSUMAT SYSTEMS INC. SUBJECT TO RETURN UPON DEMAND AND IS NOT TO BE PRINTED, PHOTOGRAPHED, COPIED, REPRODUCED, LOANED OR USED IN ANY WAY WITHOUT WRITTEN PERMISSION OF CONSUMAT SYSTEMS INC.

| NO. | REVISION | DATE | BY |
|-----|---|---------|-----|
| F | ADD DIA TOLERANCES | 9-19-86 | DMH |
| E | 386 1/16 WAS 386, 382 1/16 WAS 380 7/8, 18 3/4 WAS 18 1/8, 51 1/4 WAS 50 1/4, 51 3/4 WAS 50 1/4 | 8-14-86 | DMH |
| D | (B) 5 HOLES CHG TO 5" x 20" OPENING - DIMS ADDED - 25 1/2 WAS 26" (2) PLACES | 7-29-86 | EAS |
| C | DIA 7/8 WAS 1" | 5-15-86 | EAS |
| B | NOTE ADDED - (3) HOLES WAS (5) | 5-12-86 | EAS |
| A | 2" DIA. HOLE W/DIMS ADDED | 4-10-86 | EAS |

OCT 14 1986

01 4269 3533 D22B-0162

CSI PROCESS SPEC NUMBER

GROUP B/M D/L NEXT HIGHER ASSY

CONVEYOR SUMP TANK - DETAILS

Consumat Systems, Inc.
 RICHMOND, VIRGINIA U.S.A.

SCALE ~ DRAWN EAS

DATE 4-7-86 CHK. D-22B-0162

DO NOT SCALE APPR. SHEET OF