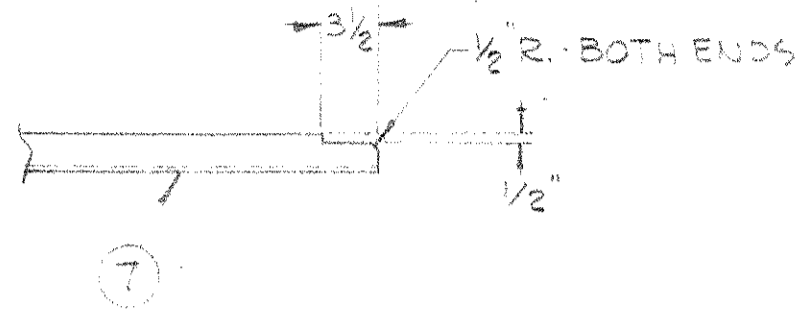
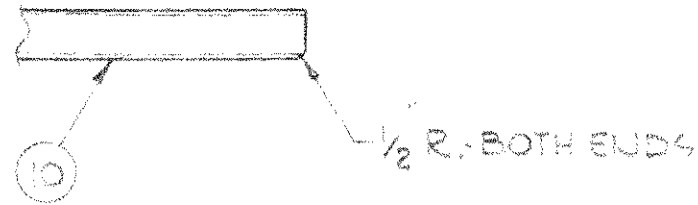
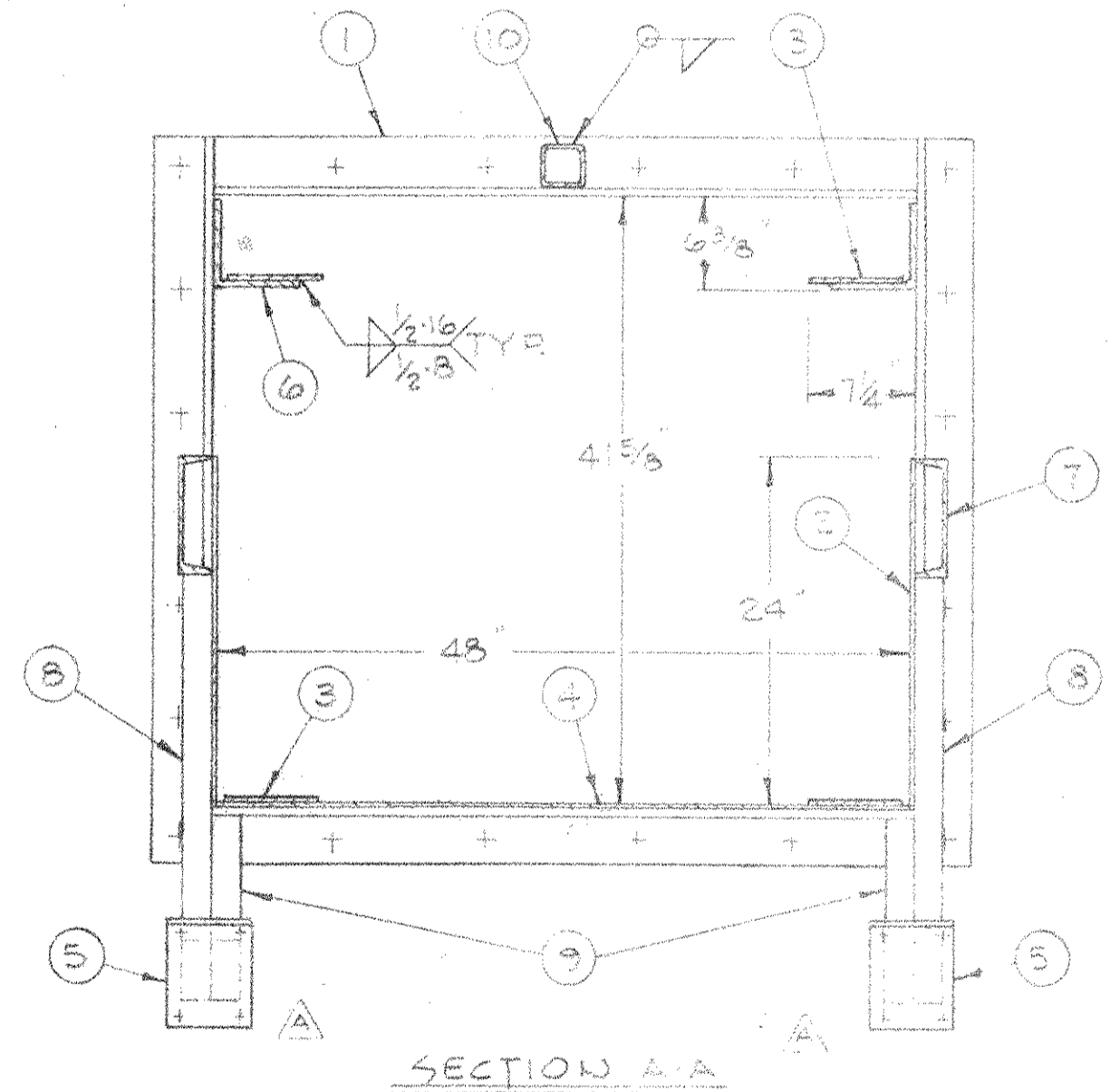
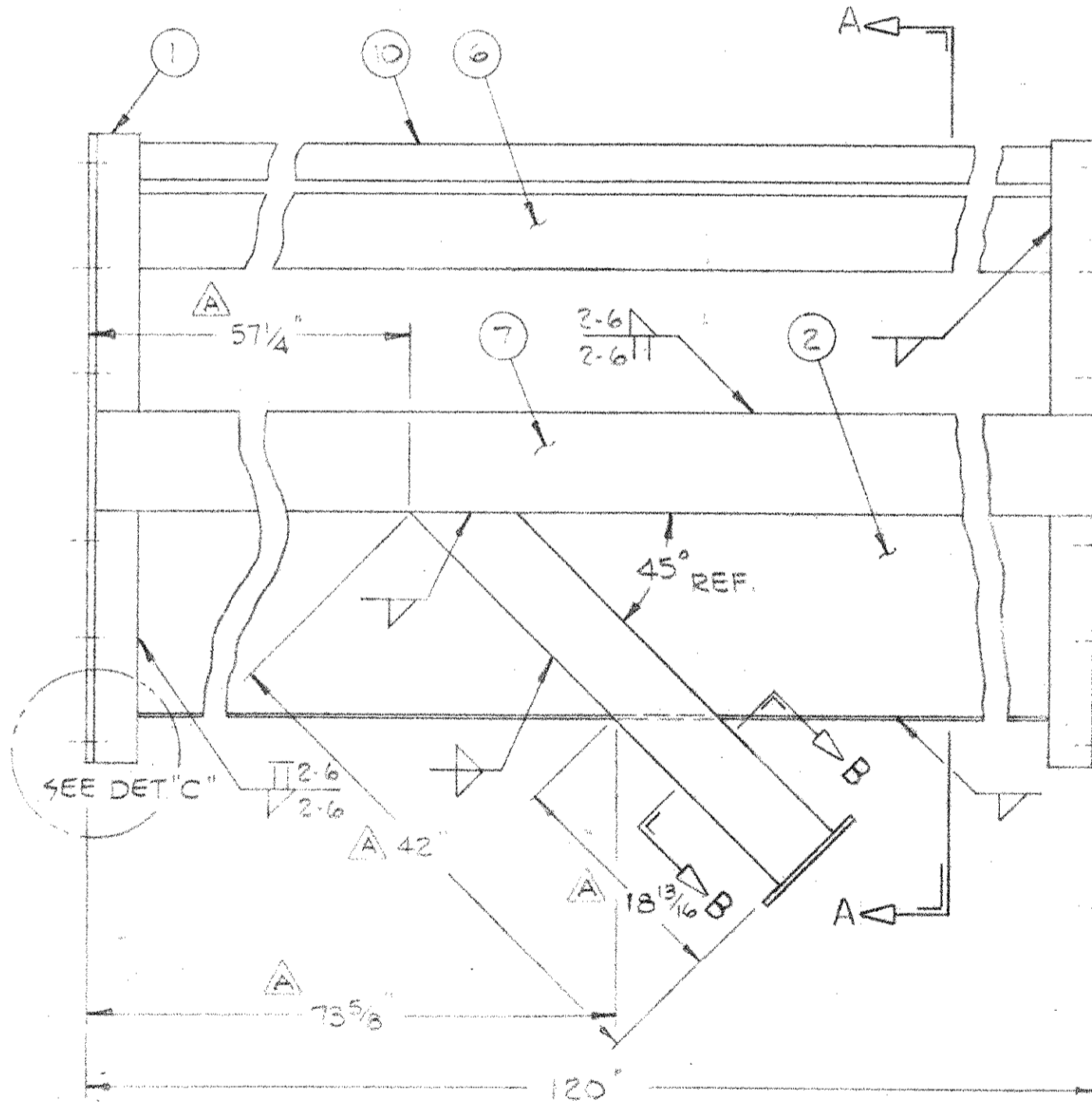
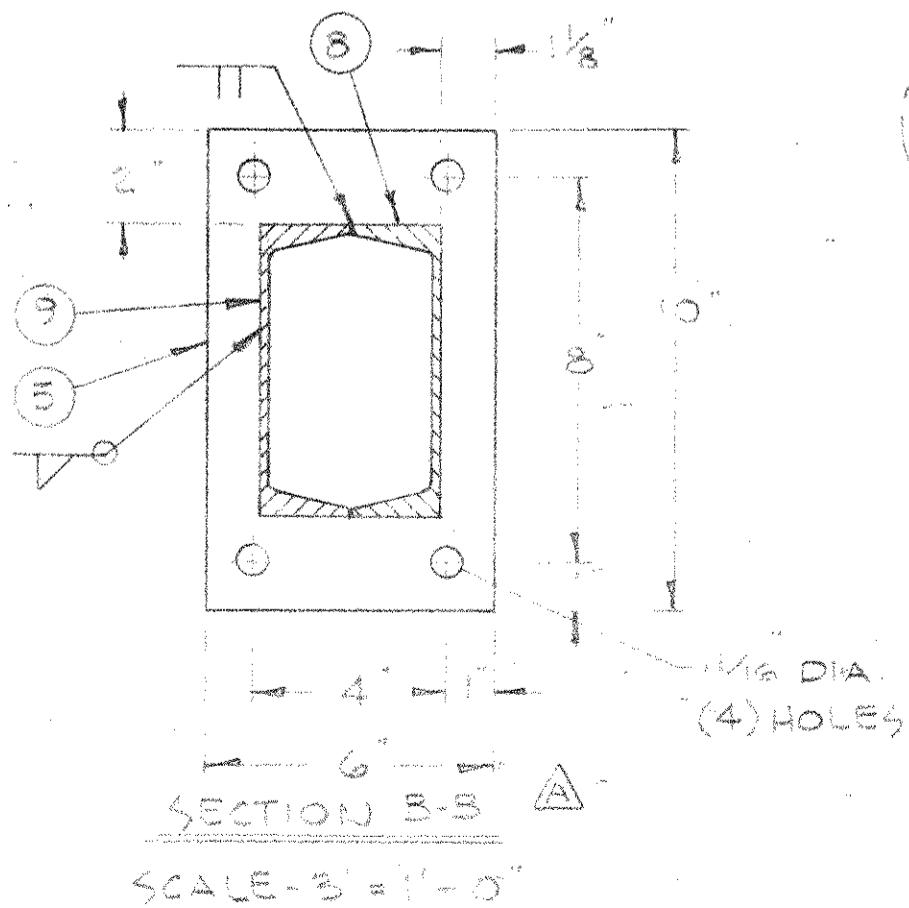
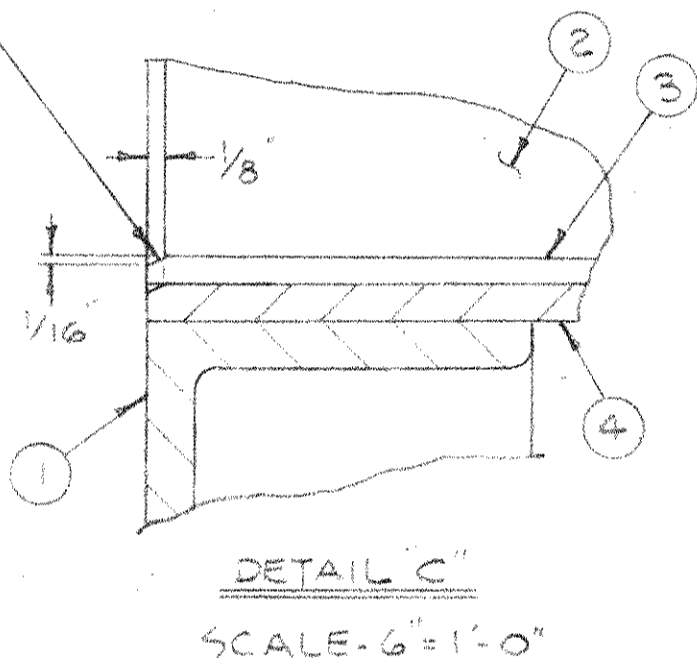


GROUP		PARTS LIST		
02	01	ITEM	PART	DESCRIPTION
2	1	A-22D-0046	GOI	TROUGH FLANGE ASSY
2	2			1/2" x 24" x 120" CORTEN
4	3			1/4" x 6 1/2" x 120" AR-225 ABRASION RESISTING
1	4			3/8" x 48" x 120" CORTEN
2	5	A		1/2" x 24" x 10"
2	6			1/2" x 6" x 3/8" x 120"
2	7			CB x 113# x 119
2	3	4		1/2" x 3/8" x 42" (45° MITRE (1) END)
2	3	A		1/2" x 3/8" x 18 1/16" (45° MITRE (1) END)
1	10			2 1/2" x 3/16" x 119 SQ. TUBE



CHAMFER ALL MATING EDGES AS SHOWN - TYP.



OCT 14 1986

WARFORD	04875	0	4457	3712	D22-0082
CSI PROCESS SPEC NUMBER		GROUP	B/M	D/L	NEXT HIGHER ASSY

CONVEYOR TROUGH ASSY w/ LEGS - 120"

**Consumat Systems, Inc.**  
RICHMOND, VIRGINIA U.S.A.

SCALE 1" = 1'-0"	DRAWN ESH	DRAWING NO.
DATE 7-11-85	CHK	D22-0070
DO NOT SCALE	APPR.	SHEET OF

THIS DRAWING IS THE PROPERTY OF CONSUMAT SYSTEMS INC., AND IS TO BE USED ONLY FOR PRODUCING ITEMS ON ORDER FOR CONSUMAT SYSTEMS INC. SUBJECT TO RETURN UPON DEMAND AND IS NOT TO BE PRINTED, PHOTOGRAPHED, COPIED, REPRODUCED, LOANED OR USED IN ANY WAY WITHOUT WRITTEN PERMISSION OF CONSUMAT SYSTEMS INC.

A	LEGS & DIMS. CHG'D - SECT. B-B CHG'D	7-10-86	each
NO.	REVISION	DATE	BY

4

3

2

A

B

C

B

C

D

D

C

B

A

71174