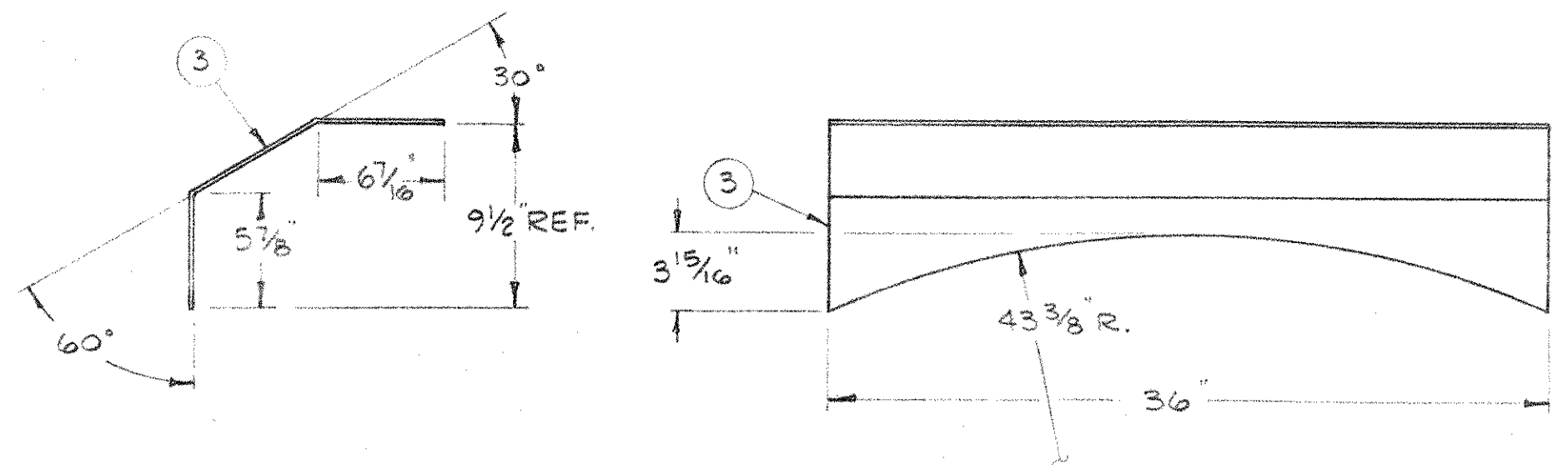
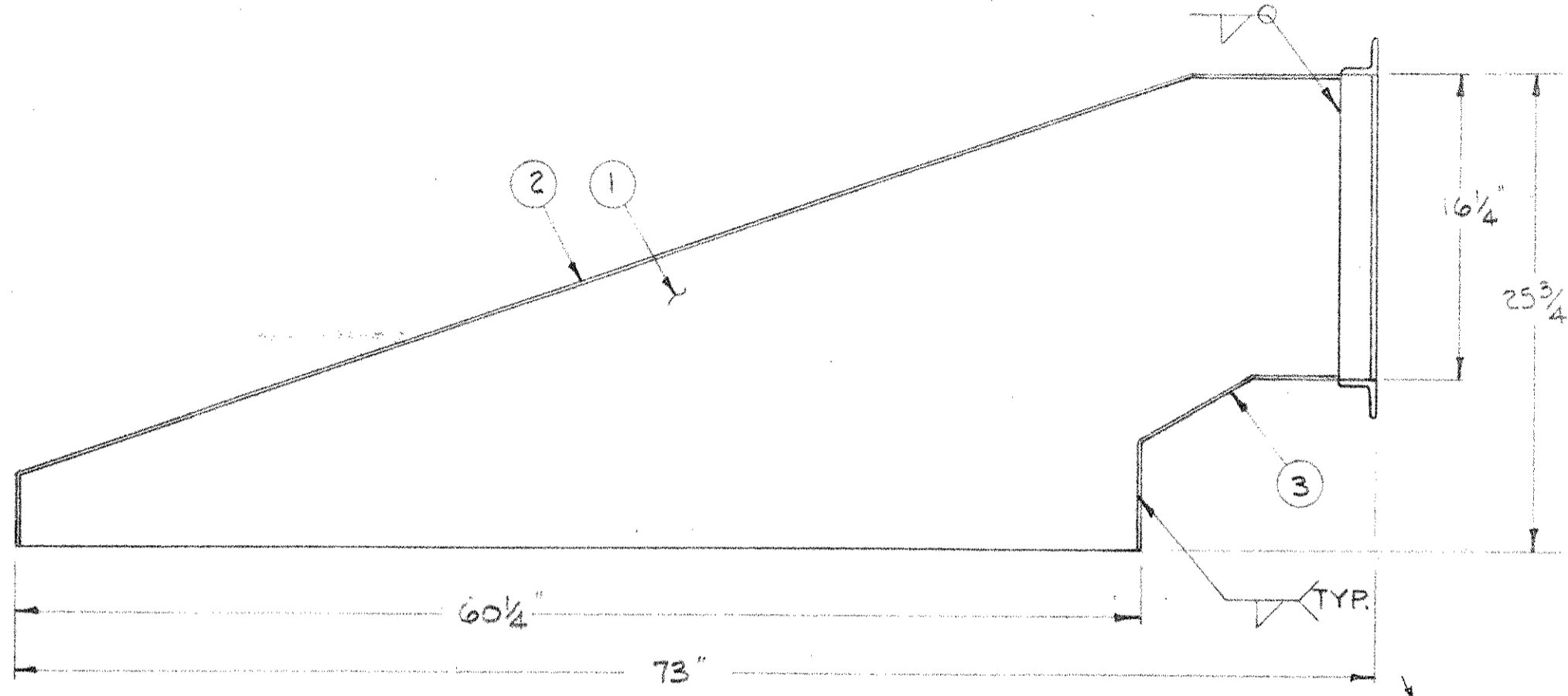


GROUP		PARTS LIST		
02	01	ITEM	PART	DESCRIPTION
2	1			10 GA x 23 5/8 x 72 7/8
1	2			10 GA x 36 x 80 7/16
1	3			10 GA x 19 7/32 x 36
2	4			L 2 x 2 x 1/4 x 16 1/4
2	5			L 2 x 2 x 1/4 x 40 1/4

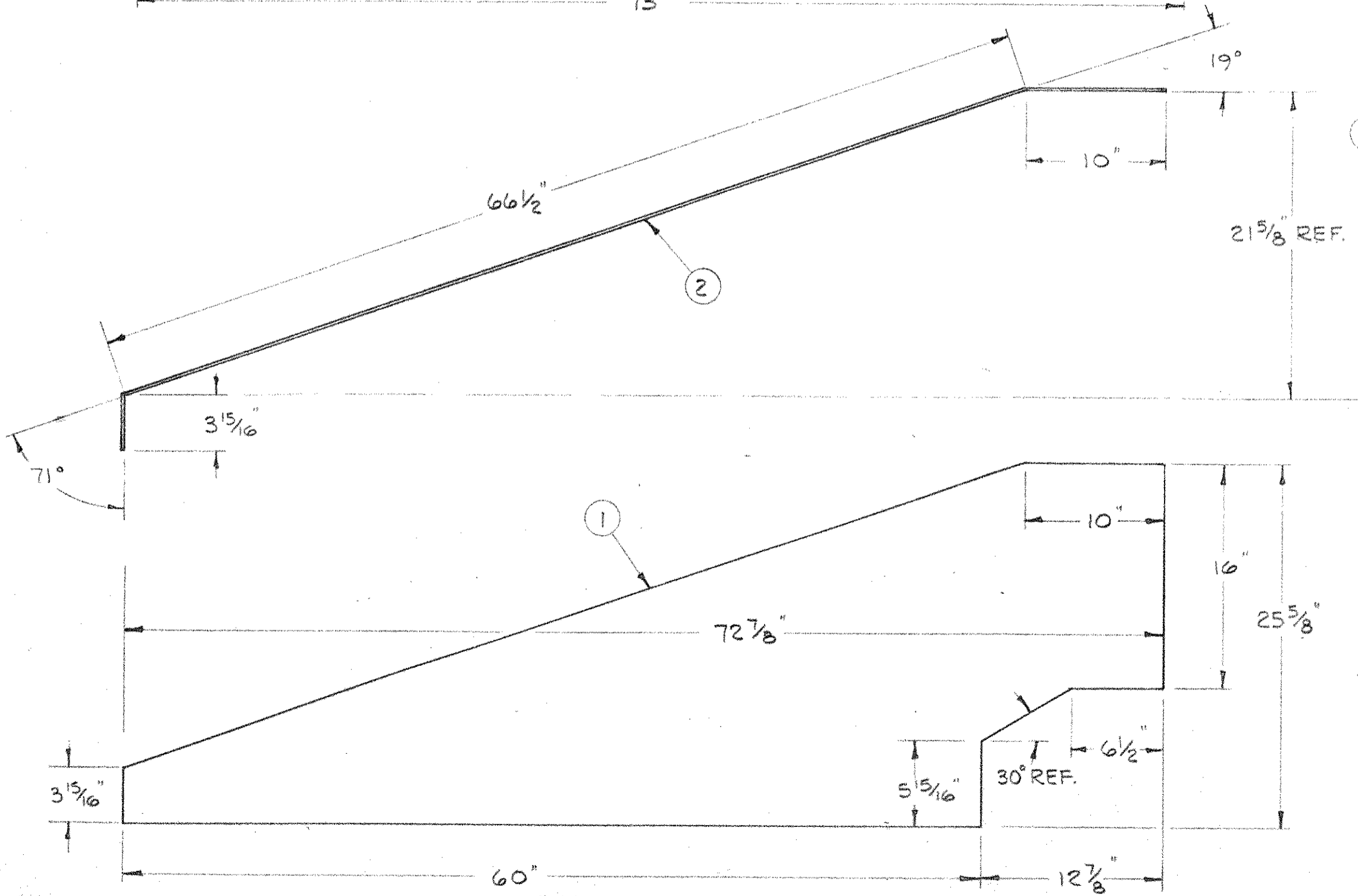
D



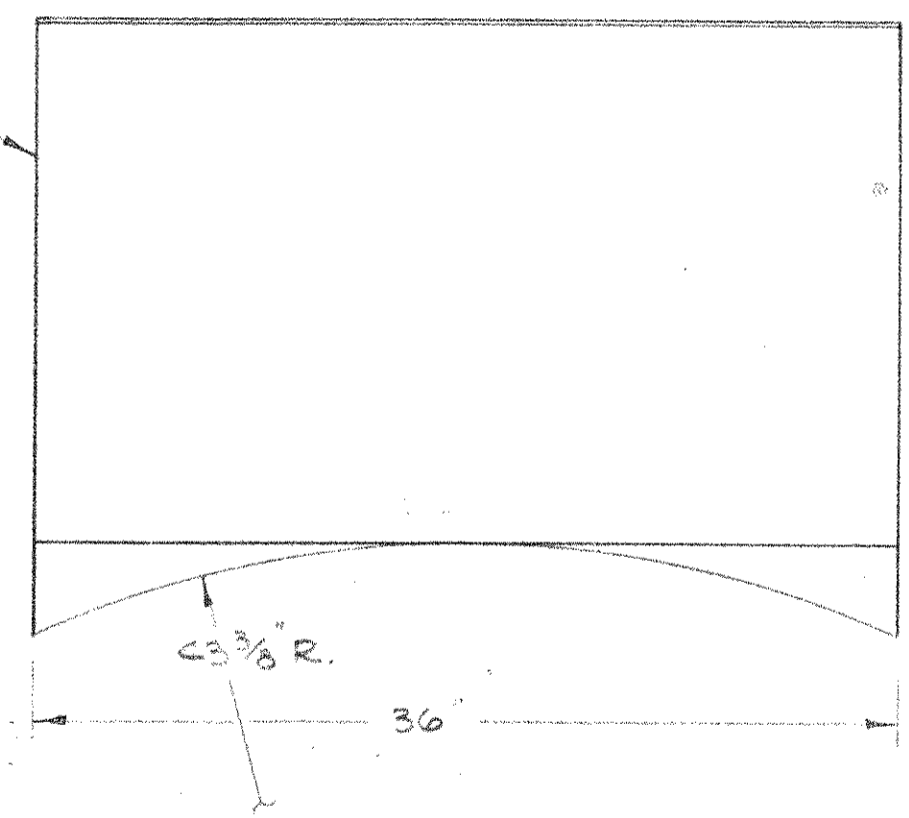
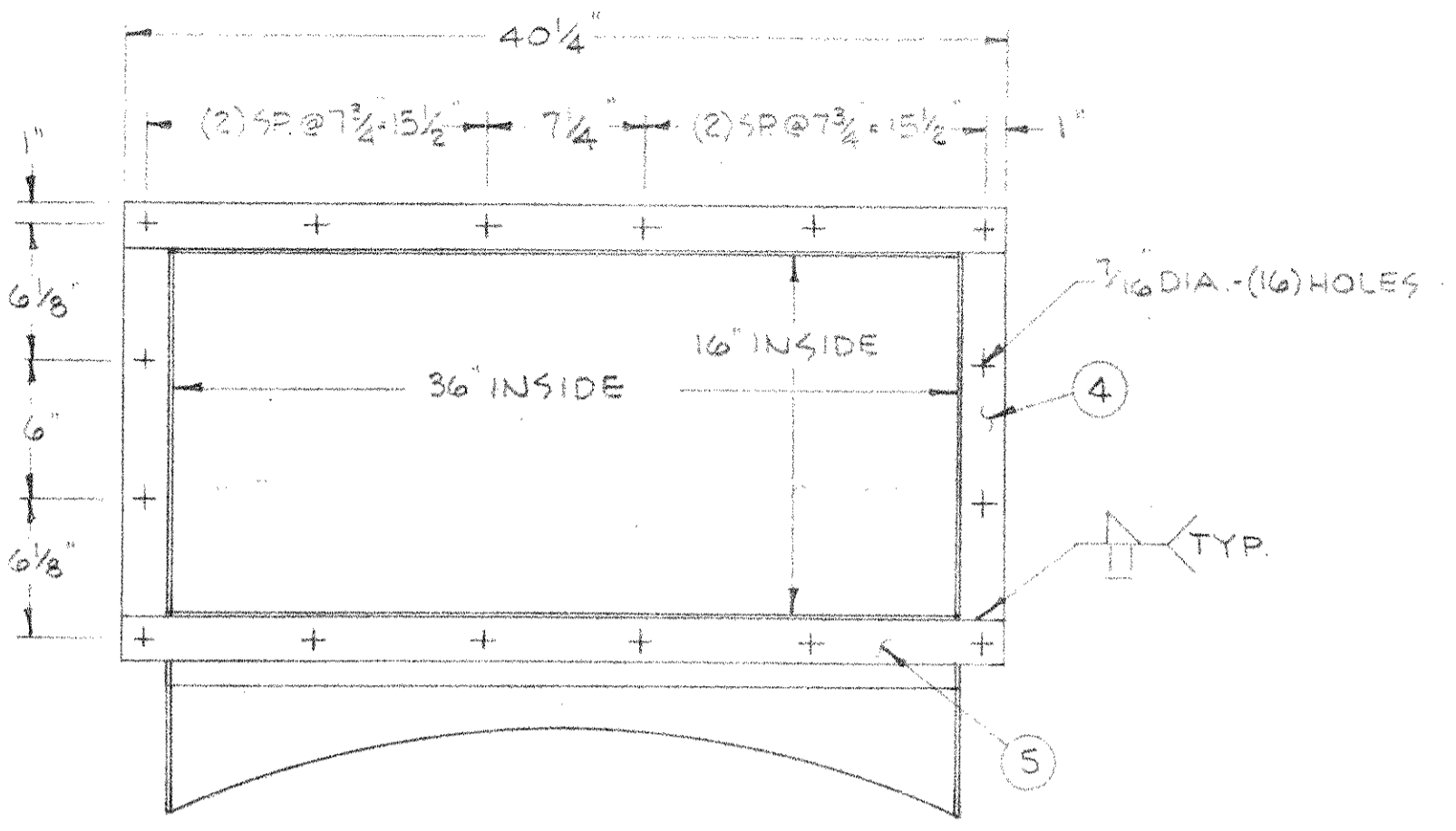
C



B



A



THIS DRAWING IS THE PROPERTY OF CONSUMAT SYSTEMS INC., AND IS TO BE USED ONLY FOR PRODUCING ITEMS ON ORDER FOR CONSUMAT SYSTEMS INC. SUBJECT TO RETURN UPON DEMAND AND IS NOT TO BE PRINTED, PHOTOGRAPHED, COPIED, REPRODUCED, LOANED OR USED IN ANY WAY WITHOUT WRITTEN PERMISSION OF CONSUMAT SYSTEMS INC.

01	3628	D31-0196	
GROUP	B/M	D/L	NEXT HIGHER ASSY

CROSS-OVER DUCT SECTION  
U/C SHROUD DUCT  
C4-4000



**Consumat Systems, Inc.**  
RICHMOND, VIRGINIA U.S.A.

SCALE 1/2" = 1'-0"	DRAWN EAS	DRAWING NO.
DATE 6-3-86	CHK.	C-31G-0106
DO NOT SCALE	APPR.	SHEET OF

NO.	REVISION	DATE	BY	REV.
-----	----------	------	----	------

4

3

2

1