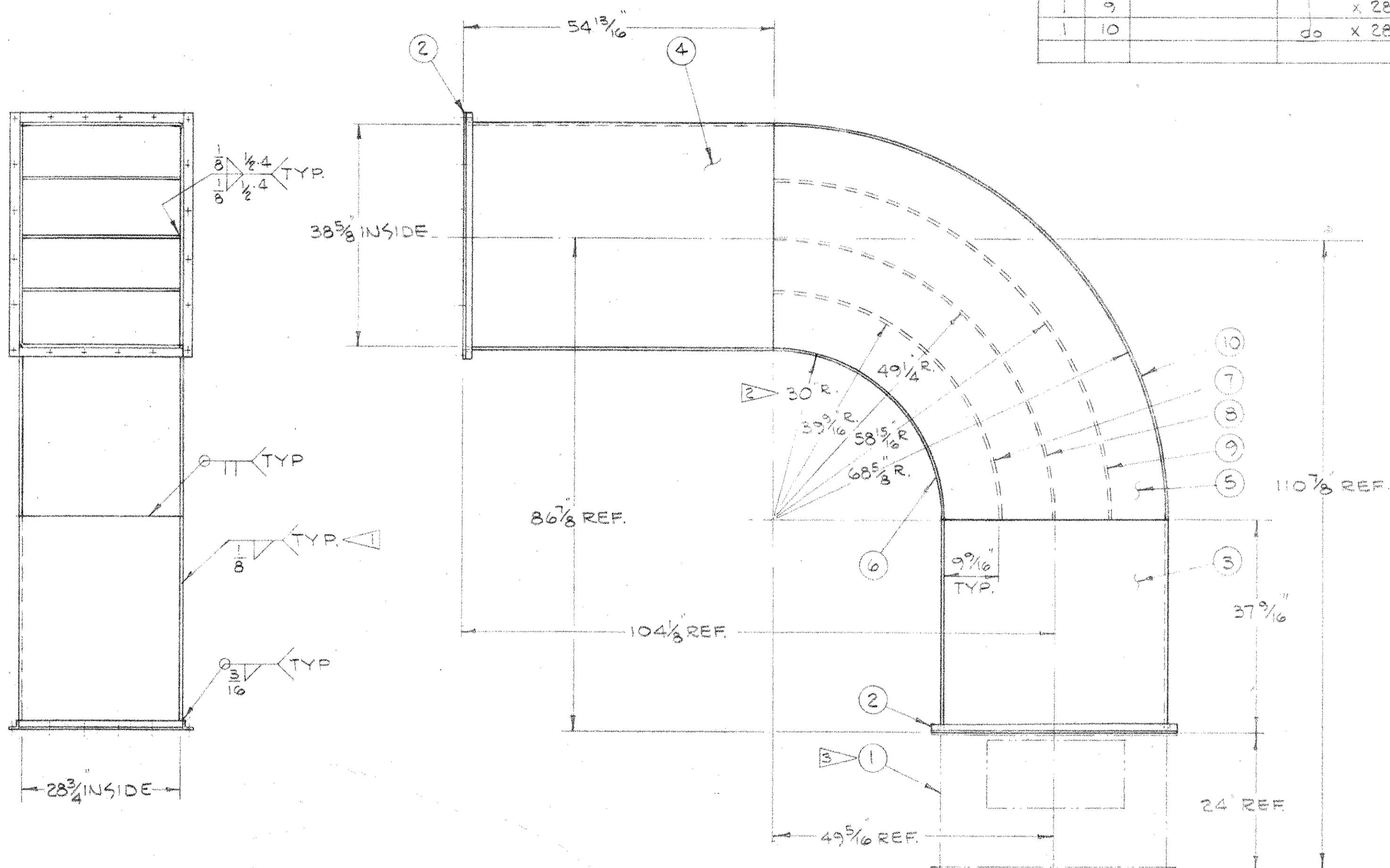


GROUP		PARTS LIST		
02	01	ITEM	PART	DESCRIPTION
(1)	REF.	1	D35G-0139 G02	DAMPER (HOLDING ONLY)
2	2	2	A31G-0113 G01	FLANGE
2	3	3		12 GA. X 37 ⁹ / ₁₆ X 67 ³ / ₈
2	4	4		X 54 ¹³ / ₁₆ X 67 ³ / ₈
2	5	5		X 68 ⁵ / ₈ X 68 ⁵ / ₈
1	6	6		X 28 ³ / ₄ X 47 ⁷ / ₃₂
1	7	7		X 28 ³ / ₄ X 62 ¹ / ₄
1	8	8		X 28 ³ / ₄ X 77 ¹⁵ / ₃₂
1	9	9		X 28 ³ / ₄ X 92 ¹¹ / ₁₆
1	10	10	do	X 28 ³ / ₄ X 107 ⁷ / ₈



NOTES

- 1 OPEN CORNER WELDS
- 2 ALL RADII SPECIFIED ARE INSIDE DIMS.
- 3 USE THE DAMPER HOUSING ONLY. (INCLUDE THE INSPECTION PANEL)

THIS DRAWING IS THE PROPERTY OF CONSUMAT SYSTEMS INC. AND IS TO BE USED ONLY FOR PRODUCING ITEMS ON ORDER FOR CONSUMAT SYSTEMS INC. SUBJECT TO RETURN UPON DEMAND AND IS NOT TO BE PRINTED, PHOTOGRAPHED, COPIED, REPRODUCED, LOANED OR USED IN ANY WAY WITHOUT WRITTEN PERMISSION OF CONSUMAT SYSTEMS INC.

HARFORD CO	4805	01	4612	3802
CSI PROCESS SPEC	NUMBER	GROUP	B/M	D/L
				NEXT HIGHER ASSY

DISCHARGE SECTION - U/C SHROUD DUCT

T/C FAN - SIZE 36E



Consumat Systems, Inc.

RICHMOND, VIRGINIA U.S.A.

SCALE 3/4"=1'-0"	DRAWN EASY	DRAWING NO.
DATE 9-16-82	CHK. LEW 9/17/82	C-31G-0114
DO NOT SCALE	APPR.	SHEET OF

NO.	REVISION	DATE	BY	REV.
-----	----------	------	----	------

4

3

2

1