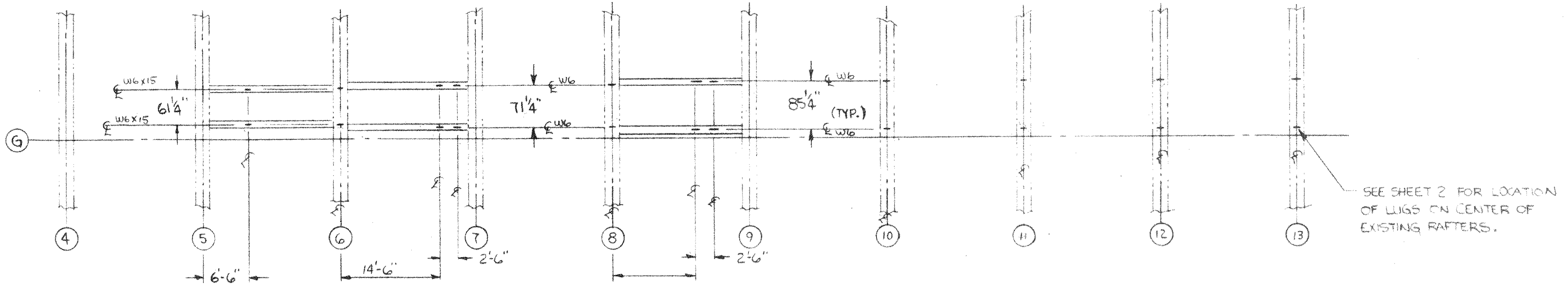
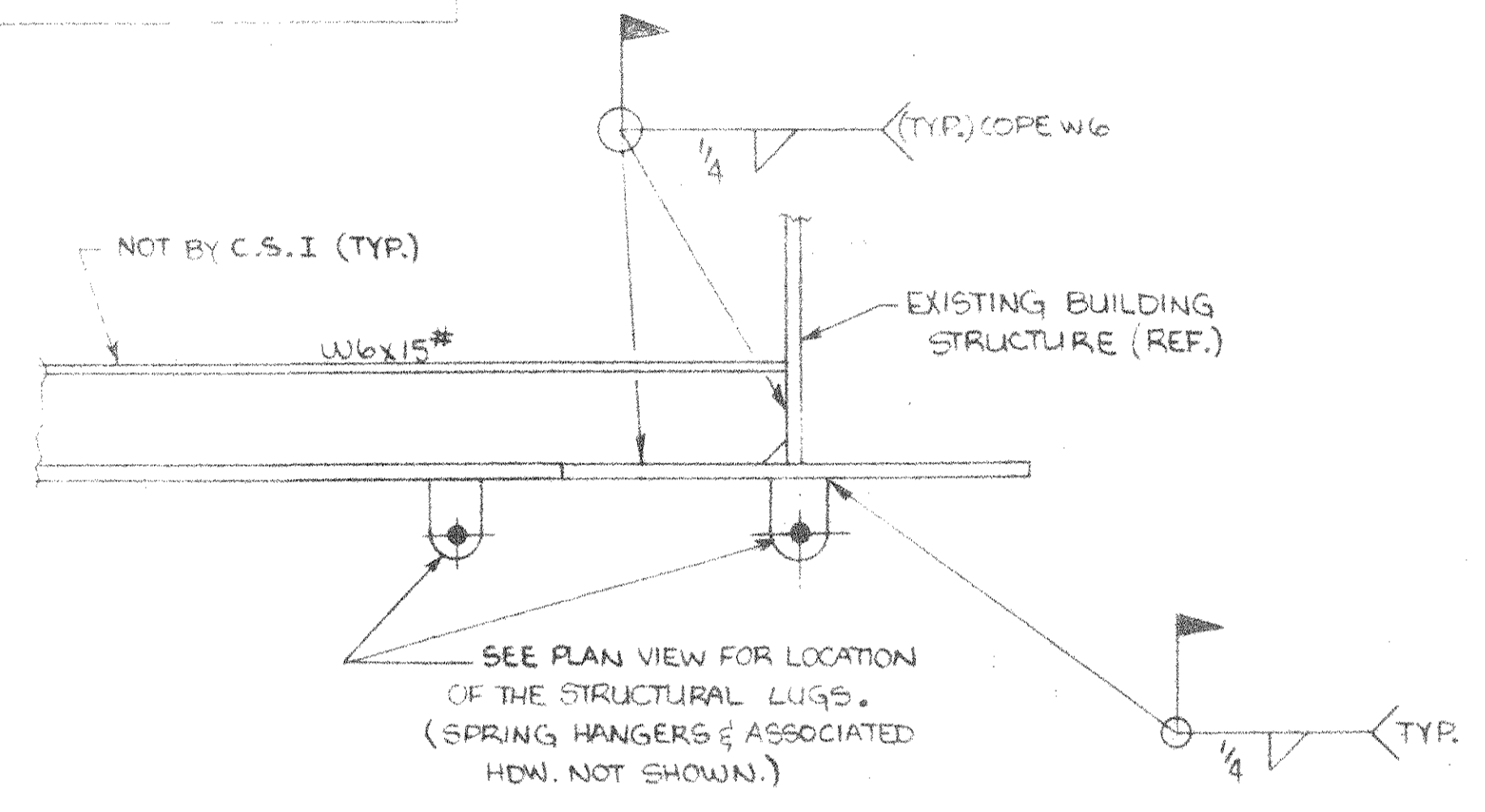
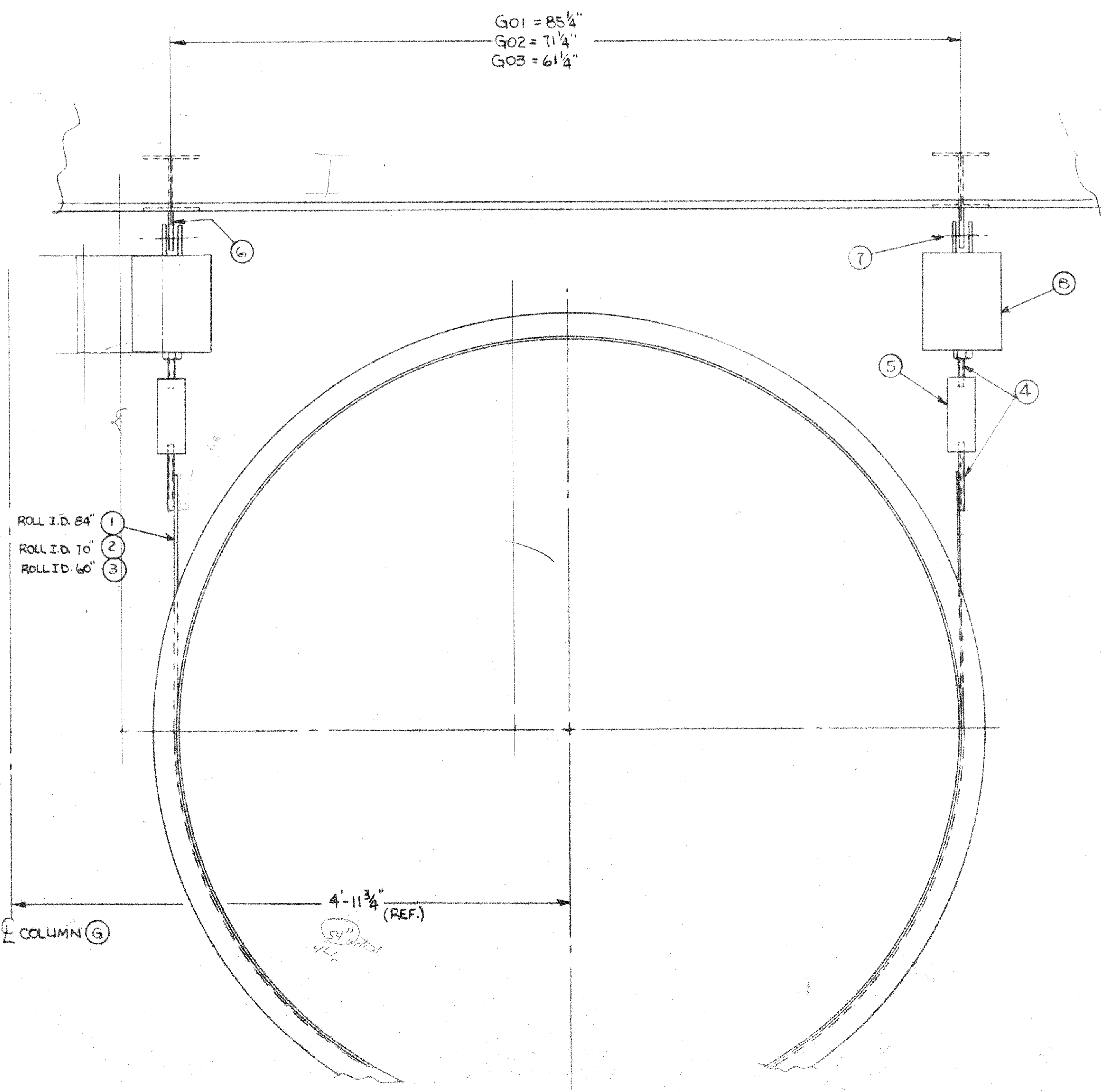


D
C
B
A



SEE SHEET 2 FOR LOCATION OF LUGS ON CENTER OF EXISTING RAFTERS.

| GROUP | | | | PARTS LIST | |
|-------|----|----|------|------------|---|
| 03 | 02 | 01 | ITEM | PART | DESCRIPTION |
| - | - | 2 | 1 | | 1/4" X 6" FB. X 187 3/8" |
| - | 2 | - | 2 | | 1/4" X 6" FB. X 165 3/8" |
| 1 | - | - | 3 | | 1/4" X 6" FB. X 149 5/8" |
| 4 | 8 | 8 | 4 | | 3/4" DIA. 10UNC X 7 LG. THD'D. ROD. |
| 2 | 4 | 4 | 5 | | ITT GRANELL TURNBUCKLE, FIG. 230 |
| 2 | 4 | 4 | 6 | | ITT GRANELL LONG LUG, FIG. 55, 3/4" ROD. |
| 2 | 4 | 4 | 7 | | ITT GRANELL CLEVIS PIN W/ GATERS, FIG. 29 |
| 2 | 4 | 4 | 8 | | ITT GRANELL SPRING HANGER, FIG. 26B |



Field Issued
Date: MAY 1 1987

ISSUED FOR CONSTRUCTION
REV 285 DATE 4/30/87

TOLERANCES:
NORMAL ±
EXCEPT AS NOTED.
HOLE LOCATION DIMENSIONS MUST BE HELD TO ±

| | | | | | |
|------------|-----------|------|-----|-----|-----------|
| PROJ. NAME | PROJ. NO. | GRP. | B/M | D/L | NEXT ASS. |
| HARFORD | P4805 | 4959 | - | | |

TOLERANCES MUST NOT BE ACCUMULATIVE.

DR RHH
DATE 4-30-87
CHK
DATE
APP
APP

Consumat Systems, Inc.
RICHMOND, VIRGINIA U.S.A.

TITLE: ENERGY DUCT, SPRING HANGERS

SCALE: 1/4" = 1'-0"