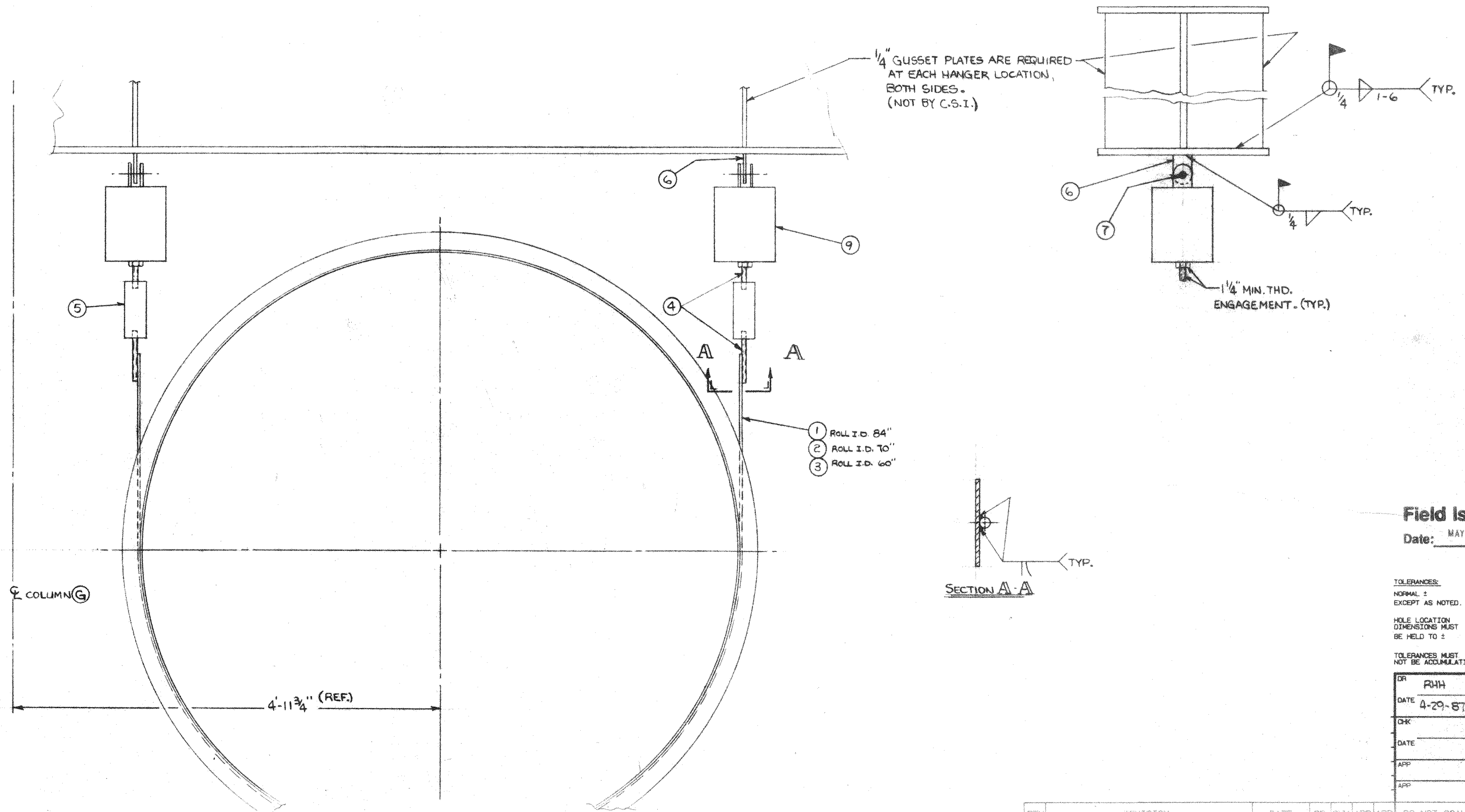
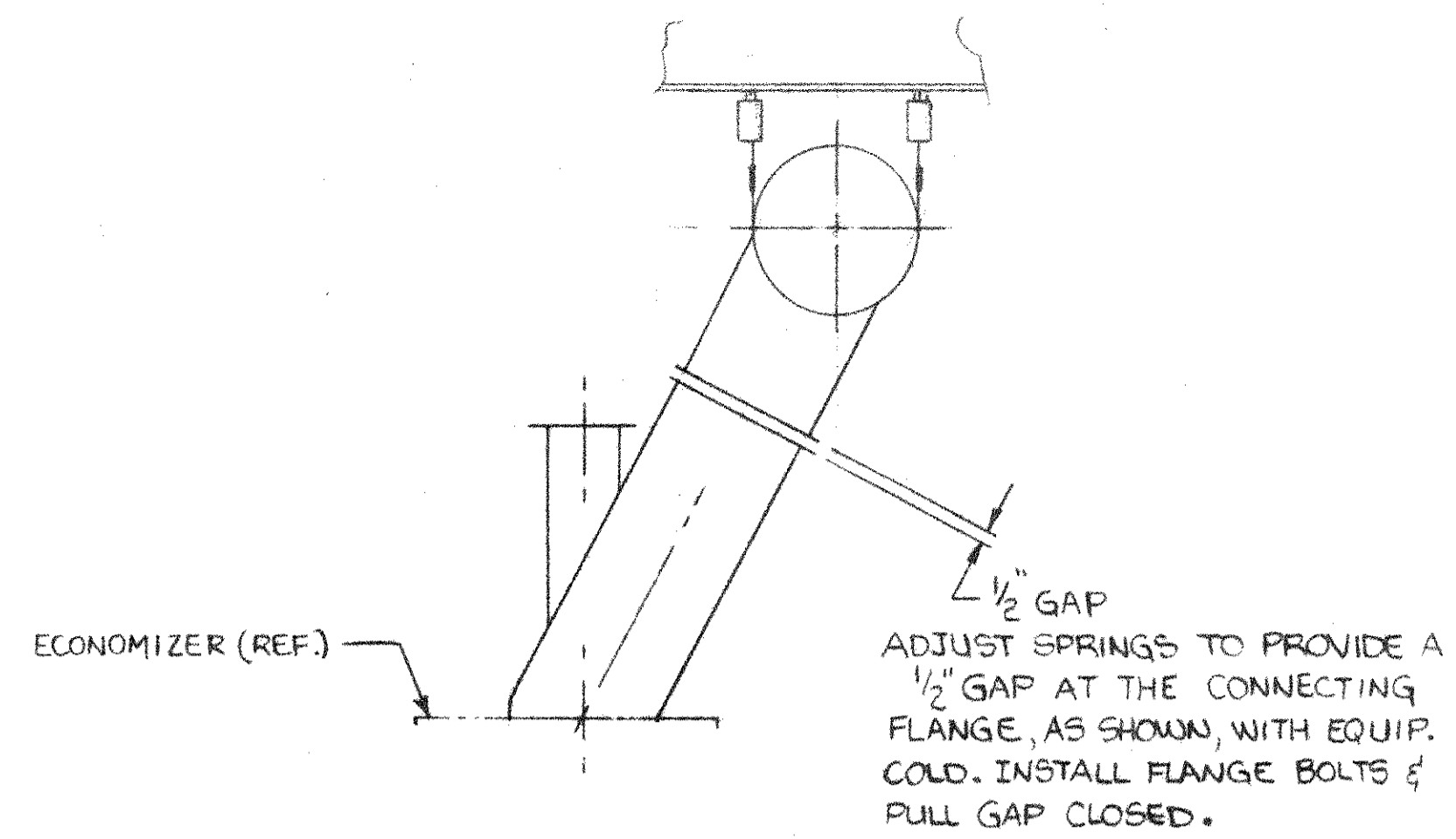


GROUP				PARTS LIST	
02	01	ITEM	PART	DESCRIPTION	
-	-	4	1	1/4" X 6" F.B. X 18 1/8"	
-	-	1	2	1/4" X 6" F.B. X 16 5/8"	
1	-	-	3	1/4" X 6" F.B. X 14 9/8"	
4	4	16	4	3/4" Ø - 10UNC X 7" LG. TH'D. ROD	
2	2	8	5	ITT GRINELL TURNBUCKLE, FIG. 230	
2	2	8	6	LONG LUG, ITT GRINELL, FIG. 55	
2	2	8	7	ITT GRINELL, CLEVIS W/ COTTERS, FIG. 24	
2	2	8	8	ITT GRINELL, SPRING HANGER, FIG. 24	



84" Ø - D28C-0181-G01
 70" Ø - D28C-0181-G02
 60" Ø - D28C-0181-G03

Field Issued

Date: MAY 1 1987

ISSUED FOR CONSTRUCTION

AUTH. SIG. KCS DATE 5/1/87

TOLERANCES:

NORMAL ±
 EXCEPT AS NOTED.

HOLE LOCATION
 DIMENSIONS MUST
 BE HELD TO ±

TOLERANCES MUST
 NOT BE ACCUMULATIVE.

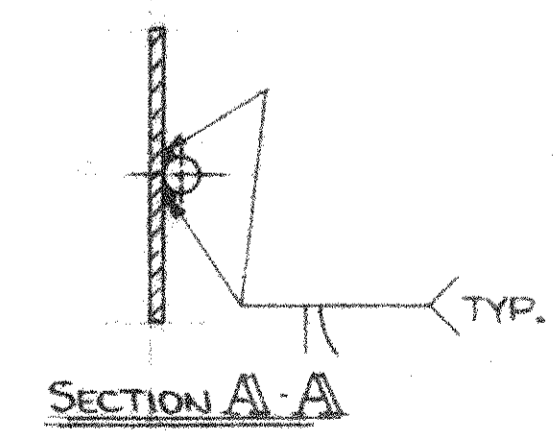
DR	RHH				
DATE	4-29-87				
CHK					
DATE					
APP					
APP					

THIS DRAWING IS THE PROPERTY OF CONSUMAT SYSTEMS, INC. IT IS TO BE USED ONLY FOR THE PROJECT AND SITE SPECIFICALLY IDENTIFIED HEREON. IT IS NOT TO BE REPRODUCED, COPIED, REPRODUCED, LOANED OR IN ANY MANNER WITHOUT WRITTEN PERMISSION OF CONSUMAT SYSTEMS, INC.

Consumat Systems
 RICHMOND, VIRGINIA U.S.A.

TITLE: ENERGY DUCT, SPRING HANGER
 STD. MOUNTING

SCALE: D 28C-0181



D
C
B
A

REV	REVISION	DATE	DR	CHK	APP	APP	DO NOT SCALE
-----	----------	------	----	-----	-----	-----	--------------