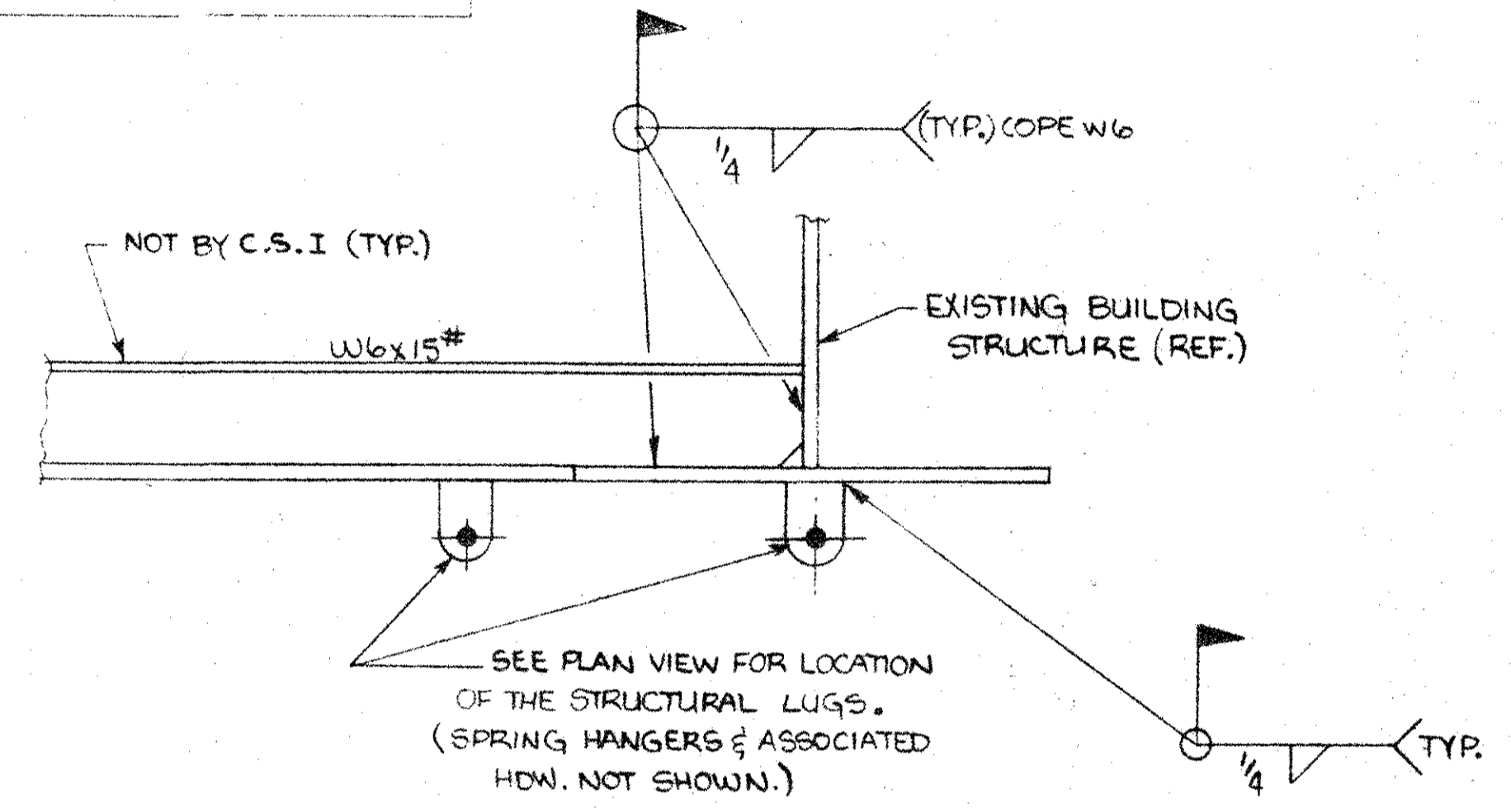
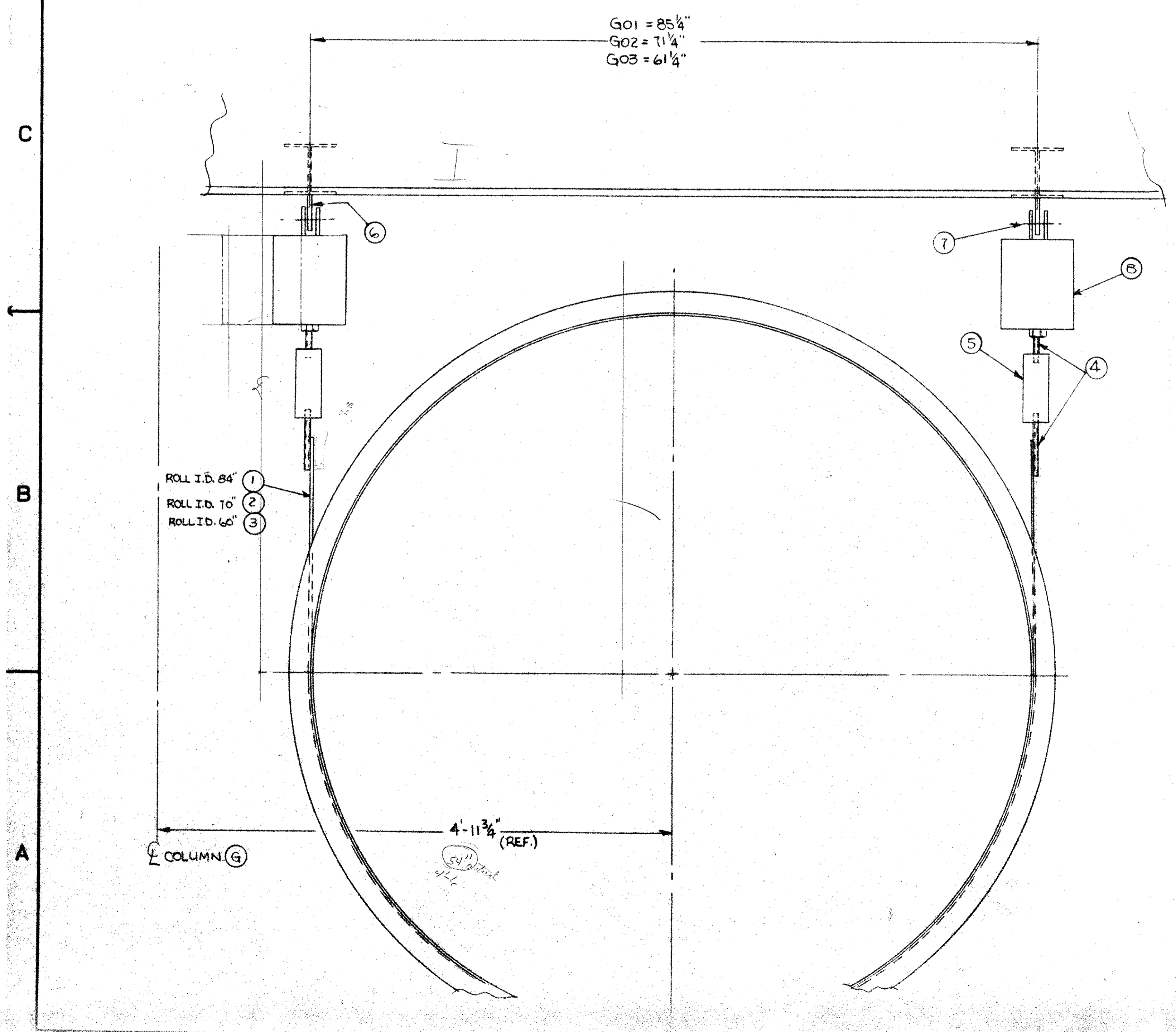
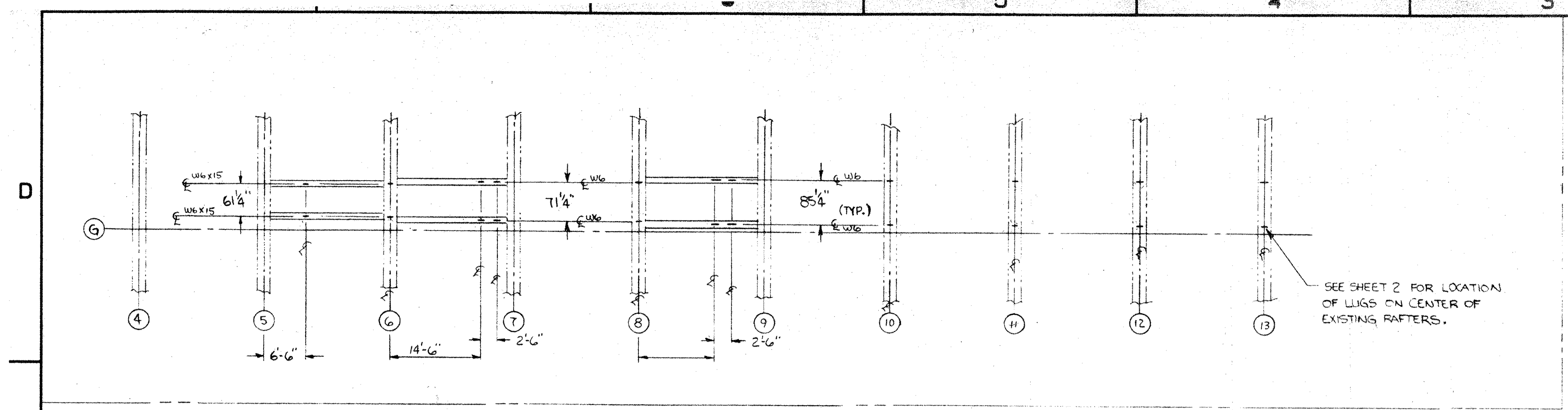


GROUP		PARTS LIST		DESCRIPTION
02	01	ITEM	PART	
-	-	2	1	1/4" X 6" F.B. X 187 3/8"
-	2	-	2	1/4" X 6" F.B. X 165 3/8"
1	-	-	3	1/4" X 6" F.B. X 149 5/8"
4	8	8	4	3/4" DIA. CONC. X 7' LG. THD D. ROD.
2	4	4	5	ITT GRANNEL TURNBUCKLE, FIG. 230, 3/4"
2	4	4	6	ITT GRANNEL LONG LUG, FIG. 55, 3/4" ROD.
2	4	4	7	ITT GRANNEL CLEVIS PIN W/ WOTERS, FIG. 291, 3/4"
2	4	4	8	ITT GRANNEL SPRING HANGER, FIG. 268, 3/4"



Field Issued
 Date: MAY 1 1987

ISSUED FOR CONSTRUCTION
 AUTH: RES
 SIG: [Signature]
 DATE: 4/30/87

TOLERANCES:
 NORMAL ±
 EXCEPT AS NOTED.

HOLE LOCATION DIMENSIONS MUST BE HELD TO ±

TOLERANCES MUST NOT BE ACCUMULATIVE.

HARFORD	P4805	4959	-		
PRJ. NAME	PRJ. NO.	GRP.	S/W	D/L	NEXT HSP.

THIS DRAWING IS THE PROPERTY OF CONSUMAT SYSTEMS, INC. AND IS TO BE USED ONLY FOR THE PROJECT AND SITE SPECIFIC FOR CONSUMAT SYSTEMS, INC. SUBJECT TO RETURN UPON DEMAND AND IS NOT TO BE REPRODUCED, COPIED, REPRODUCED, LOANED OR USED IN ANY WAY WITHOUT WRITTEN PERMISSION OF CONSUMAT SYSTEMS, INC.

DR: RHH
 DATE: 4-30-87

CHK: _____
 DATE: _____
 APP: _____
 APP: _____

SCALE: _____
 SIZE: DWG NO. 28C-0101