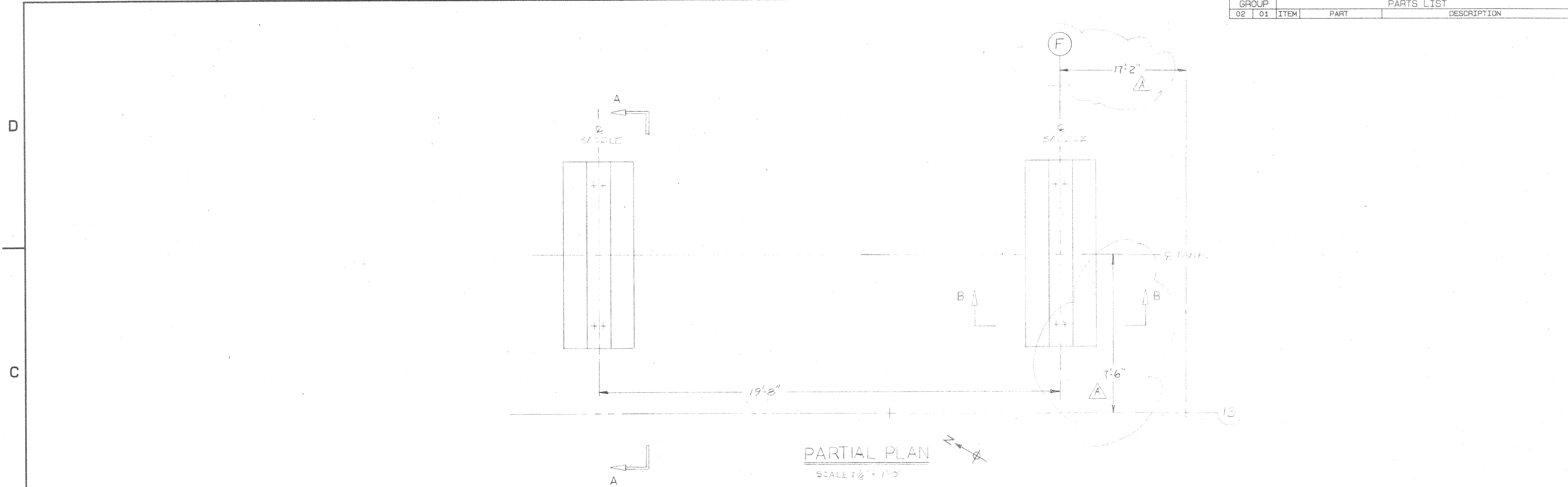


8 7 6 5 4 3 2 1

GROUP		PARTS LIST		
02	01	ITEM	PART	DESCRIPTION

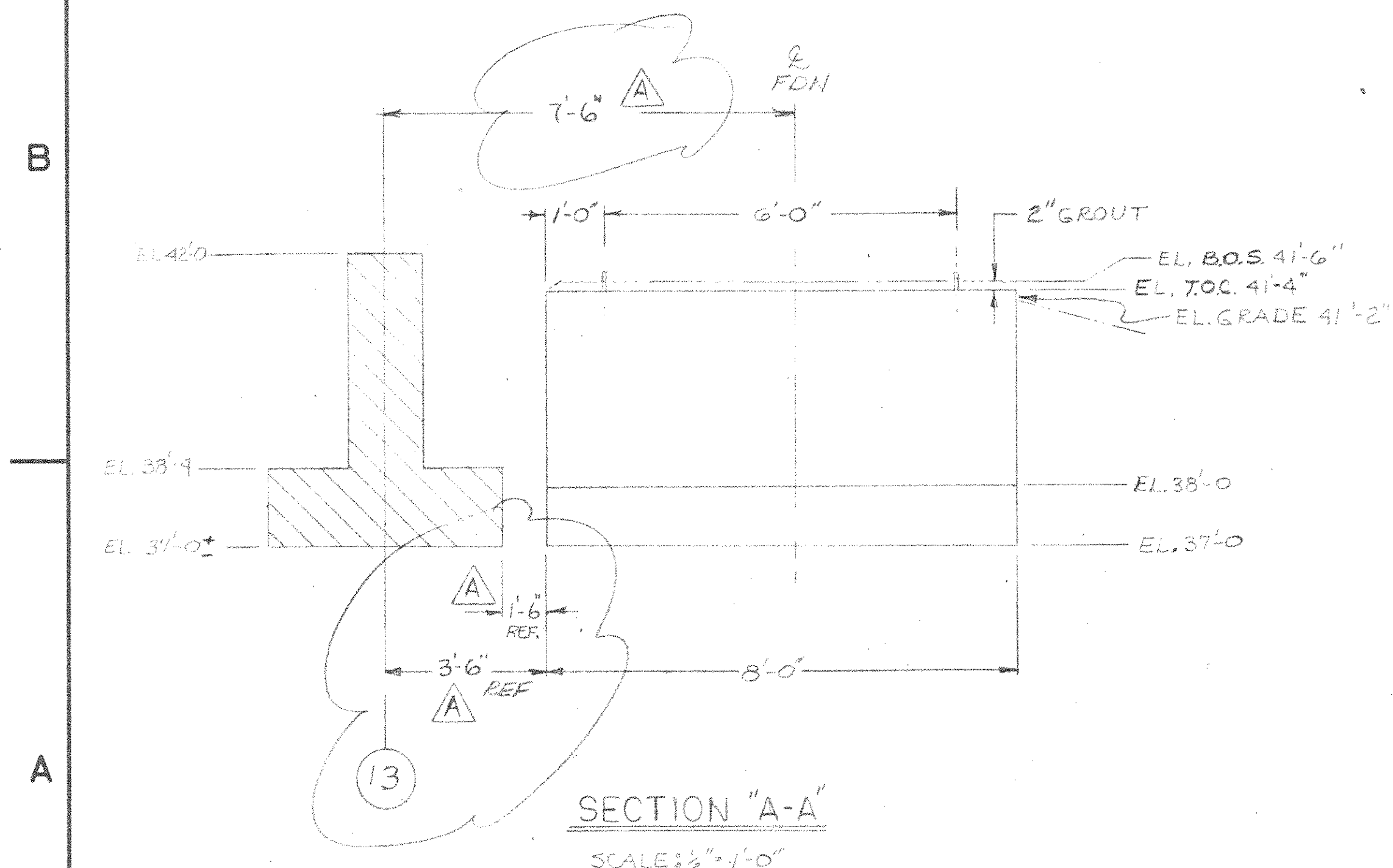


PARTIAL PLAN

SCALE: 3/8" = 1'-0"

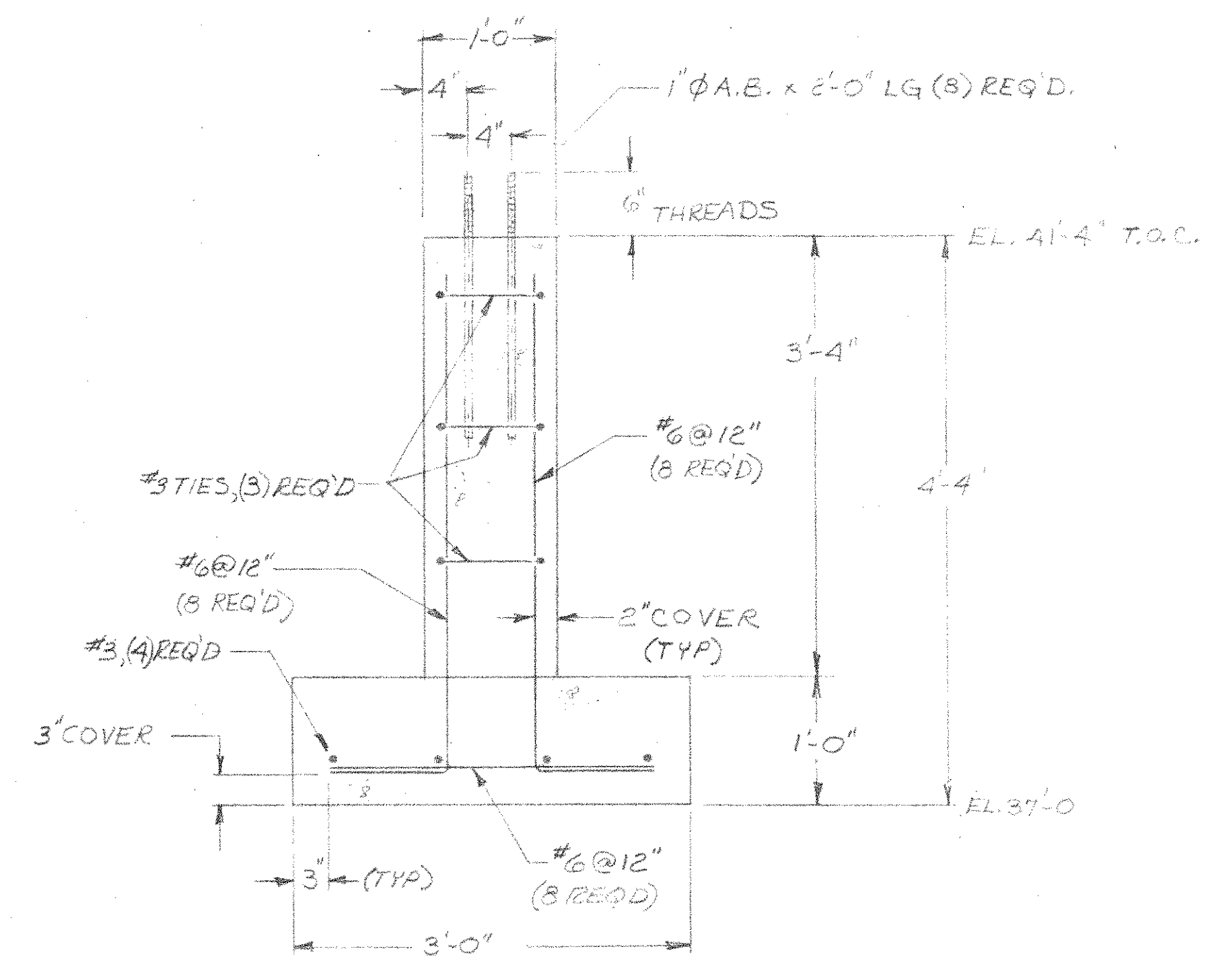
NOTES:

1. CONCRETE SHALL BE 3000 PSI COMPRESSIVE STRENGTH @ 28 DAYS.
2. REINFORCING STEEL SHALL BE GRADE A 615 DEFORMED BARS 60000 PSI YIELD.
3. ALL CONCRETE CONSTRUCTION SHALL CONFORM TO LATEST ACI CODE.



SECTION "A-A"

SCALE: 3/8" = 1'-0"



SECTION "B-B"

SCALE: 1" = 1'-0"

TOLERANCES:
NORMAL:
EXCEPT AS NOTED.
HOLE LOCATION
DIMENSIONS MUST
BE HELD TO ±

PROJ. NAME	PROJ. NO.	DRP.	B/M	D/L	NEXT HIGHER ASSY.
HARFORD	7624				

TOLERANCES MUST
NOT BE ACCUMULATIVE.
DR: *RKH*
DATE: *7/27/87*
CHK: *RSL*
DATE: *7/28/87*
APP: *RCS*

Consumat Systems, Inc.
RICHMOND, VIRGINIA U.S.A.

TITLE: **FOUNDATION PLAN**
CONTINUOUS BLOWDOWN SURGE TANK
HARFORD CO. RESOURCE RECOVERY FACILITY
HARFORD COUNTY, MARYLAND

REV	REVISION	DATE	DR	CHK	APP	APP	DO NOT SCALE	REFERENCE	SCALE	SIZE	DWG. NO.	REV.
A	7'-2" WAS 6'-9", 1'-6" WAS 9", 3'-6" WAS 2'-9" REMOVE DIM 1'-4", ADD DIM 17'-2"	8-3-87							AS NOTED	D	7624-0000-42PI-025	A

8 7 6 5 4 3 2 1