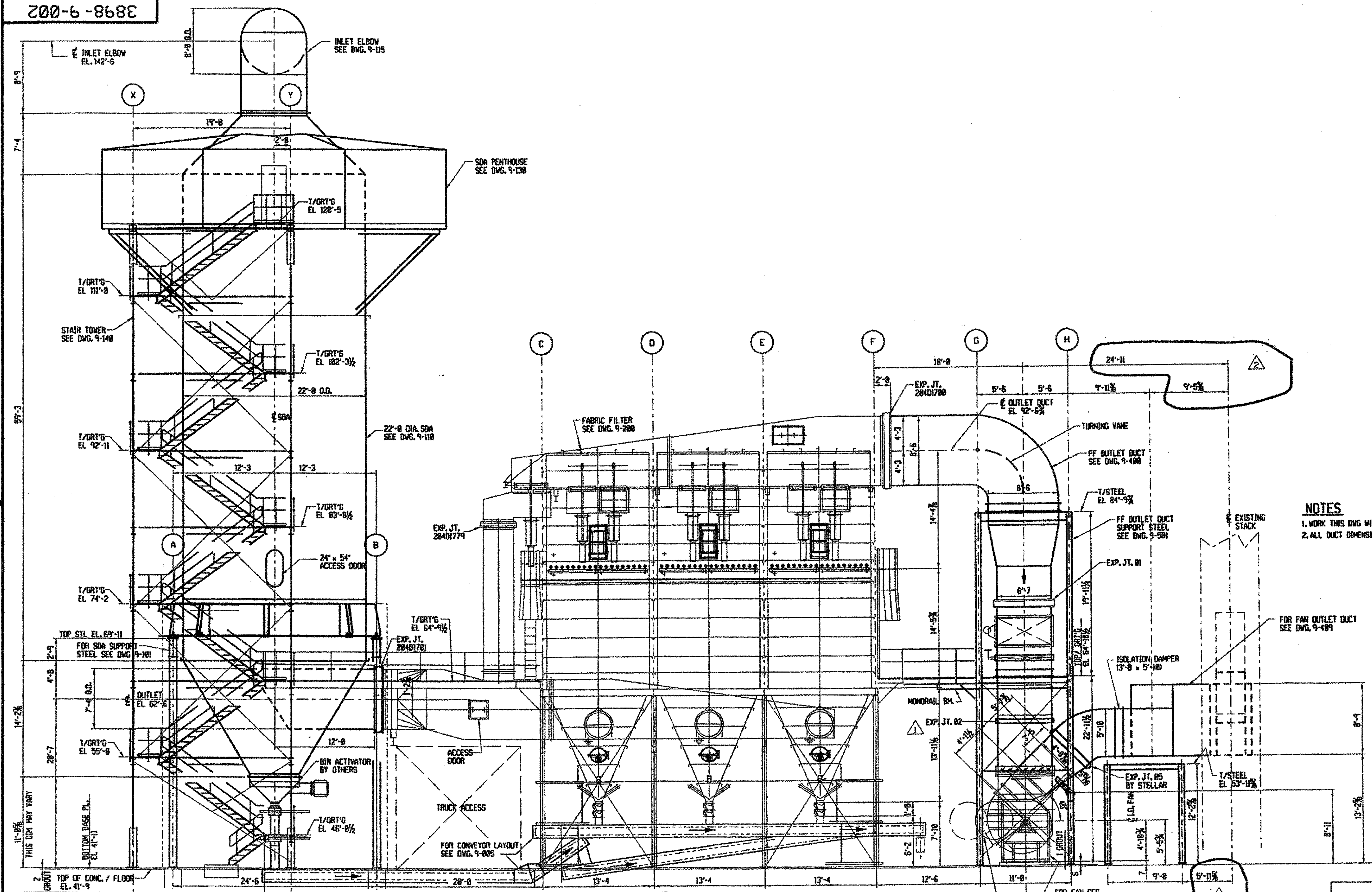


3898-9-002



NOTES
 1. WORK THIS DNG WITH DNGS 9-001 THRU 9-007.
 2. ALL DUCT DIMENSIONS ARE OUT TO OUT OF PLATE U.I.

SECTION A-A
 (LOOKING WEST)

This print and all information thereon is the property of Wheelabrator A.P.C. It is confidential and proprietary and must not be used, made public, or copied unless authorized in writing by Wheelabrator A.P.C. It is transmitted to you with the explicit understanding that it is subject to return upon request.

NOTE: FABRICATION, MANUFACTURING OR DETAILING MAY PROCEED ONLY WHEN DRAWING IS ISSUED OR AUTHORIZED FOR SUCH PURPOSES.

NO.	REVISION	DATE	NO.	REVISION	DATE
0	DRAWING CHECKED	1-18-85			
1	MOVED EXP. JT. B2	2-24-85			
2	CHANGED STACK LOCATION DIMENSIONS/SURVEYOR	3-22-85			

REV.	DATE	TO	FOR
0	1-13-85	SOUTHEASTERN	REFERENCE
0	1-13-85	OSH	REFERENCE
1	2-24-85	STELLAR	CONSTRUCTION
2	3-28-85	STELLAR	CONSTRUCTION

REV.	DATE	TO	FOR

DWG. BY: KRESIAK DATE: 04-22-84
 CHD. BY: PCB DATE: 01-18-85
 APPR. BY: HNS DATE: 2-24-85
 SCALE: 3/16"=1'-0"
 CERTIFIED BY: DATE:

STELLAR/HARFORD WTE FACILITY RETROFIT
JOPPA, MD
GENERAL ARRANGEMENT
SECTION A-A

Wheelabrator Air Pollution Control Inc.
 3898-9-002
 REV. NO. 2

\$FILES

PLOT DATE: 8/2/85 *TIMES
 LAST PLOTTED BY: LUSTN.USERNAME:16