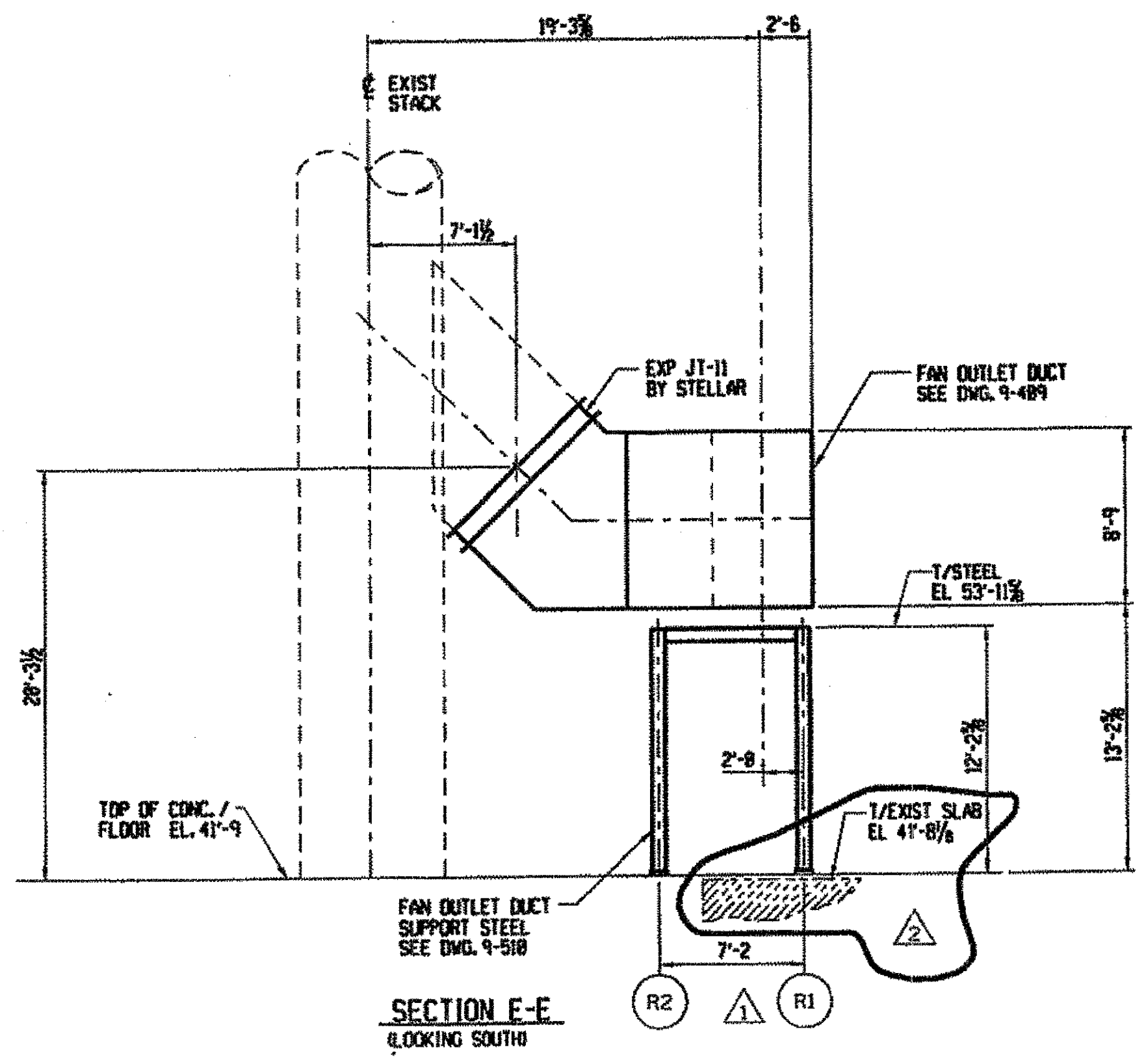
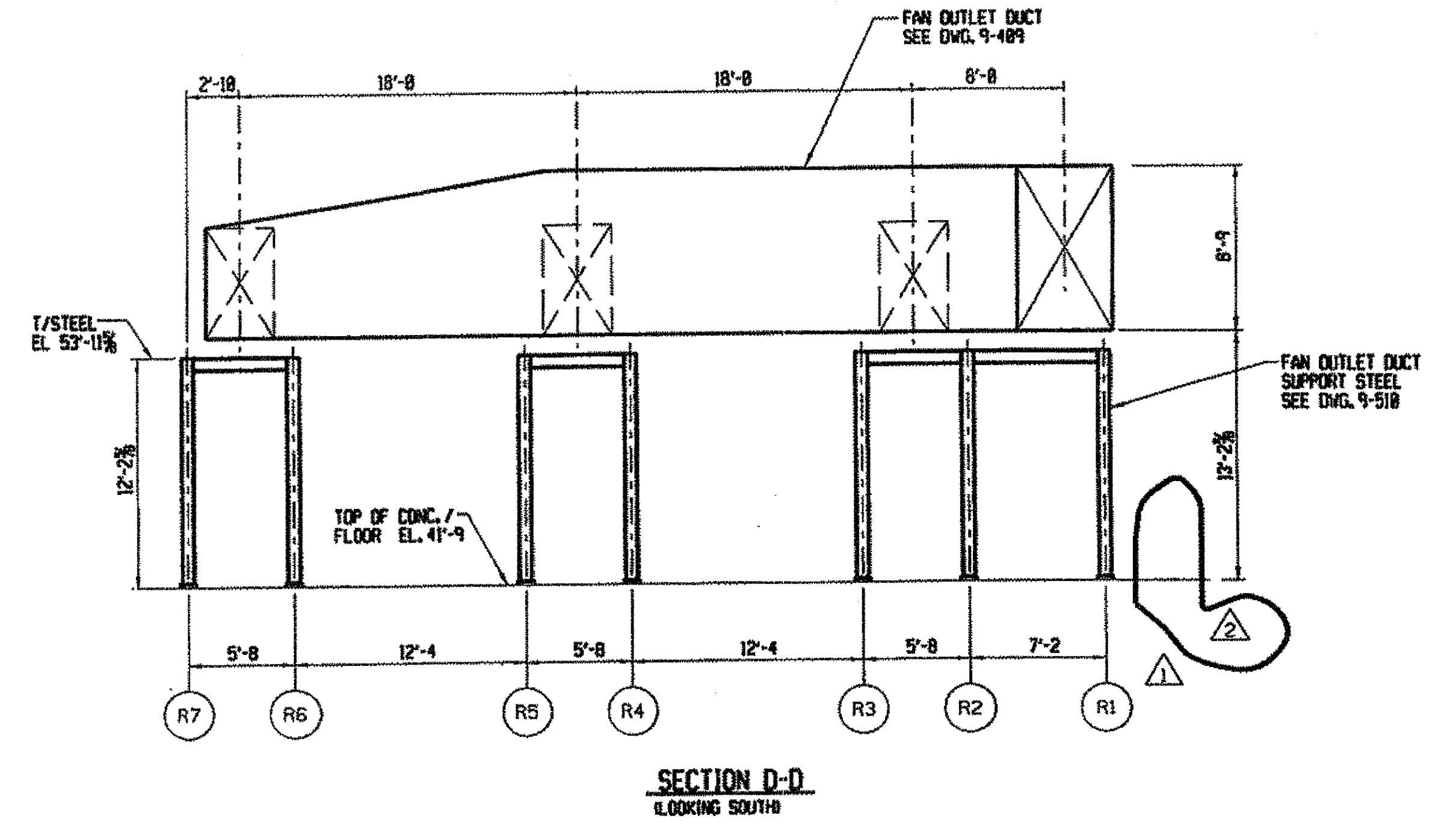
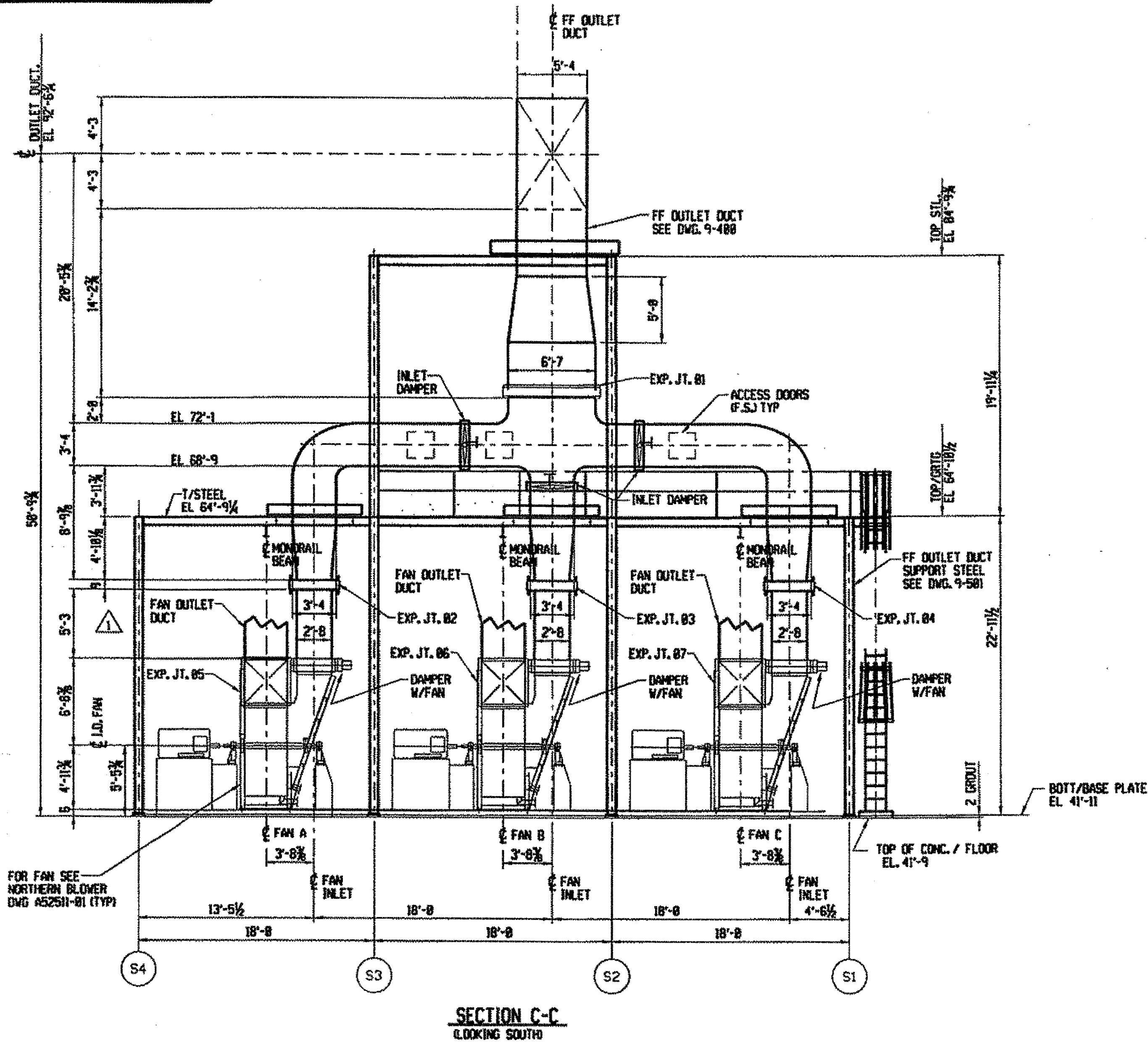


3898-9-003



NOTES
 1. WORK THIS DWG. WITH DWGS 9-001 THRU 9-007
 2. ALL DUCT DIMENSIONS ARE OUT TO OUT OF PLATE U.M.

This print and all information thereon is the property of Wheelabrator A.P.C. It is confidential and proprietary and must not be used, made public, or copied unless authorized in writing by Wheelabrator A.P.C. It is transmitted to you with the explicit understanding that it is subject to return upon request.

NOTE
 FABRICATION, MANUFACTURING, OR DETAILING MAY PROCEED ONLY WHEN DRAWING IS ISSUED OR AUTHORIZED FOR SUCH PURPOSES.

NO.	REVISION	DATE	NO.	REVISION	DATE	REV.	DATE	TO	FOR	REV.	DATE	TO	FOR	REV.	DATE	TO	FOR	DRW. BY	DATE	SCALE	CERTIFIED	DATE	BY	DATE	STELLAR/HARFORD WTE FACILITY RETROFIT JOPPA, MD GENERAL ARRANGEMENT SECTIONS C-C, D-D, E-E	WHEELABRATOR AIR POLLUTION CONTROL INC.	3898-9-003	REV. NO. 2	
0	DRAWING CHECKED	10-18-05				0	1-13-05	SOUTHEASTERN	REFERENCE										NAG	10-20-04									
1	REVISED SECTS C-C, D-D & E-E	2-24-05				1	1-13-05	DSH	REFERENCE										PCB	01-10-05	3/8"=1'-0"								
2	REMOVED GROUT DIMENSIONS ON SECTS D-D & E-E	3-22-05				1	2-24-05	STELLAR	CONSTRUCTION										HNS	2-24-05									
						2	3-28-05	STELLAR	CONSTRUCTION																				

\$FILES\$

PLOT DATE: #DATE# @TIME#
 LAST PLOTTED BY: #LUSTN.USERNAME#