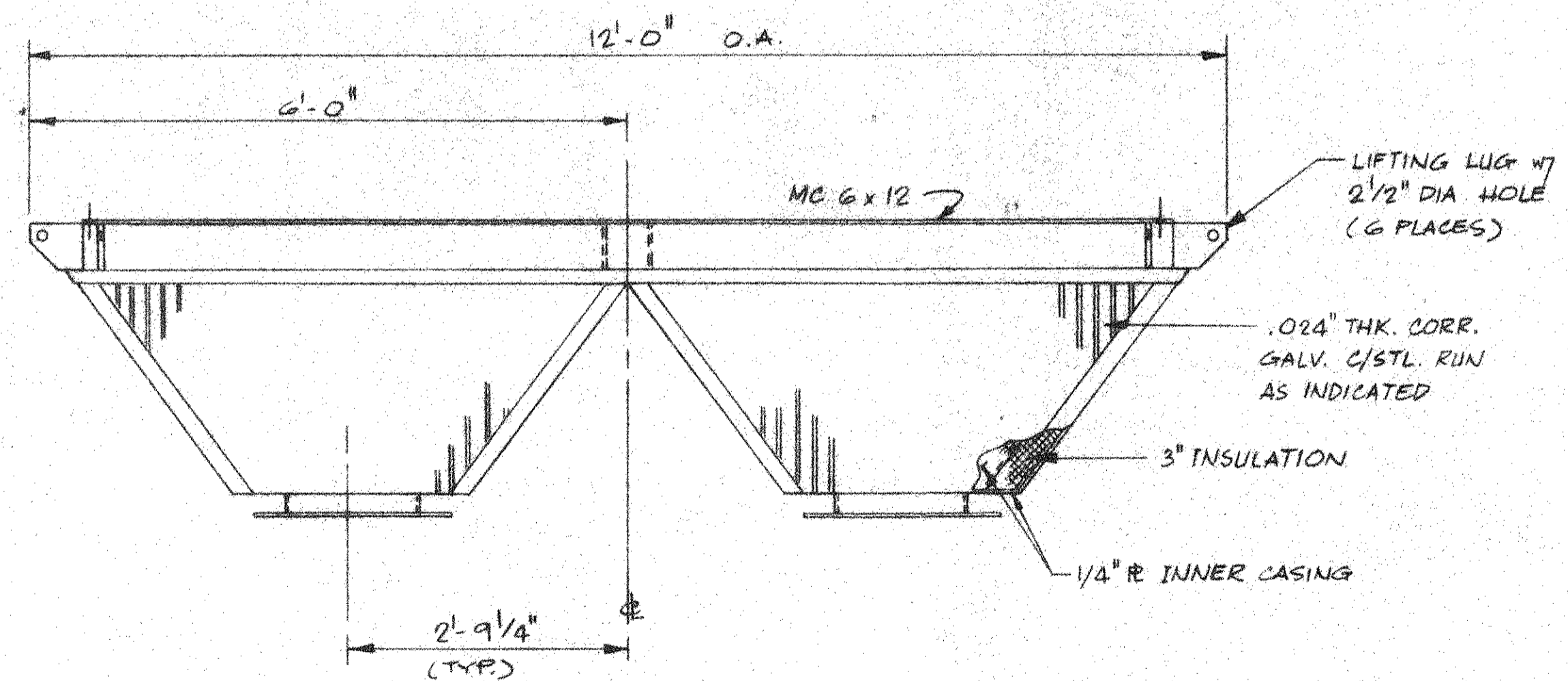


FLANGE DETAIL
(TYP)



Field Issued
Date: FEB 2 1987

EST. WEIGHT OF UNIT : 3,000#
NO. REQ'D : 3 AS SHOWN
PAINT : ONE COAT (1 MIL DFT) ALUMINUM
PAINT ON ALL EXPOSED EXTERIOR
SURFACES EXCEPT GALVANIZED CASING

CERTIFIED FOR CONSTRUCTION BY: <i>David B. ...</i> DATE: AUG 25 1986	REVISIONS	DWN. P.D.L.E. 8-18-86		HOPPER ASSEMBLY		
		CHKD. CC 8-18-86		FOR ABCO	SCALE NONE	DWG. NO. G1214-4
		APPR.			REV. NO. 1	
CERTIFIED FOR CONSTRUCTION		P.D.L.E. 8-25-86				