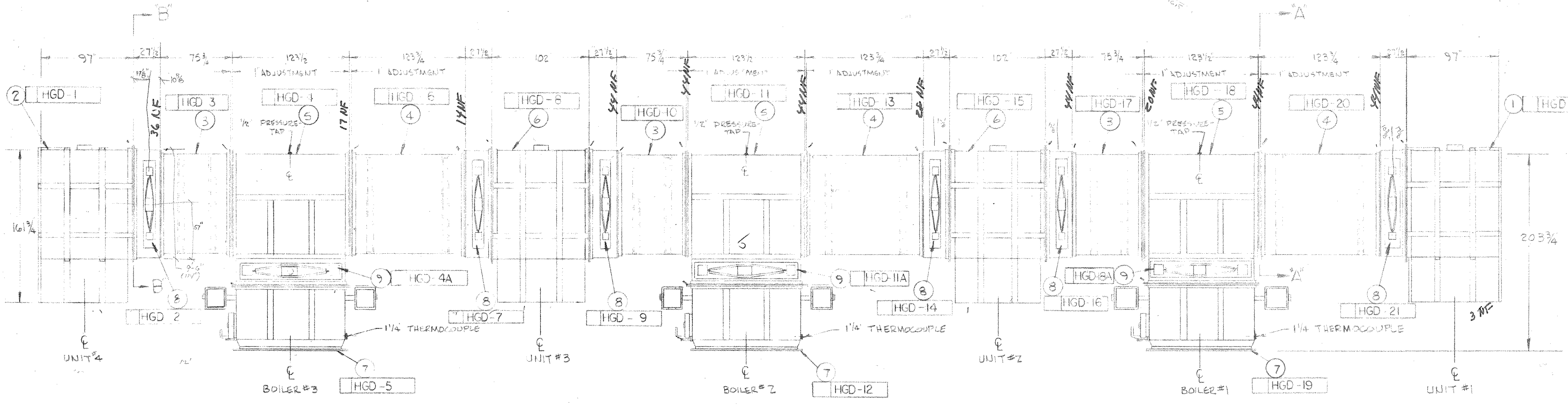
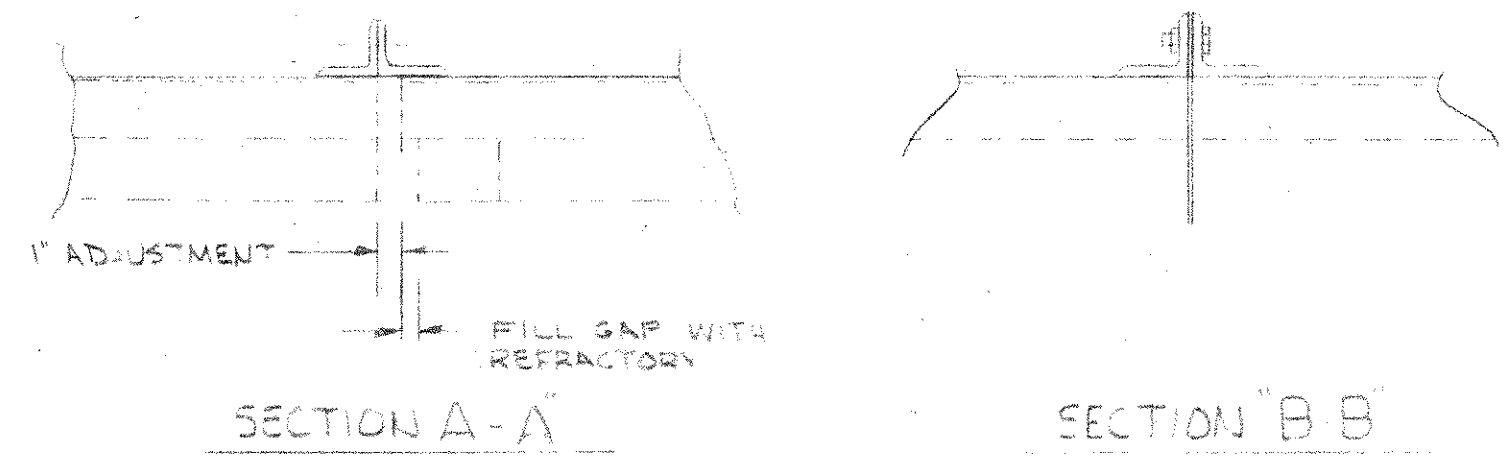


GROUP			PARTS LIST	
02	01	ITEM	PART	DESCRIPTION
1	1	D-26A-0048 G01		ELBOW
1	2	D-26A-0048 G02		ELBOW
3	3	D-26P-0021 G02		STRAIGHT
3	4	D-26P-0021 G01		STRAIGHT
3	5	D-26B-0030 G01		BOILER TEE
2	6	D-26B-0029 G01		TEE
3	7	D-26N-0013 G01		TRANSITION
6	8	D-26C-0169		ISOLATION GATE 83 3/4
3	9	D-26C-0180		ISOLATION GATE 93

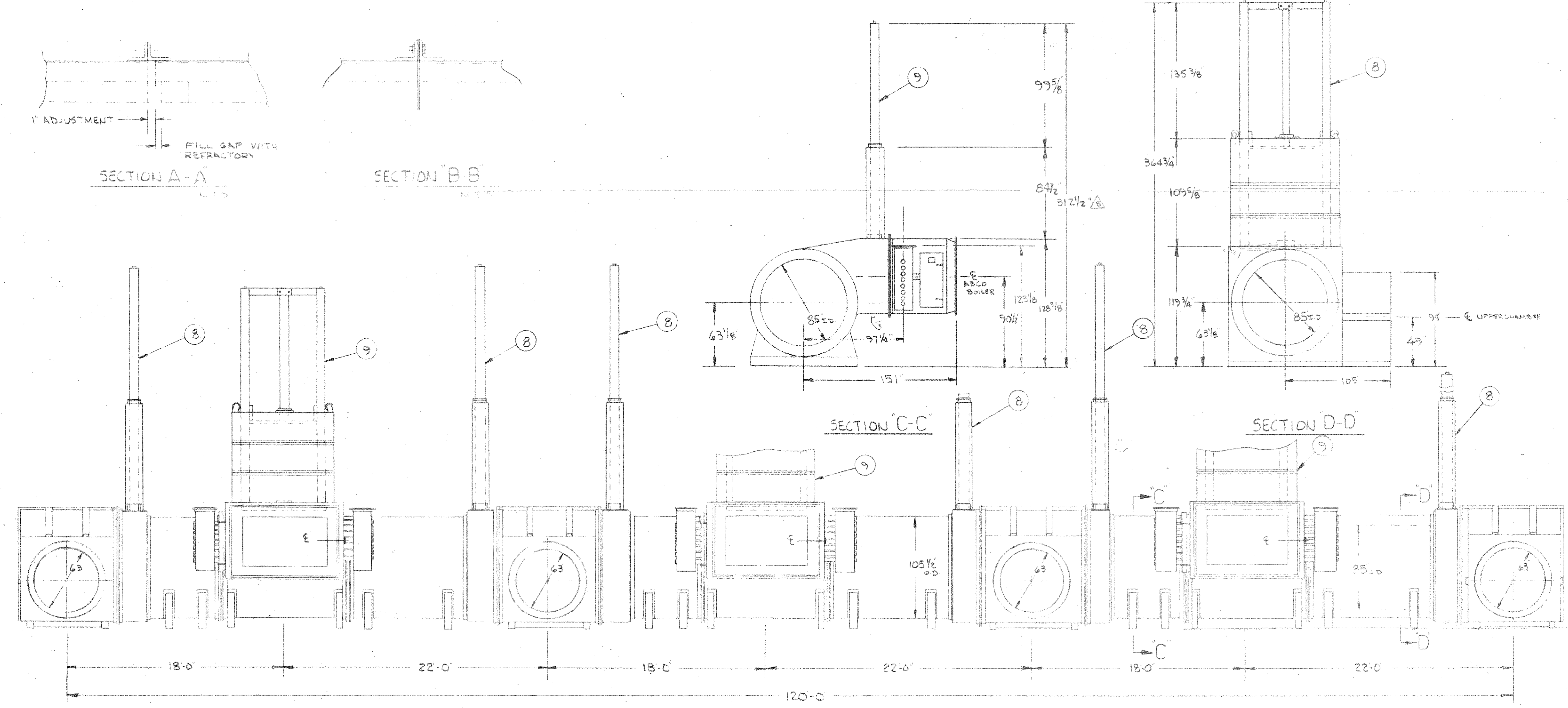


SHIPPING ID. NO.
UNIT NO. COMPONENT PART ID. NO.



APPROXIMATE WEIGHTS		
ITEM	DESCRIPTION	POUNDS (EACH)
1	ELBOW	40,000
2	ELBOW	40,000
3	STRAIGHT	25,000
4	STRAIGHT	16,000
5	BOILER TEE	37,000
6	TEE	35,000
7	TRANSITION	10,000
8	ISOLATION GATE	10,000
9	ISOLATION GATE	8,000

TOTAL WEIGHT 516,000 POUNDS



HARFORD	PABOS	01	-	-	D-26-0161
CSI PROCESS SPEC	NUMBER	GROUP	B/M	D/L	NEXT HIGHER ASSY

HOT GAS DUCT ASSEMBLY
CS 3000E

Consumat Systems, Inc.
RICHMOND, VIRGINIA U.S.A.

THIS DRAWING IS THE PROPERTY OF CONSUMAT SYSTEMS INC. AND IS TO BE USED ONLY FOR PRODUCING ITEMS ON ORDER FOR CONSUMAT SYSTEMS INC. SUBJECT TO RETURN UPON DEMAND AND IS NOT TO BE PRINTED, PHOTOGRAPHED, COPIED, REPRODUCED, LOANED OR USED IN ANY WAY WITHOUT WRITTEN PERMISSION OF CONSUMAT SYSTEMS INC.

C	ADDED SHIPPING ID. NO. 5	11-12-80	DMH	SCALE 3/16"=1'-0"	DRAWN DMH	DRAWING NO.
B	ADDED FLANGE INDENT + ISOLATION WATER	10-3-80	DMH	DATE 9-3-80	CHK	D-26-0161
A	ADDED ITEMS 8 & 9	9-20-80	DMH	DO NOT SCALE	APPR	SHEET OF
NO	REVISION	DATE	BY			