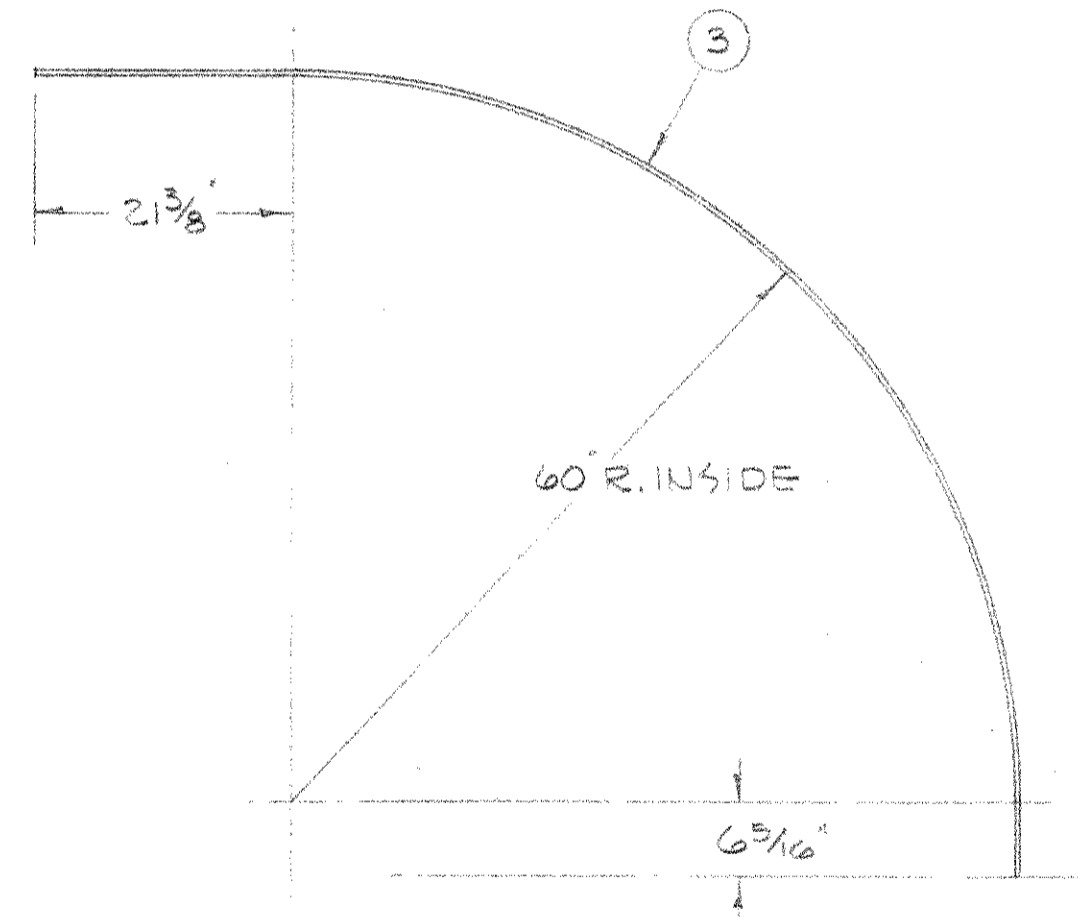
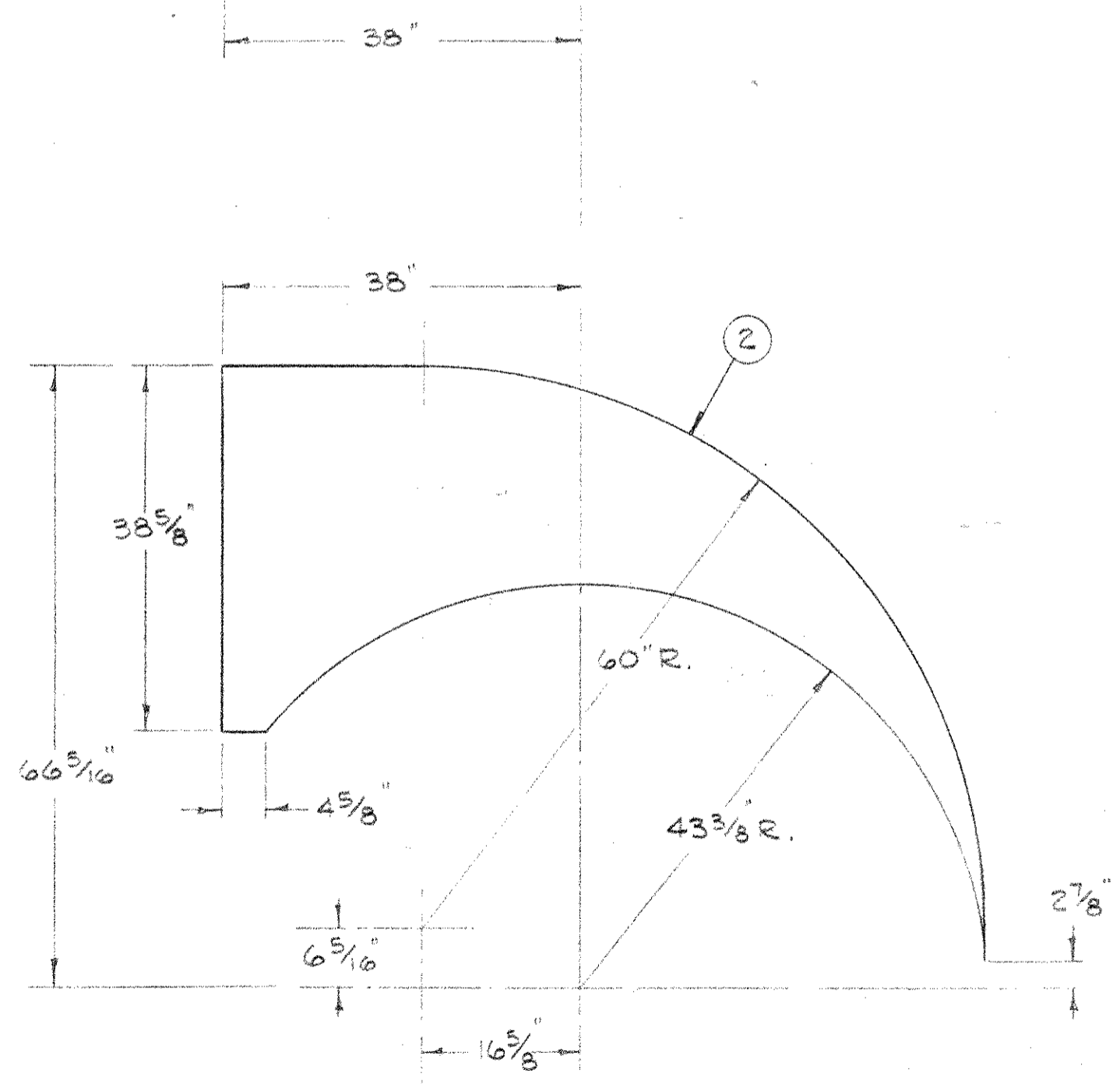
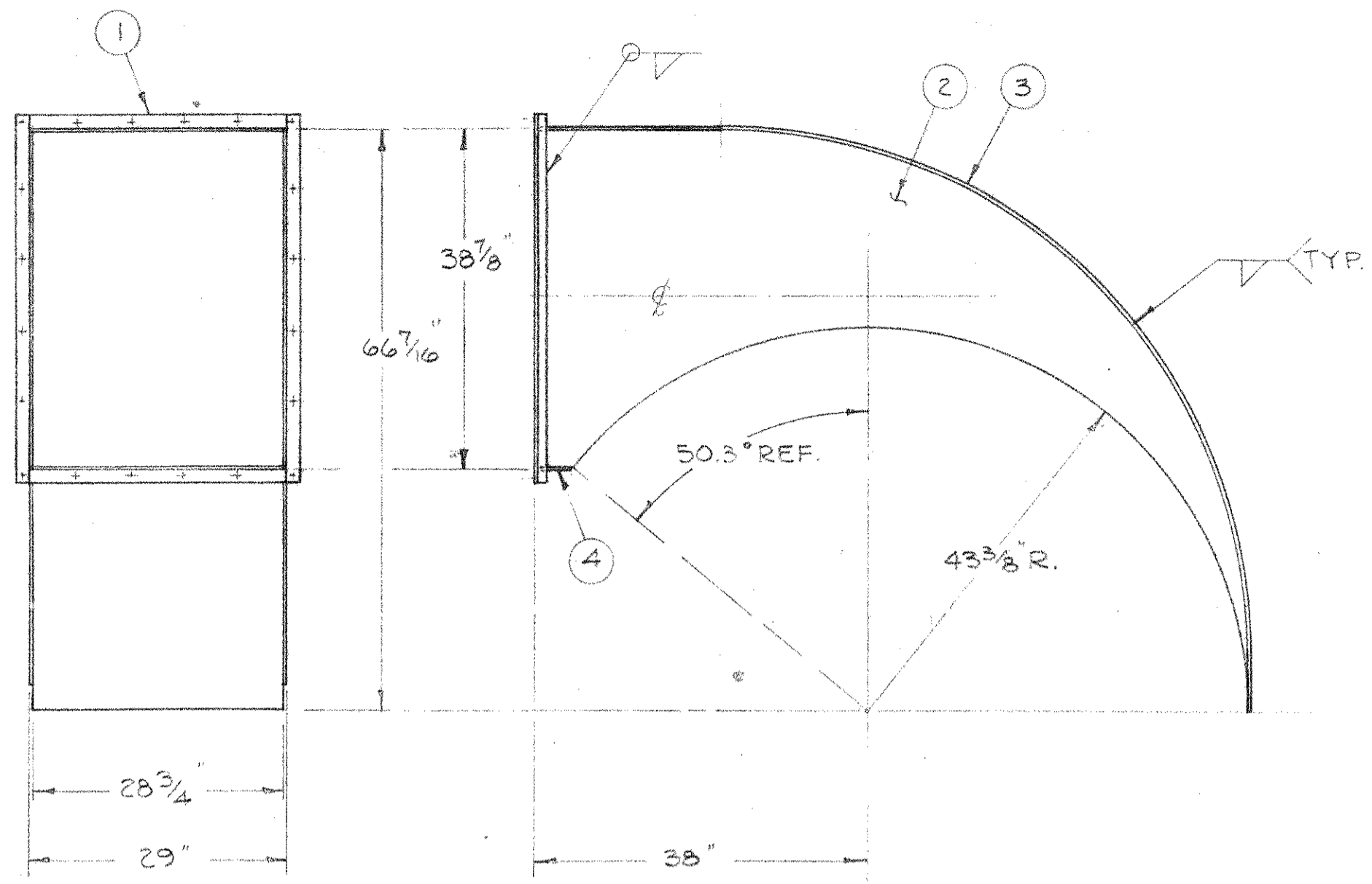
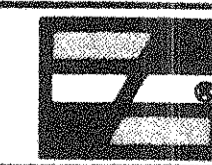


GROUP		PARTS LIST		
02	01	ITEM	PART	DESCRIPTION
1	1	A-31G-0113	GOI	FLANGE - T/C FAN 345
2	2			10 GA. x 64 x 82
1	3			10 GA. x 28 3/4 x 122 1/2
1	4			10 GA. x 4 7/16 x 28 3/4



01	4576	3783		
GROUP	B/M	D/L	NEXT HIGHER ASSY	

INLET SECTION - U/C SHROUD DUCT



Consumat Systems, Inc.
RICHMOND, VIRGINIA U.S.A.

THIS DRAWING IS THE PROPERTY OF CONSUMAT SYSTEMS INC., AND IS TO BE USED ONLY FOR PRODUCING ITEMS ON ORDER FOR CONSUMAT SYSTEMS INC. SUBJECT TO RETURN UPON DEMAND AND IS NOT TO BE PRINTED, PHOTOGRAPHED, COPIED, REPRODUCED, LOANED OR USED IN ANY WAY WITHOUT WRITTEN PERMISSION OF CONSUMAT SYSTEMS INC.

NO.	REVISION	DATE	BY	DO NOT SCALE	APPR.	SHEET	OF	REV.
-----	----------	------	----	--------------	-------	-------	----	------

SCALE 3/4"=1'-0"	DRAWN EAM	DRAWING NO.
DATE 3-20-80	CHK. LEW 3/2/80	C-31G-0112