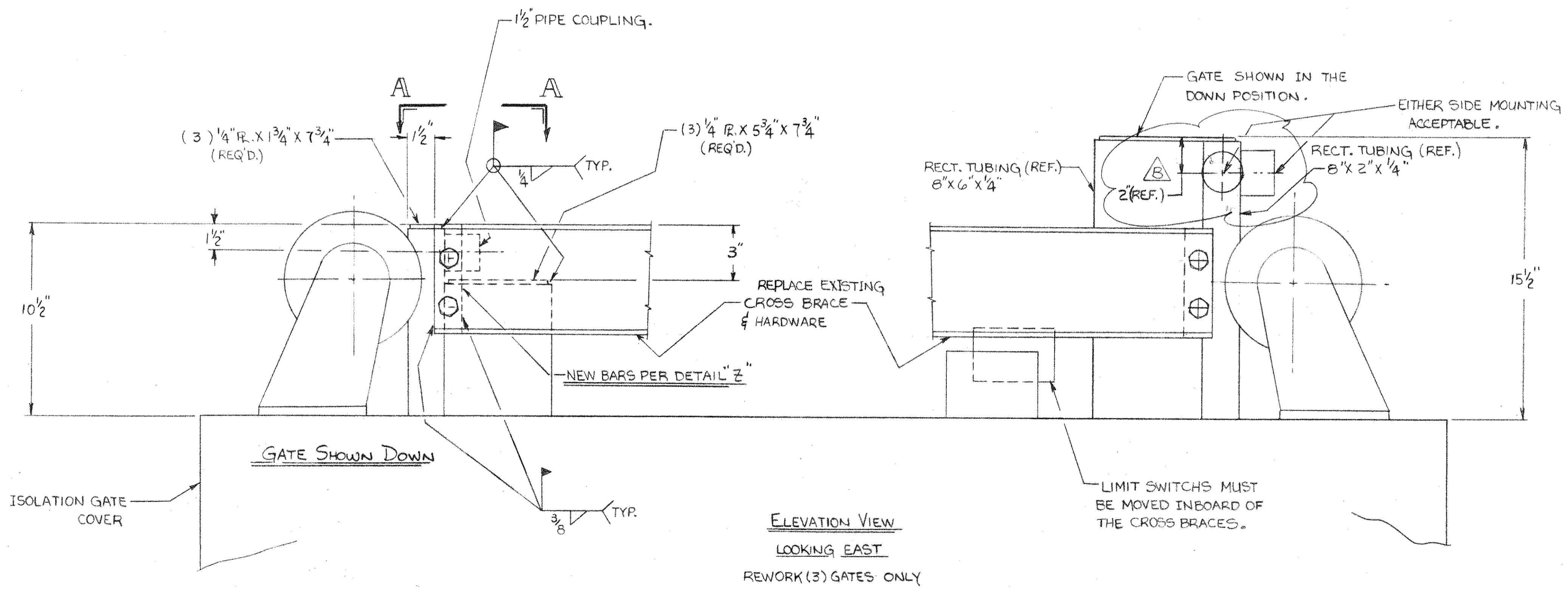
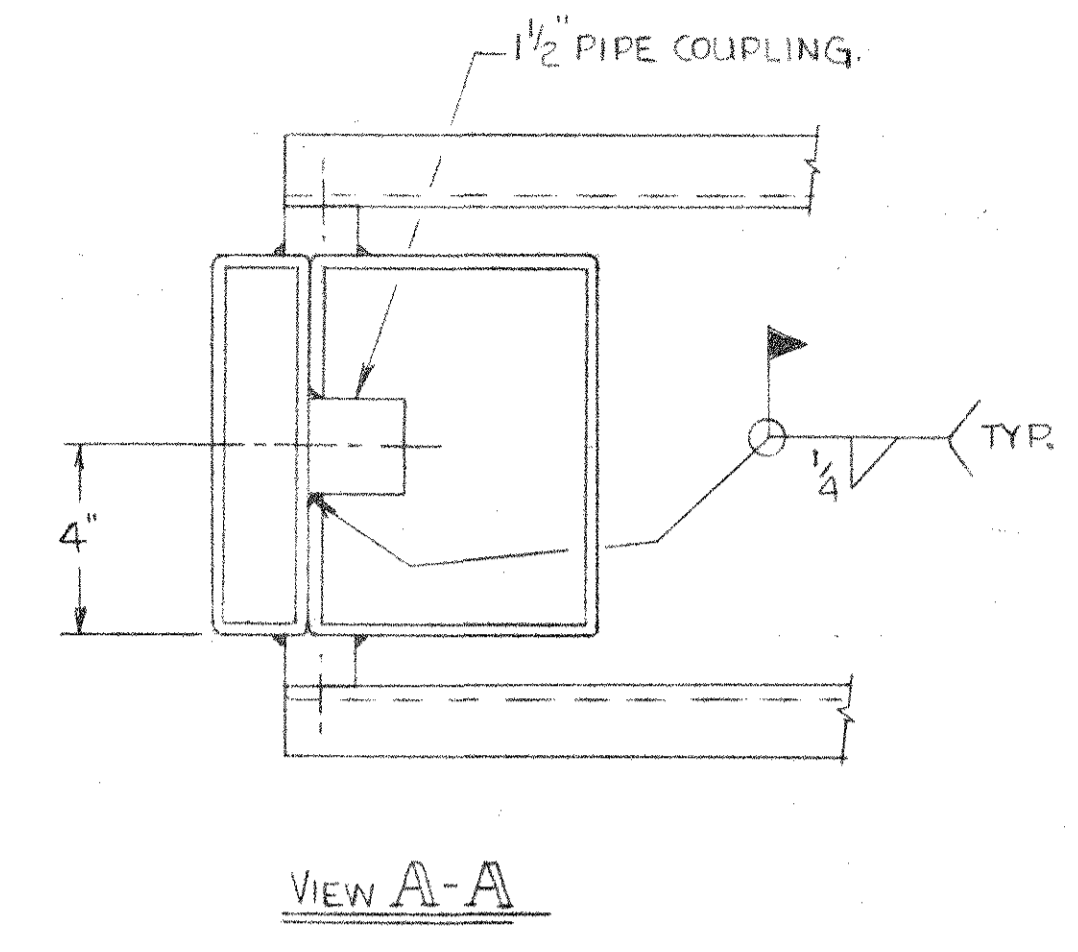
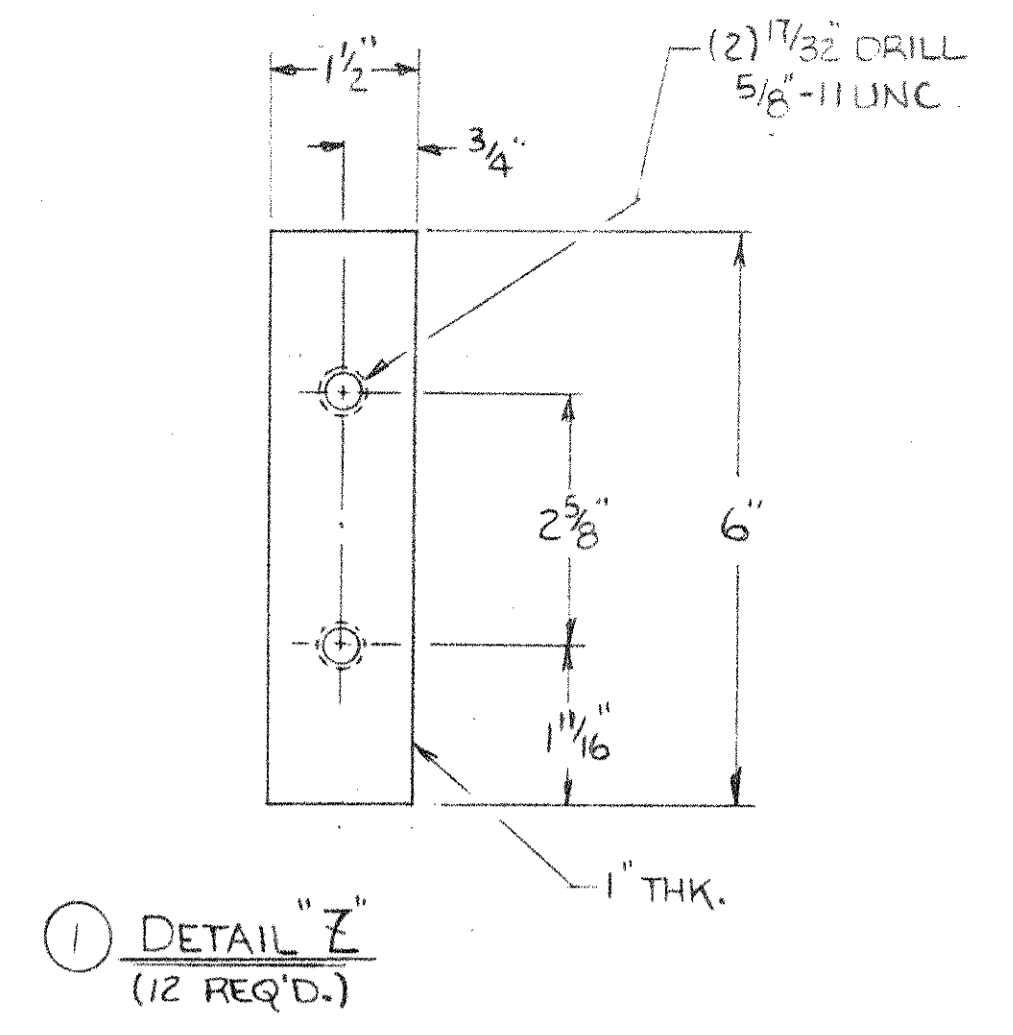
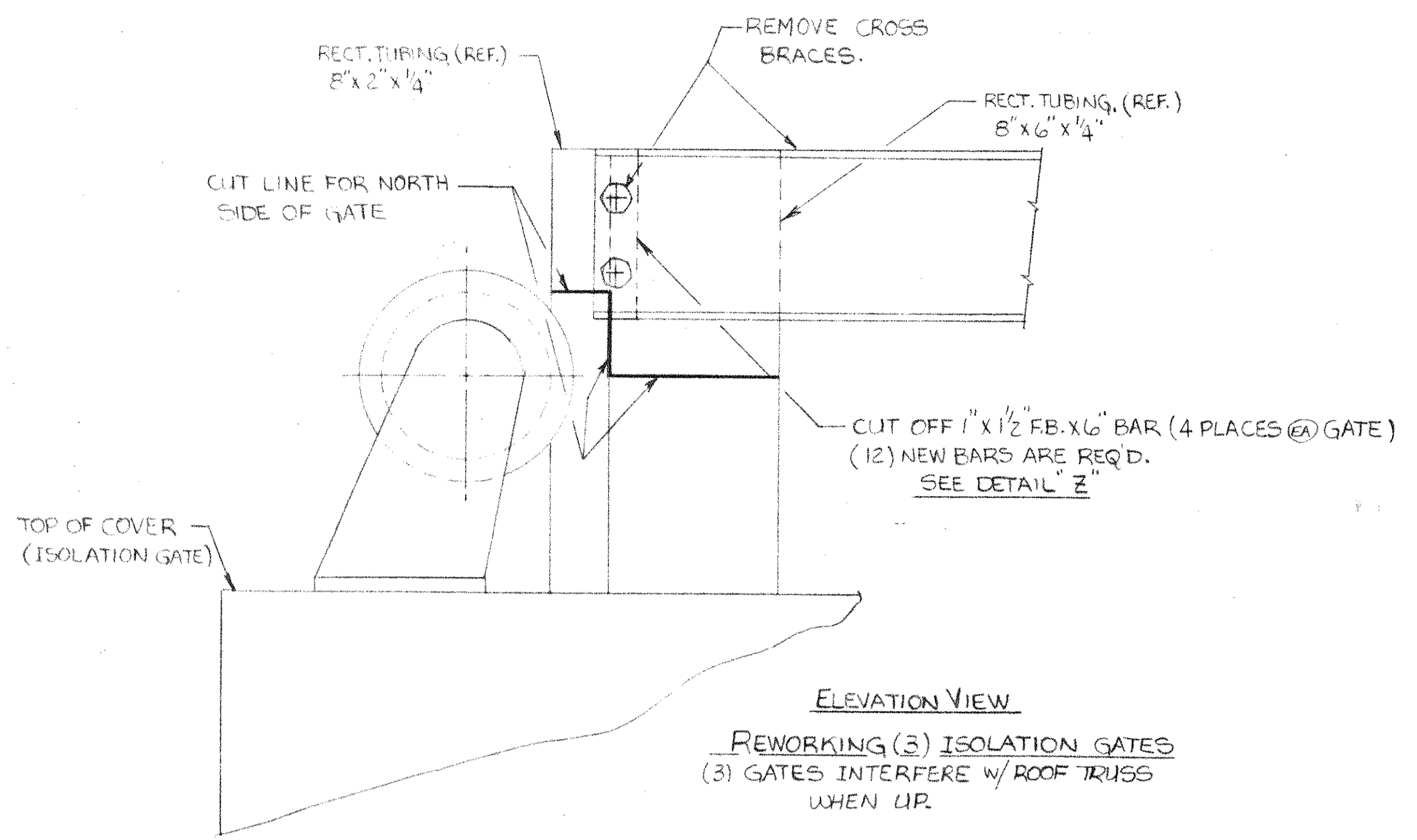


GROUP	ITEM	PART	DESCRIPTION
02 01	12	1	1 x 1/2 FB x 6"



NOTES:
1.) HYDROSTATIC TEST @ 135 PS I. AFTER ALL WELDING IS COMPLETED.

Field Issued
Date: JUL 29 1987

ISSUED FOR CONSTRUCTION
AUTH. SIG. K 29 DATE: 7-27-87

R#032230

TOLERANCES:
NORMAL ±
EXCEPT AS NOTED.
HOLE LOCATION DIMENSIONS MUST BE HELD TO ±

HARFORD	P4805	5075			
PROJ. NAME	PROJ. NO.	GRP.	B/M	D/L	NEXT HIGHER ASSY

TOLERANCES MUST NOT BE ACCUMULATIVE.

THIS DRAWING IS THE PROPERTY OF CONSUMAT SYSTEMS, INC. AND IS TO BE USED ONLY FOR PRODUCING ITEMS ON ORDER FOR CONSUMAT SYSTEMS, INC. SUBJECT TO RETURN UPON DEMAND AND IS NOT TO BE PRINTED, PHOTOCOPIED, COPIED, REPRODUCED, LOANED OR USED IN ANY WAY WITHOUT WRITTEN PERMISSION OF CONSUMAT SYSTEMS, INC.

DR RHH
DATE 7-9-87
CHK
DATE
APP

Consumat Systems, Inc.
RICHMOND, VIRGINIA U.S.A.
TITLE
ISOLATION GATE REWORK
HOT GAS DUCT - STRAIGHT SECTION

REV	REVISION	DATE	DR	CHK	APP	APP	DO NOT SCALE
B	RELOCATE 1 1/2 COUPLING	7-27-87	RHH				
A	CHG. DWG. NO.	7-20-87	RHH				

SCALE	SIZE	DWG. NO.	REV
QUARTER	D	26C-0180	B
REFERENCE		SHEET 1 OF 1	