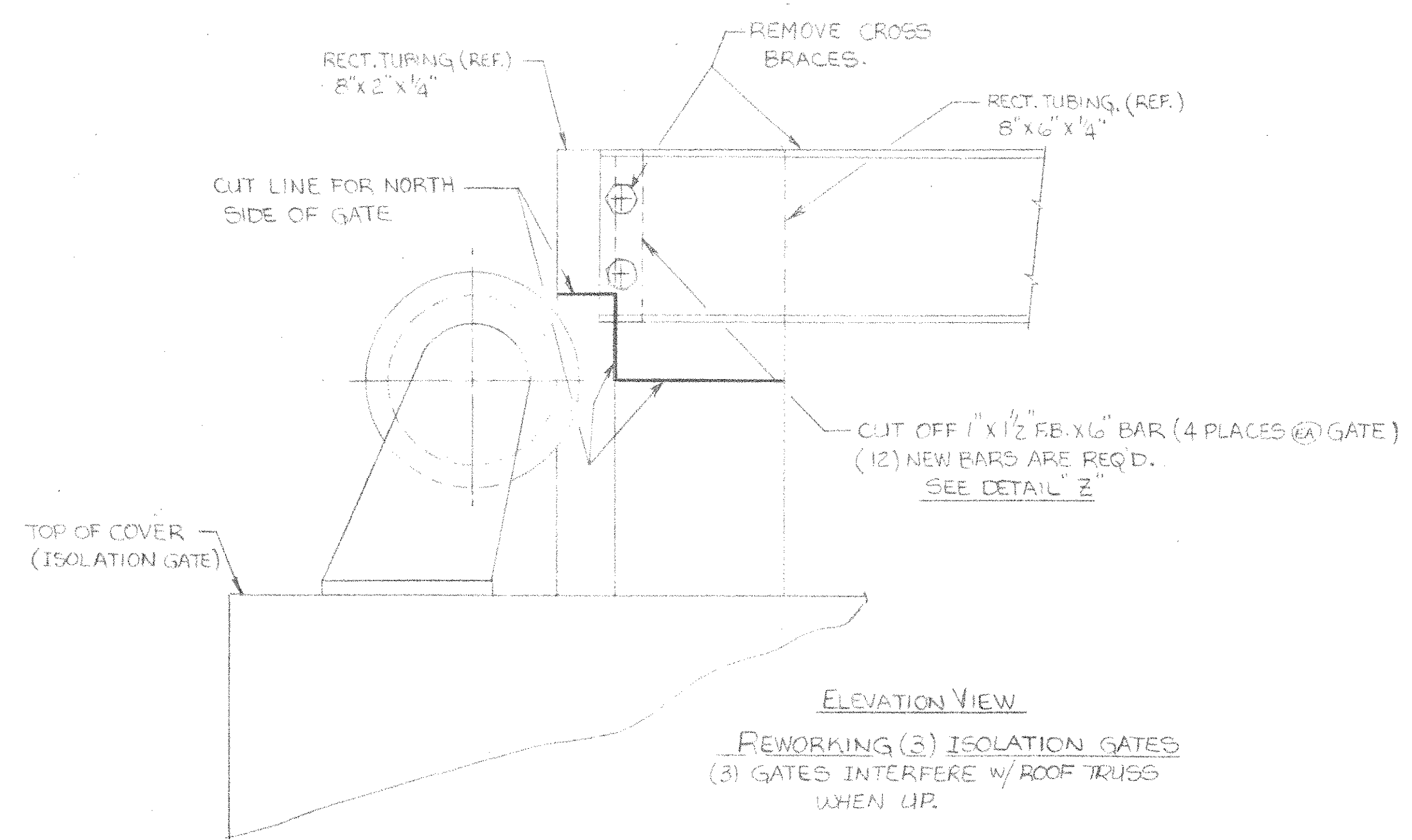
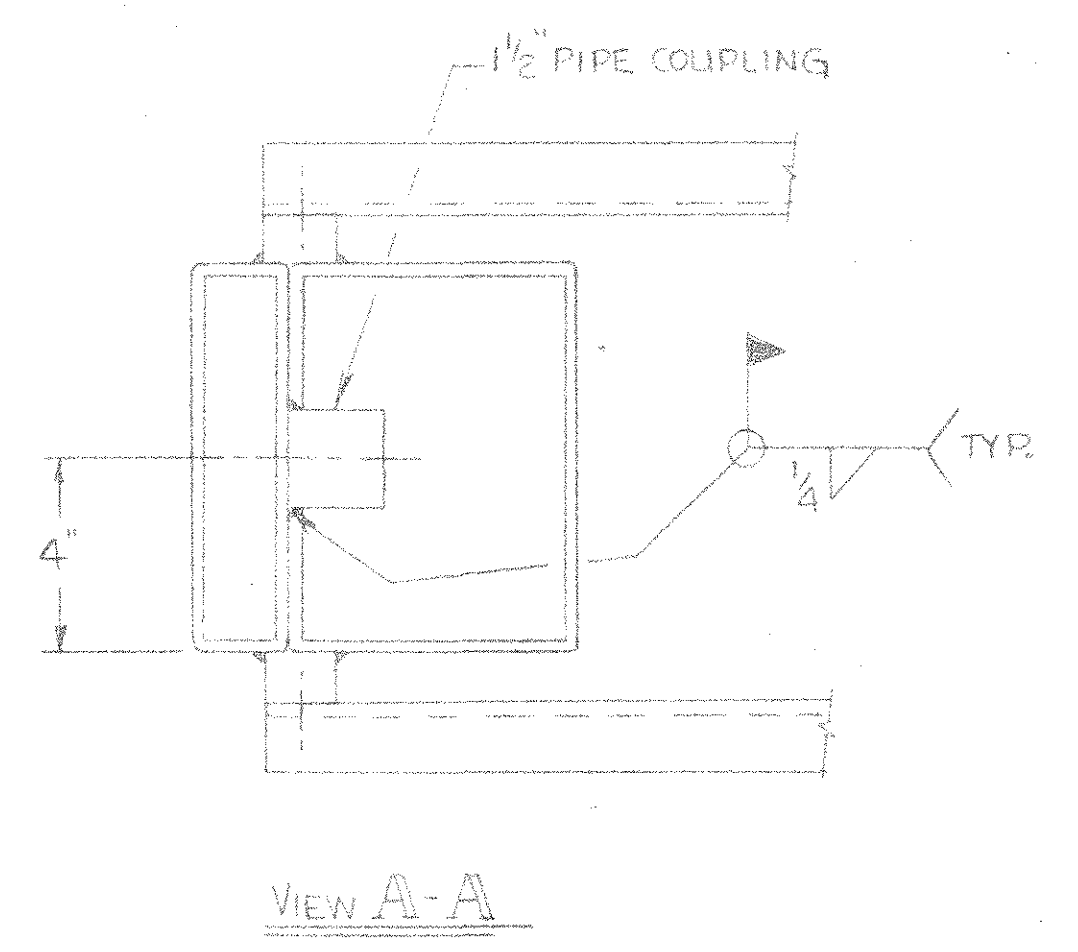
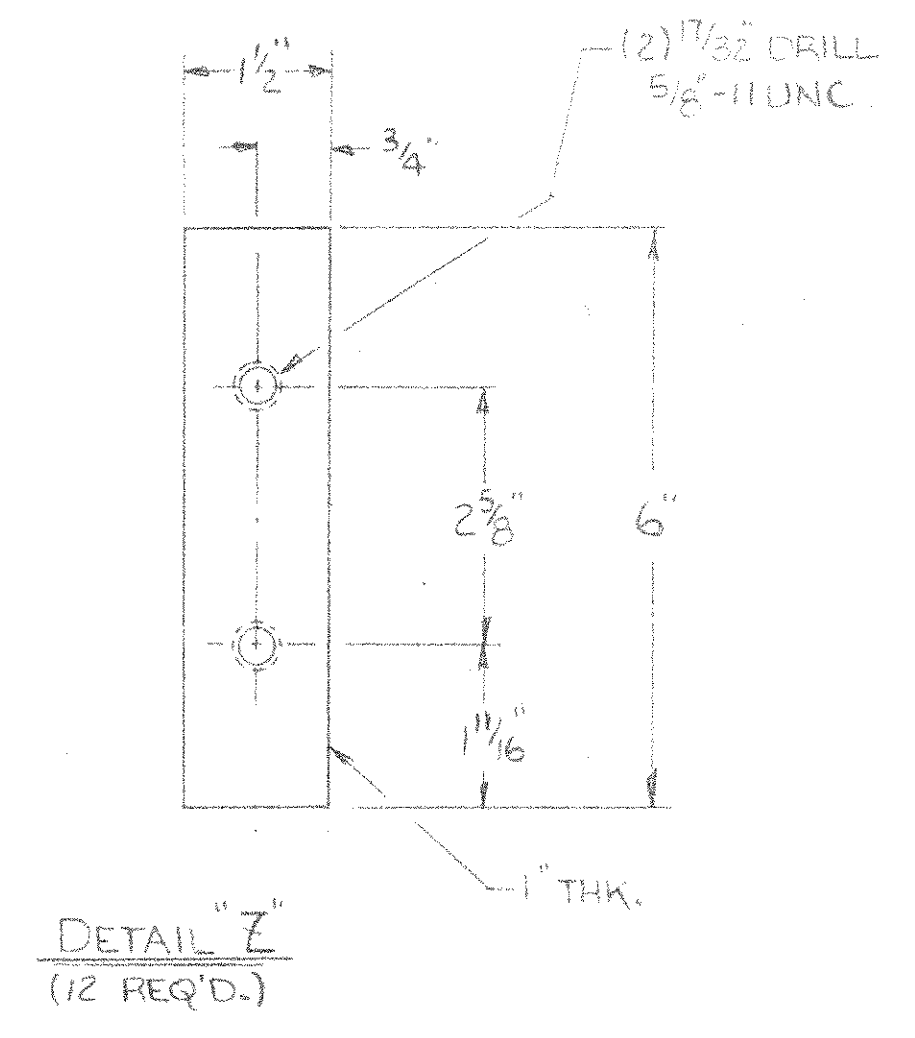


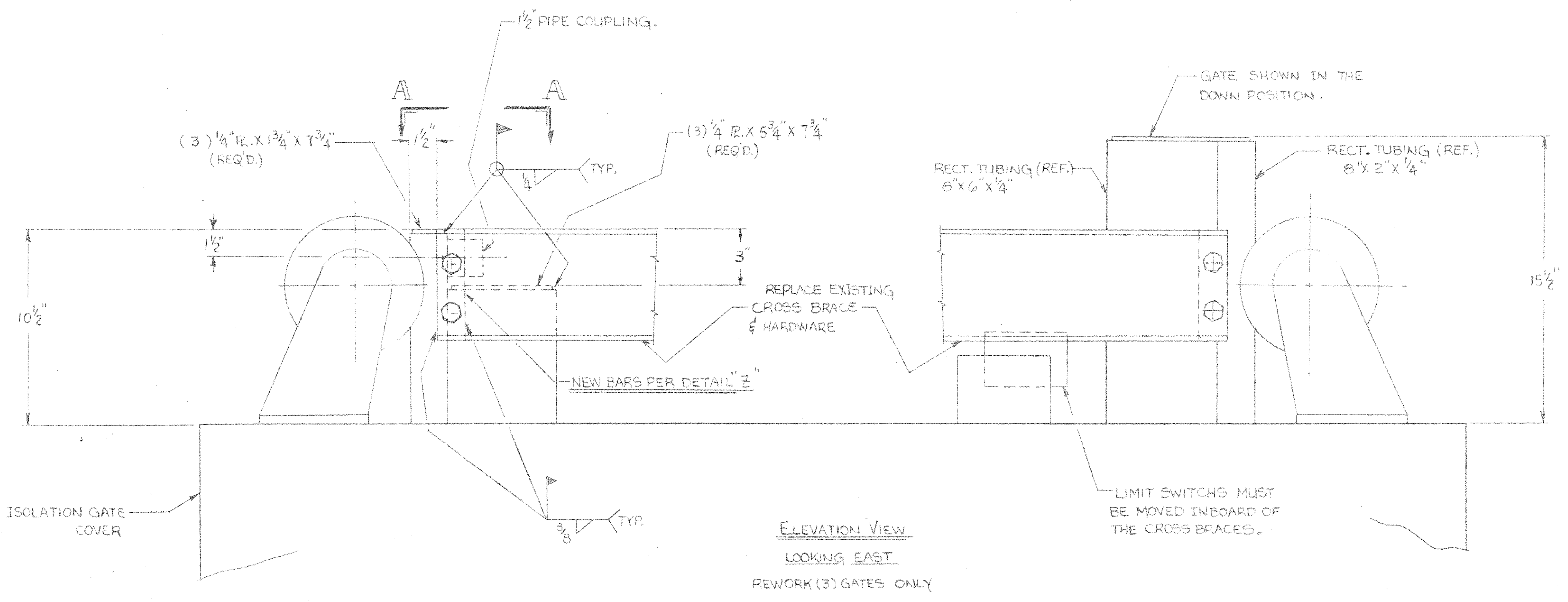
GROUP		PARTS LIST		
02	01	ITEM	PART	DESCRIPTION



ELEVATION VIEW  
REWORKING (3) ISOLATION GATES  
 (3) GATES INTERFERE W/ ROOF TRUSS WHEN UP.



VIEW A-A



ELEVATION VIEW  
LOOKING EAST  
 REWORK (3) GATES ONLY

NOTES:  
 1) HYDROSTATIC TEST @ 135 PS.I. AFTER ALL WELDING IS COMPLETED.

**Field Issued**  
 Date: JUL 15 1987  
**ISSUED FOR CONSTRUCTION**  
 AUTH. SIG. *KES* DATE *7/15/87*

TOLERANCES: NORMAL ± EXCEPT AS NOTED.		HARFORD		P4805					
HOLE LOCATION DIMENSIONS MUST BE HELD TO ±		PROJ. NAME	PROJ. NO.	GRP.	B/M	D/L	NEXT HIGHER ASSY.		
TOLERANCES MUST NOT BE ACCUMULATIVE		THIS DRAWING IS THE PROPERTY OF CONSUMAT SYSTEMS INC. AND IS TO BE USED ONLY FOR PRODUCING ITEMS ON ORDER FOR CONSUMAT SYSTEMS INC. SUBJECT TO RETURN UPON DEMAND AND IS NOT TO BE PRINTED, PHOTOGRAPHED, COPIED, REPRODUCED, LOANED OR USED IN ANY WAY WITHOUT WRITTEN PERMISSION OF CONSUMAT SYSTEMS, INC.							
DR	RHH	<b>Consumat Systems, Inc.</b> RICHMOND, VIRGINIA U.S.A.							
DATE	7-9-87								
CHK		TITLE							
DATE		ISOLATION GATE REWORK							
APP		HOT GAS DUCT - STRAIGHT SECTION							
APP		SCALE	QUARTER	SIZE	DWG NO.	REV			
APP		REFERENCE	D	SK71387-2	-	SHEET 1 OF 1			

REV	REVISION	DATE	DR	CHK	APP	APP	DO NOT SCALE
-----	----------	------	----	-----	-----	-----	--------------