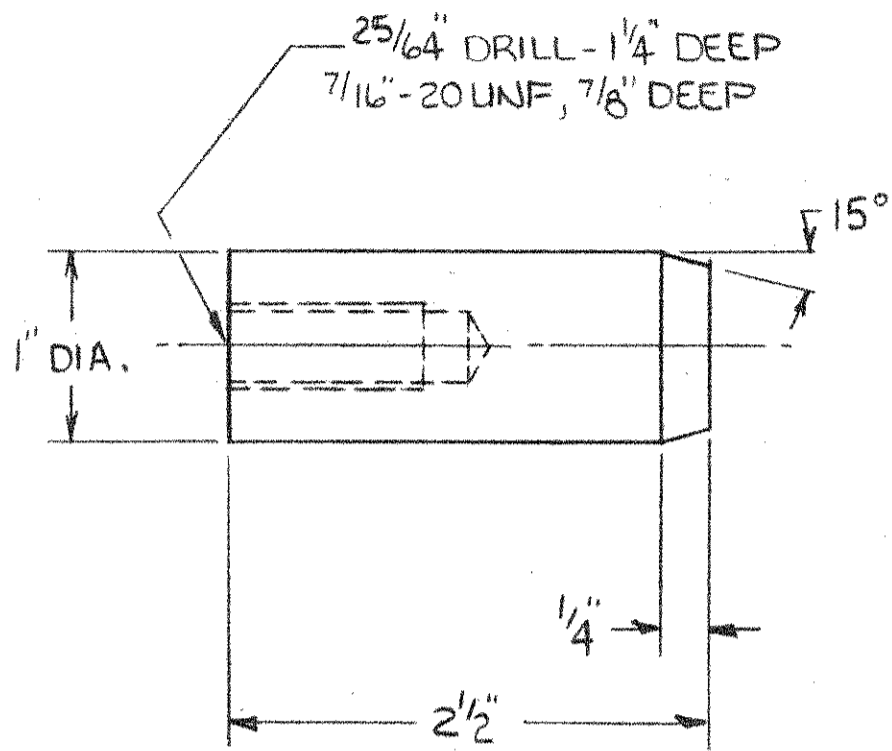
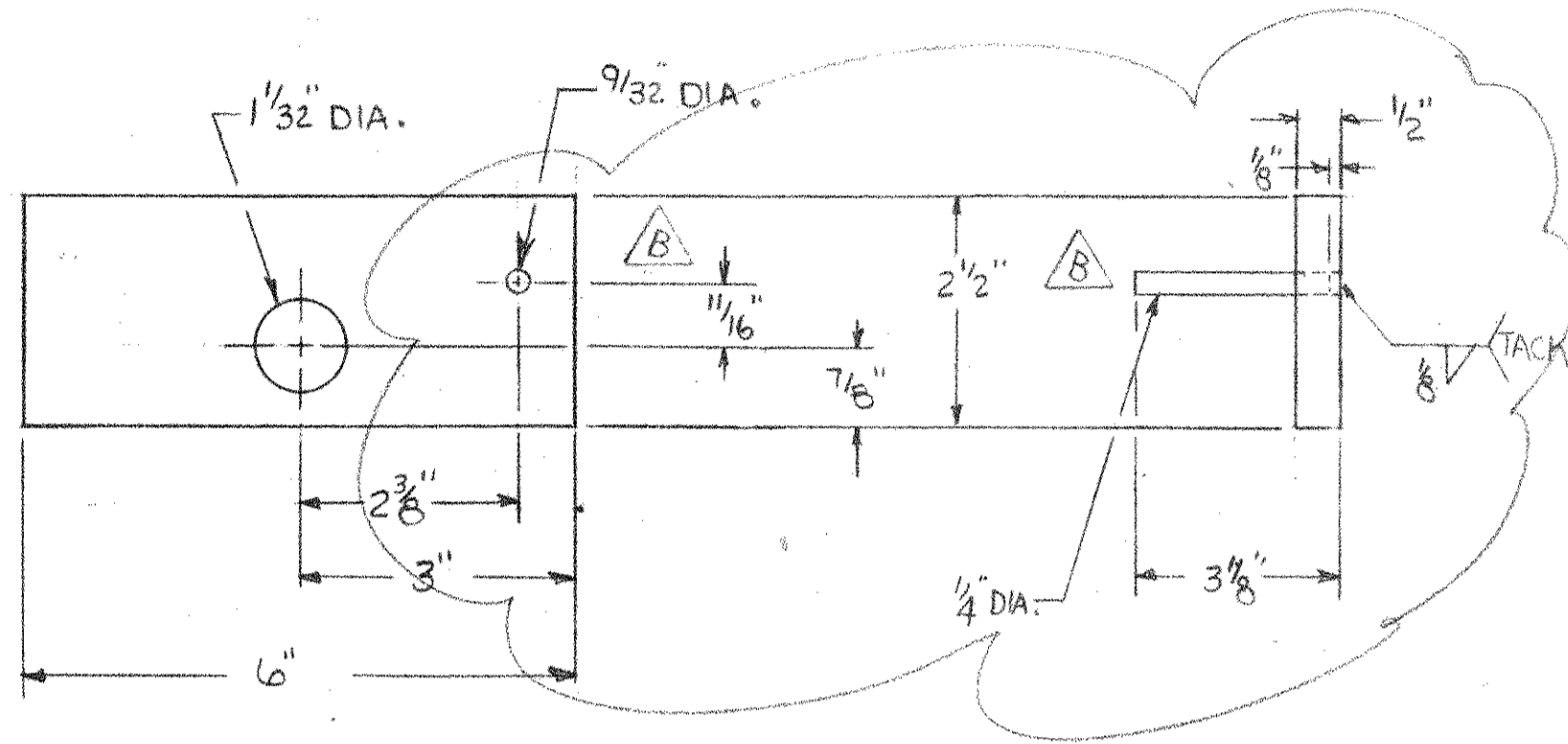


GROUP			PARTS LIST	
02	01	ITEM	PART	DESCRIPTION
		1		1" C.D. RND. X 2 1/2" LG.
		2		3/16" R X 1" X 4 1/2" LG. A-36
		3		1/4" R X 3" X 5 1/2" LG.
		4		1/2" R X 2 1/2" X 6" LG.
		5		1/4" R X 3" LG.



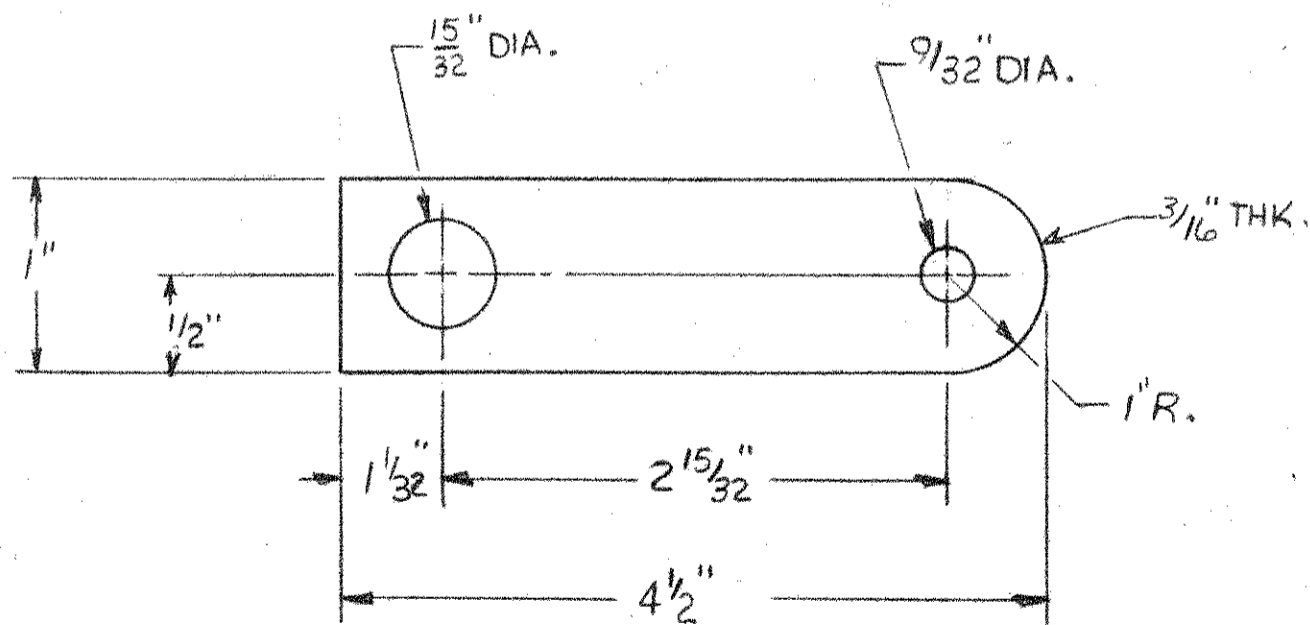
(12) REQ'D.

Po1



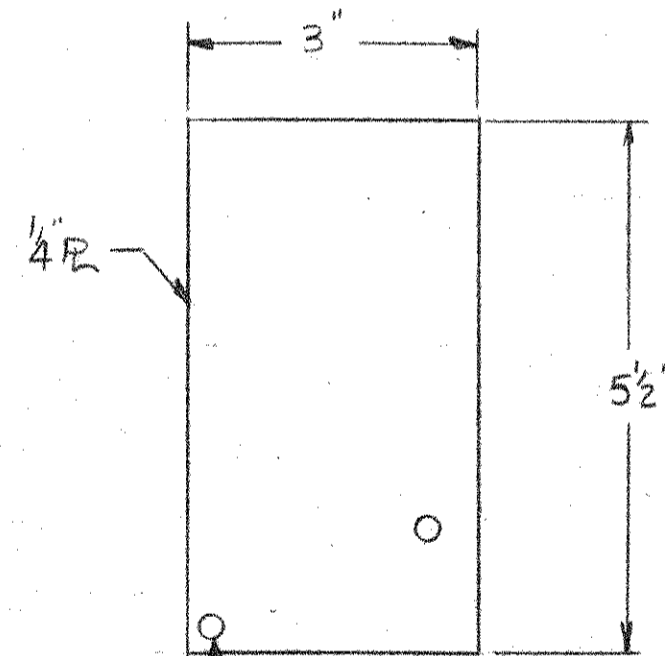
(12) REQ'D.

Po4



(12) REQ'D.

Po2



Holes for limit switches to be drilled @ assy.

(12) REQ'D.

Po3

ISSUED FOR CONSTRUCTION
 AUTH. SIG. *KES/RA* DATE *8/14/87*

TOLERANCES:
 NORMAL ± 1/16"
 EXCEPT AS NOTED.

HOLE LOCATION DIMENSIONS MUST BE HELD TO ± 1/32"

TOLERANCES MUST NOT BE ACCUMULATIVE

HARFORD	032230	01	5071	-	-
PROJ NAME	PROJ NO.	GRP.	B/M	D/L	NEXT HIGHER ASSY

THIS DRAWING IS THE PROPERTY OF CONSUMAT SYSTEMS INC., AND IS TO BE USED ONLY FOR PRODUCING ITEMS ON ORDER FOR CONSUMAT SYSTEMS INC. SUBJECT TO RETURN UPON DEMAND AND IS NOT TO BE PRINTED, PHOTOGRAPHED, COPIED, REPRODUCED, LOANED OR USED IN ANY WAY WITHOUT WRITTEN PERMISSION OF CONSUMAT SYSTEMS, INC.

DR	RHH
DATE	7-21-81
CHK	
DATE	
APP	
APP	

Consumat Systems, Inc. RICHMOND, VIRGINIA U.S.A.
TITLE MISC. PARTS FOR SMALL DOORS ISOLATION GATES - STR. SECTION

REV	REVISION	DATE	DR	CHK	APP	APP	DO NOT SCALE
B	CHG. LOCATION OF 1/4" Ø PIN - Po4	8-9-87	RHH				
A	15/32" Ø WAS 1/2" Ø, 3" WAS 2"	7-27-87	RHH				

SCALE	SIZE	DWG NO.	REV
	C	26C-0182	B
REFERENCE	SHEET 1 OF 1		