

4

3

2

1

GROUP		PARTS LIST		
02	01	ITEM	PART	DESCRIPTION
1	1	1	B-22K-0007-601	PULLEY MOUNT
1	1	2	B-22K-0008-601	PULLEY MOUNT
1	1	3	B-22K-0009-601	DOOR STOP
1	1	4		2x1x3/16x4 BAR SIZE CHANNEL OR EQUIVALENT
1	1	5	B-22K-0012-601	WINCH MOUNT
1	1	6		DL-1000 BUTTON & LAINSON STANDARD RATCHET WINCH
1	1	7		3/16 WIRE ROPE - STAINLESS x 25'-0" w/EYE & U-BOLT CLAMPS
3	3	8		3/16-16 x 1 HEX. BOLT
3	3	9		3/8-16 HEX. NUT
3	3	10		3/8 LOCKWASHER
	1	11	A-22K-0010-601	LIFT LUG

D

D

C

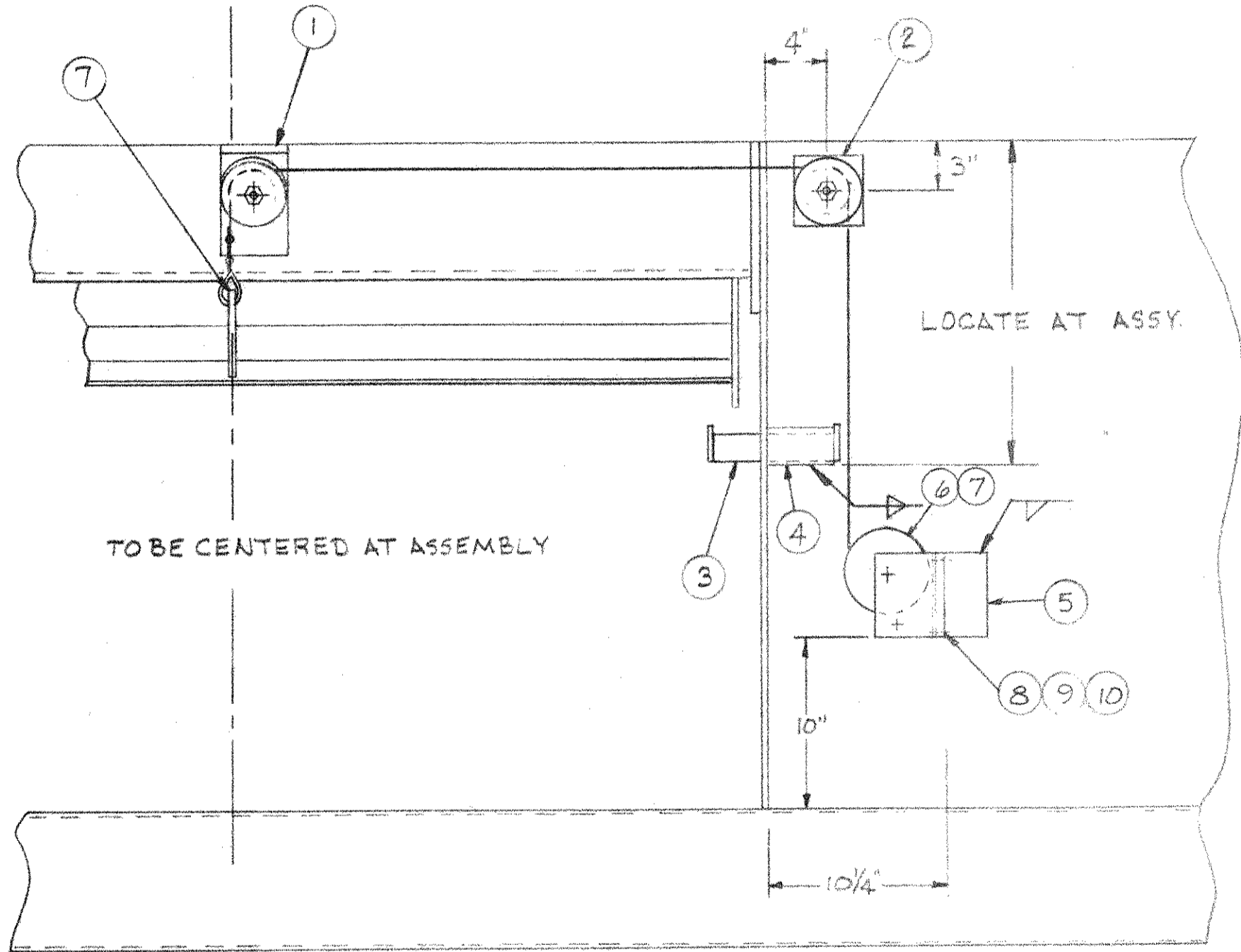
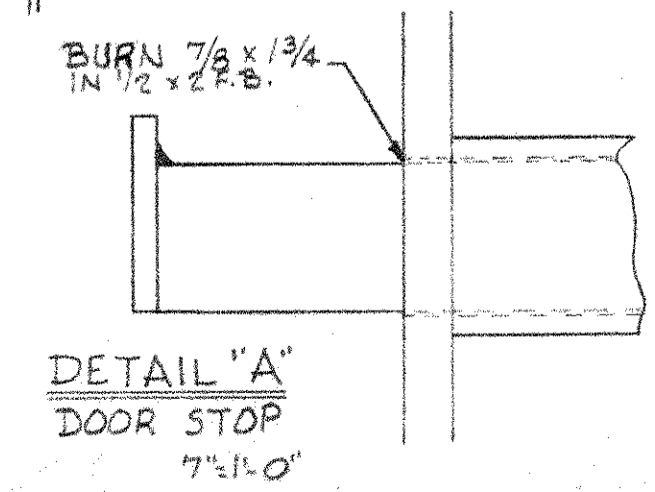
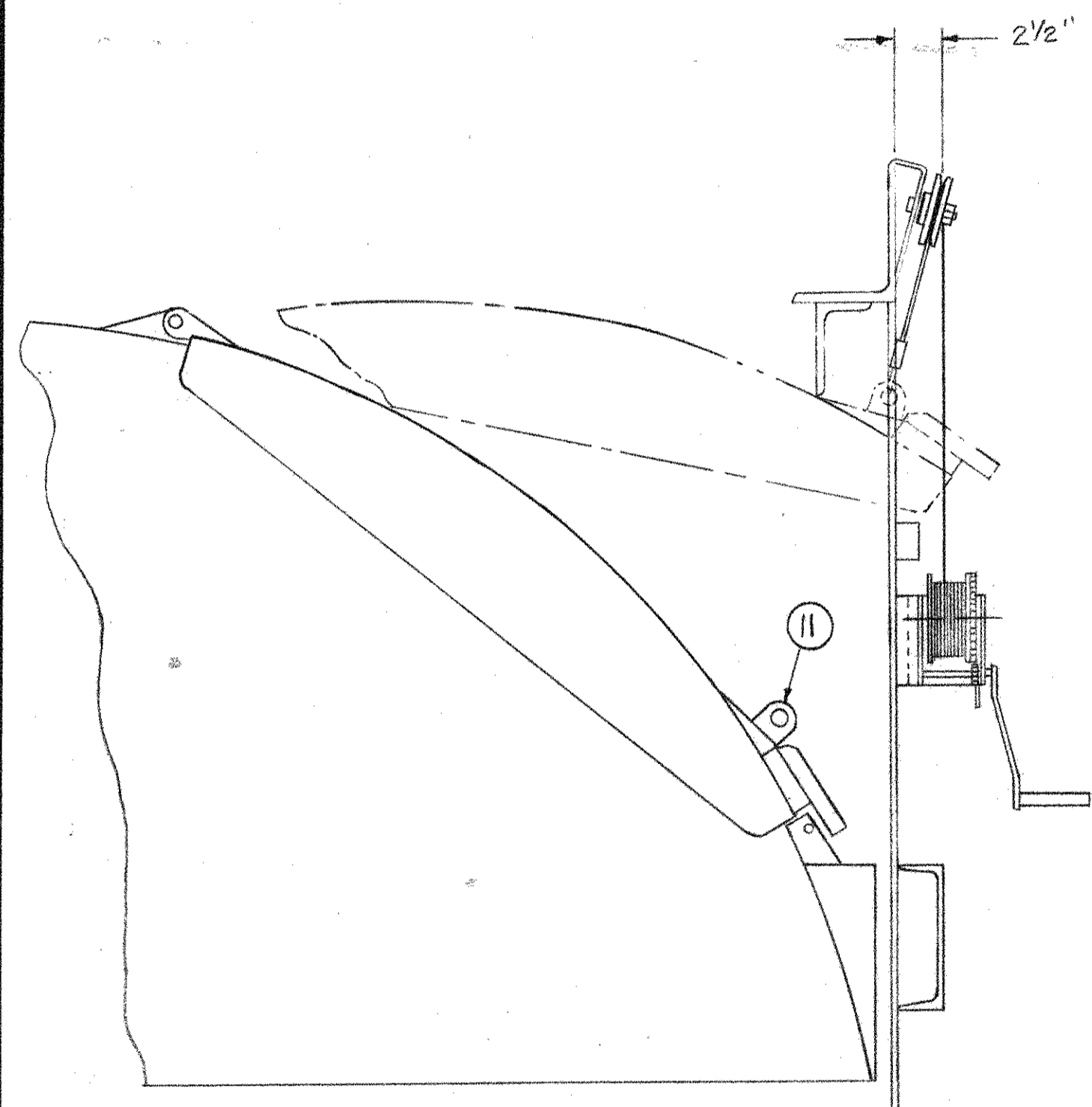
C

B

B

A

A



GO1 AS SHOWN  
GO2 OPP. HAND

GO1	53294 A 3295	1991	D-22-0048
CSI PROCESS SPEC	NUMBER	GROUP	B/M D/L NEXT HIGHER ASSY

LIFT ASSEMBLY  
ASH REMOVER SHROUD DOOR CS-3000

**Consumat Systems, Inc.**  
RICHMOND, VIRGINIA U.S.A.

THIS DRAWING IS THE PROPERTY OF CONSUMAT SYSTEMS INC., AND IS TO BE USED ONLY FOR PRODUCING ITEMS ON ORDER FOR CONSUMAT SYSTEMS INC. SUBJECT TO RETURN UPON DEMAND AND IS NOT TO BE PRINTED, PHOTOGRAPHED, COPIED, REPRODUCED, LOANED OR USED IN ANY WAY WITHOUT WRITTEN PERMISSION OF CONSUMAT SYSTEMS INC.

NO.	REVISION	DATE	BY	DO NOT SCALE	APPR.	DRAWING NO. C-22K-0006	REV.
-----	----------	------	----	--------------	-------	---------------------------	------

4

3

2

1