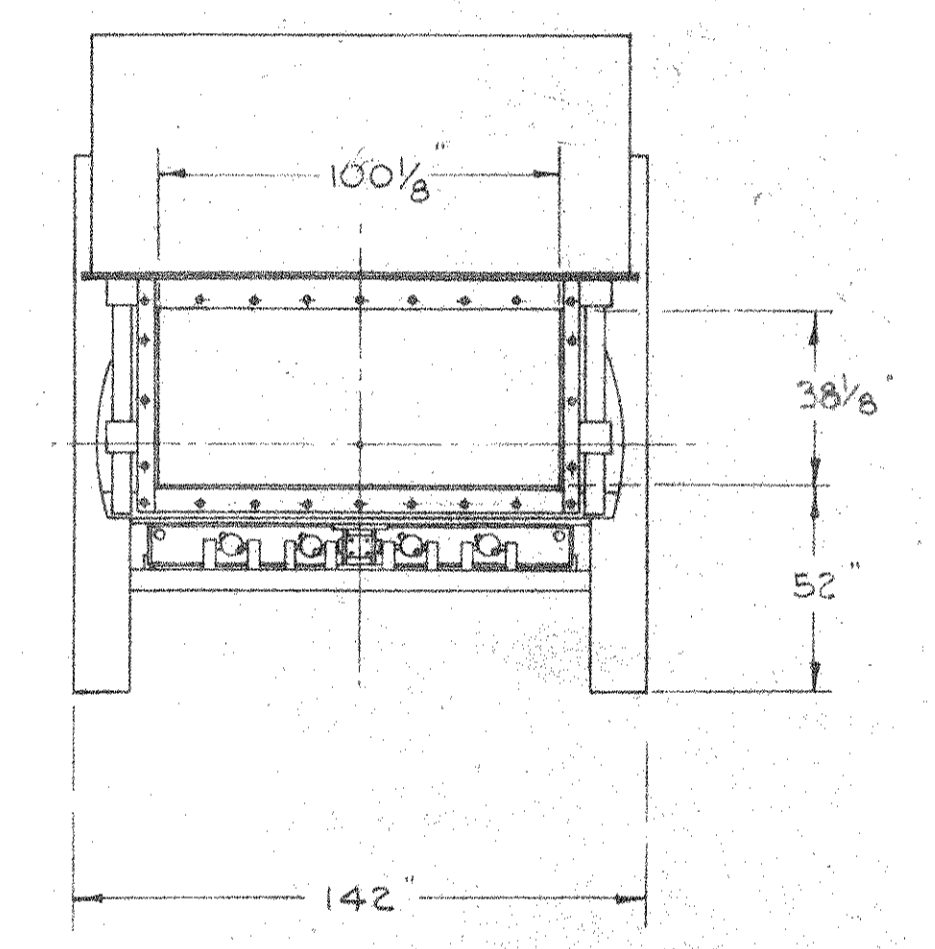


GROUP		PARTS LIST		
Q2	Q1	ITEM	PART	DESCRIPTION
	1	1	D-15-0328 GOI	L/C SHELL No. 1 ASSEMBLY
	1	2	D-15-0329 GOI	L/C SHELL No. 2 ASSEMBLY
	1	3	D-15-0330 GOI	L/C SHELL No. 3 ASSEMBLY
	1	4	D-15-0331 GOI	L/C SHELL No. 4 ASSEMBLY
	1	7	D-24-0185 GOI	L/C SHROUD DUCT ASSY.
15 REF		8	1" BUNC X 14" HEX BOLT (A500)	
15 REF		9	1" BUNC HEX NUT	
2 REF		10	1" STEEL SPHERICAL WASHER	



PARTIAL END VIEW  
 (LOADER SIDE)

SHIPPING ID. NO.  
 COMPONENT PART ID. NO.  
 UNIT NO.

HARFORD	P-4805	GROUP	B/M	D/L	NEXT HIGHER ASSY
CSI PROCESS SPEC NUMBER		LOWER CHAMBER ASSEMBLY C5-3000E			
SCALE 1/4" = 1'-0"		DRAWN DMW		DRAWING NO. D-15-0332	
DATE 5-29-84		CHK		SHEET OF	
DO NOT SCALE		APPR.		REV.	

THIS DRAWING IS THE PROPERTY OF CONSUMAT SYSTEMS INC. AND IS TO BE USED ONLY FOR PRODUCING ITEMS ON ORDER FOR CONSUMAT SYSTEMS INC. SUBJECT TO RETURN UPON DEMAND AND IS NOT TO BE PRINTED, PHOTOGRAPHED, COPIED, REPRODUCED, LOANED OR USED IN ANY WAY WITHOUT WRITTEN PERMISSION OF CONSUMAT SYSTEMS INC.

NO.	REVISION	DATE	BY
		11-12-86	DMW