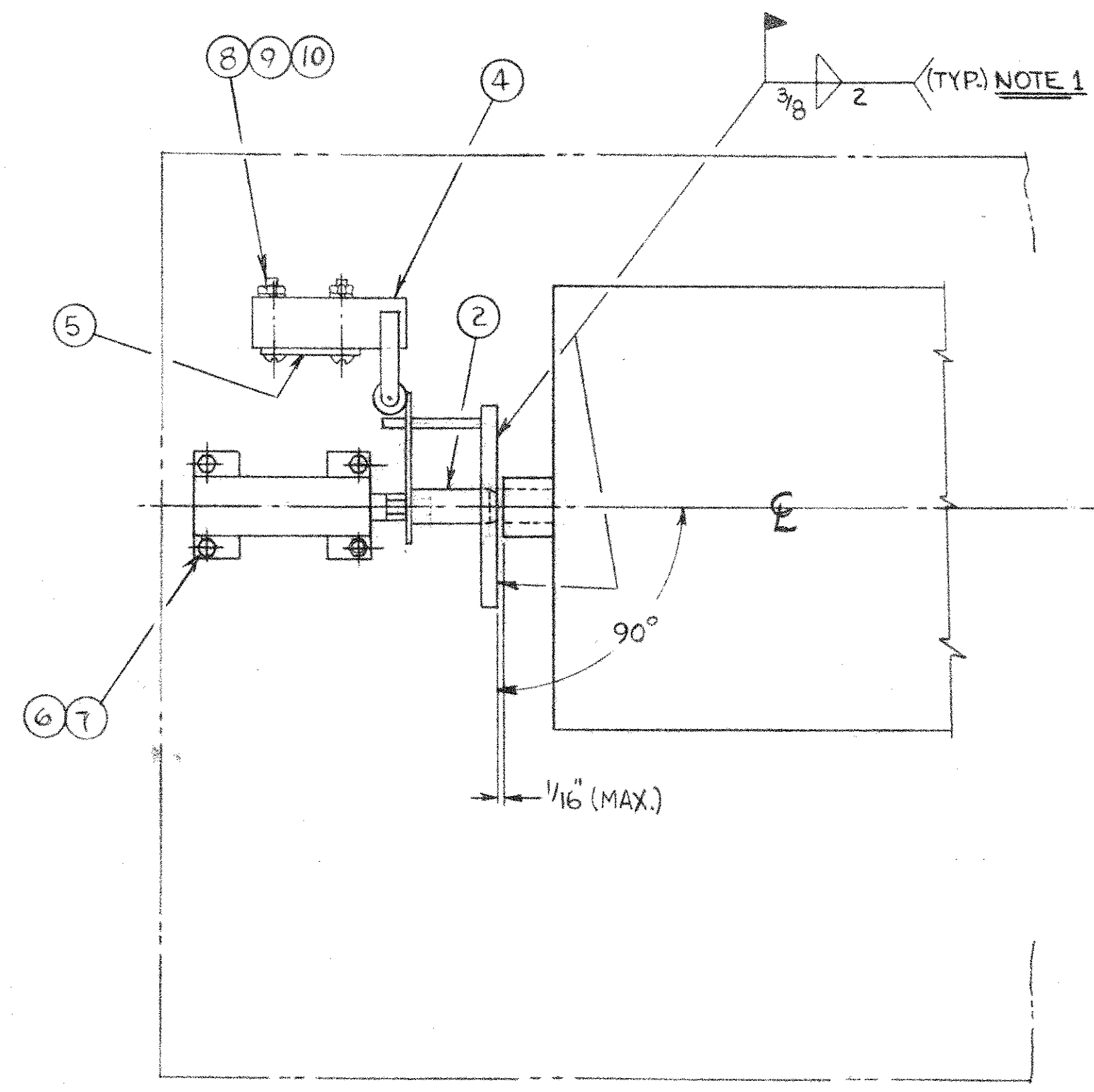
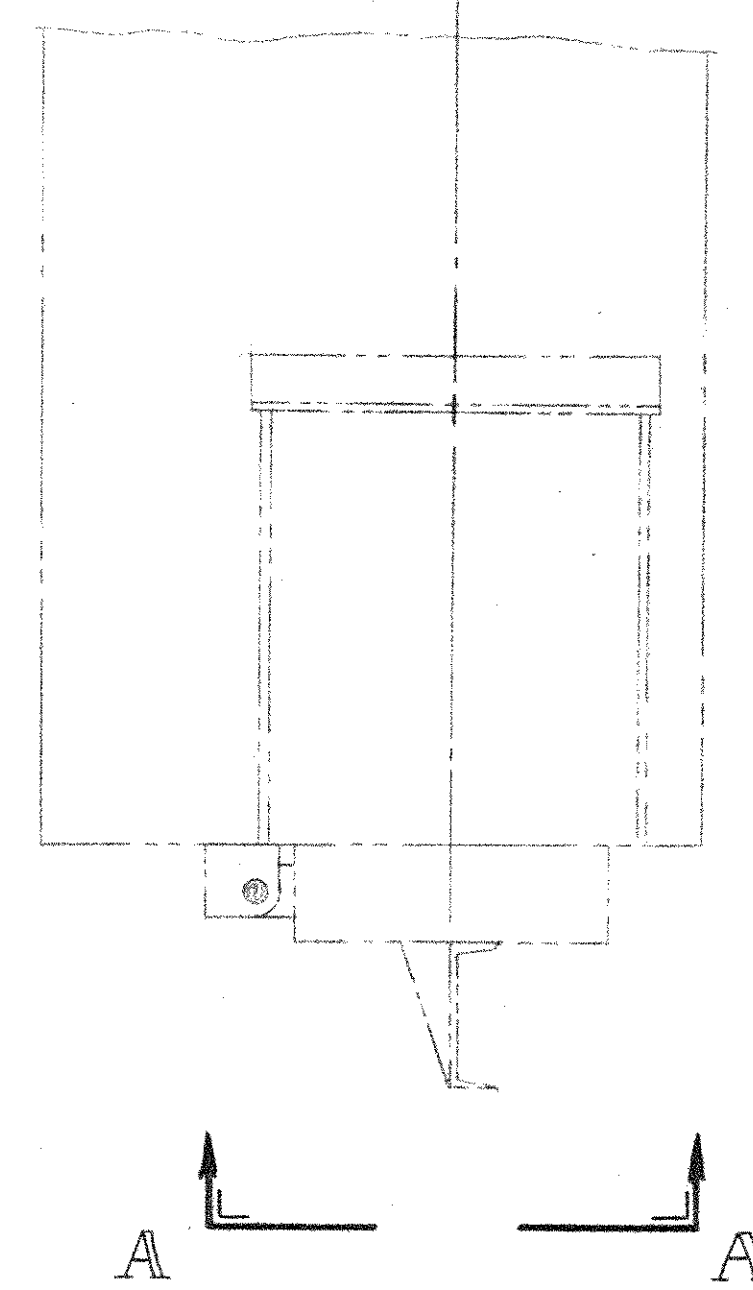
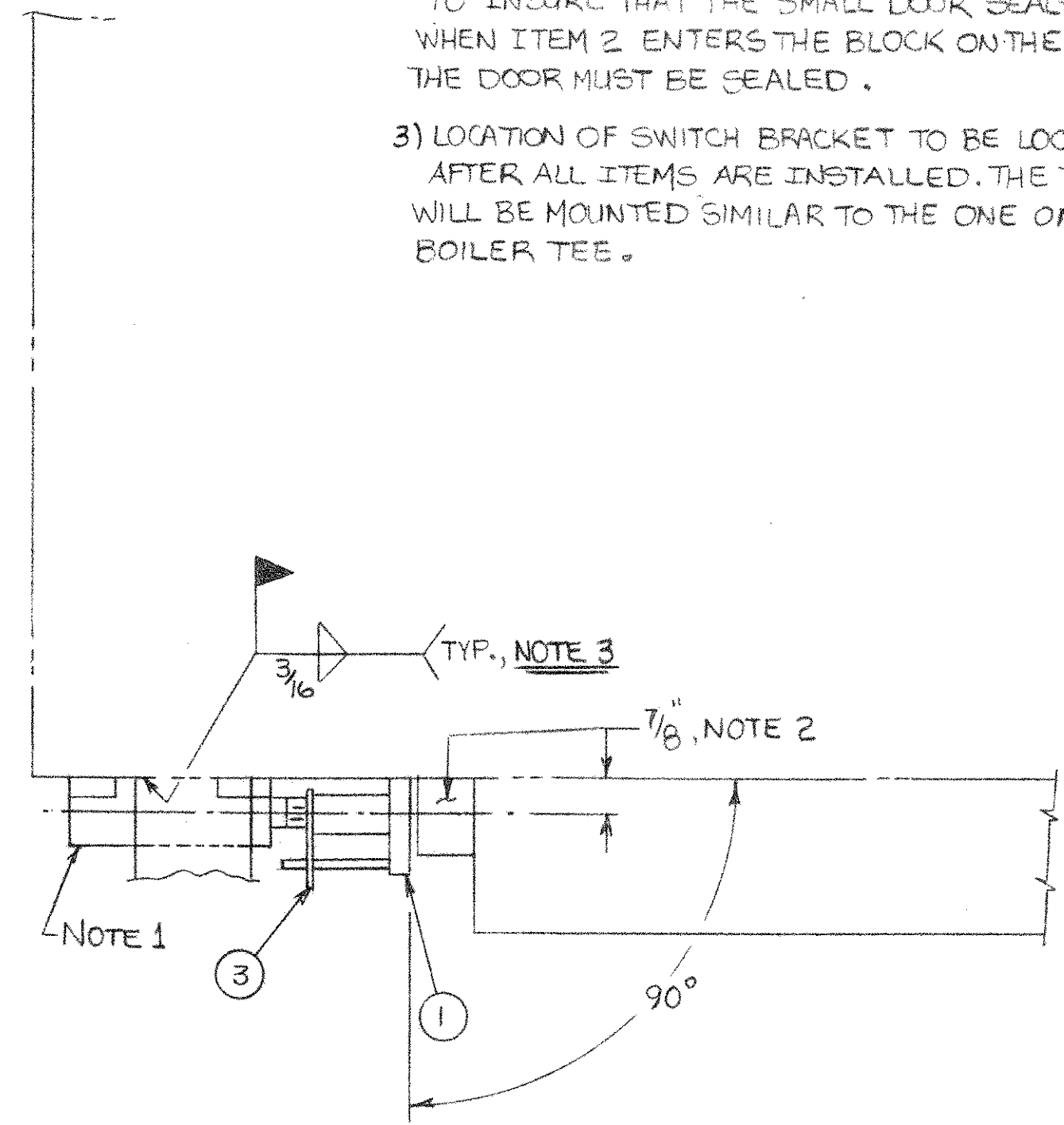
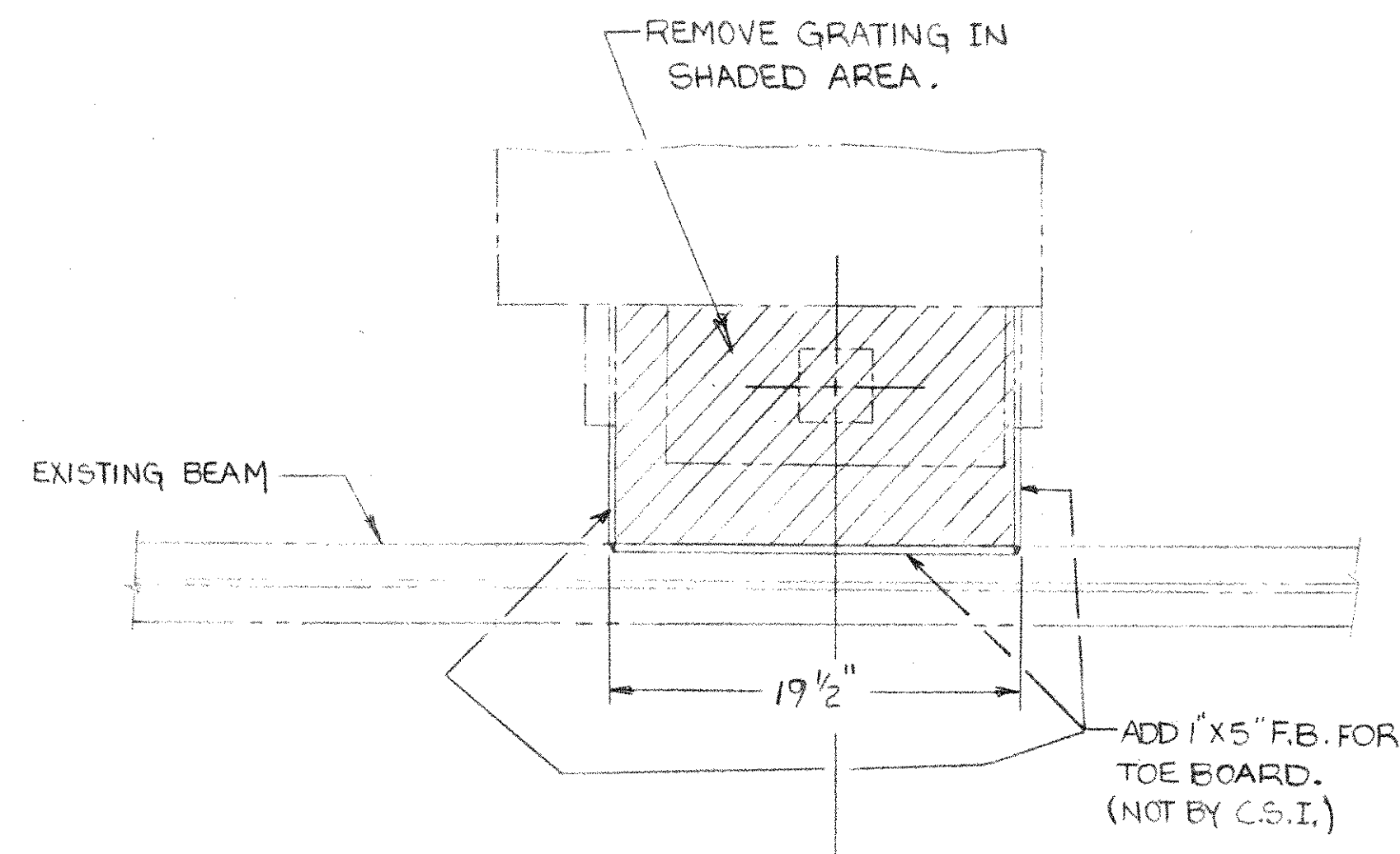


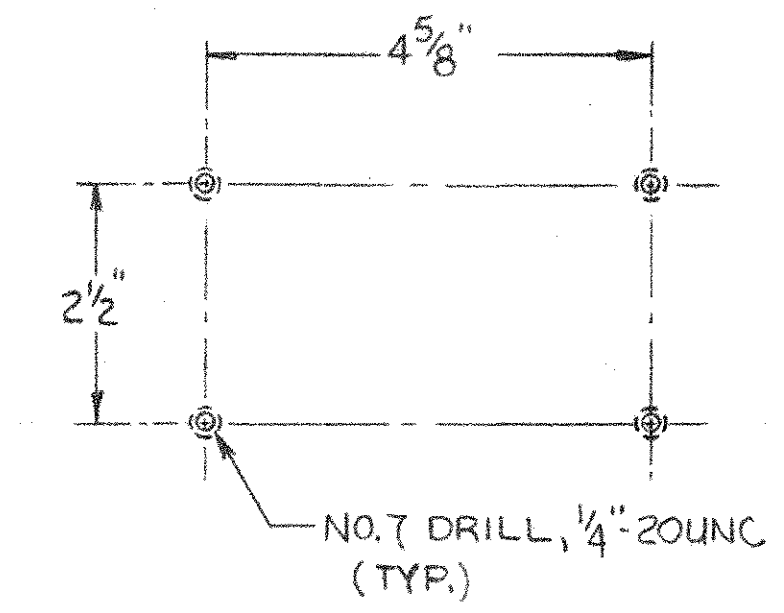
GROUP	ITEM	PART	DESCRIPTION	
02	01			
2	1	C26C-0182-P04	ROD SUPPORT	
2	2	C26C-0182-P01	CYLINDER ROD	
2	3	C26C-0182-P02	SWITCH ACTUATOR	
NOTE 3	3	4	SWITCH	
	2	5	C26C-0182-P03	SWITCH BRACKET
	8	6	HEX. HD. C.S. 1/4" X 20 X 1"	
	8	7	LOCKWASHER, 1/4"	
	6	8	MACH. SCREW #10-32 X 1 1/2" LG.	
	6	9	LOCKWASHER, #10	
	6	10	HEX. NUT #10 X 3/2	

NOTES:

- 1) CYLINDER TO BE LOCATED AFTER ITEM 1 HAS BEEN POSITIONED & WELDED
- 2) THE 7/8" DIM. ON ITEM 1, MAY HAVE TO BE DECREASED (GRIND) TO INSURE THAT THE SMALL DOOR SEALS PROPERLY. WHEN ITEM 2 ENTERS THE BLOCK ON THE SMALL DOOR, THE DOOR MUST BE SEALED.
- 3) LOCATION OF SWITCH BRACKET TO BE LOCATED ON SITE, AFTER ALL ITEMS ARE INSTALLED. THE THIRD SWITCH WILL BE MOUNTED SIMILAR TO THE ONE ON THE BOILER TEE.



VIEW A-A



DRILL & TAPPING PATTERN FOR SMALL CYLINDERS

Field Issued
Date: JUL 29 1987

ISSUED FOR CONSTRUCTION

AUTH. SIG. *LC* DATE 7-27-87

TOLERANCES:
NORMAL ±
EXCEPT AS NOTED.
HOLE LOCATION DIMENSIONS MUST BE HELD TO ±

PROJ. NAME	HARFORD	PROJ. NO.	P4805	GRP.	B/M	D/L	NEXT HIGHER ASSY.
------------	---------	-----------	-------	------	-----	-----	-------------------

TOLERANCES MUST NOT BE ACCUMULATIVE.

DR	RHH	TITLE	MOUNTING OF CYLINDERS
DATE	7-24-87	SCALE	NONE
CHK		SIZE	DWG. NO.
DATE		REFERENCE	D 26C-0183
APP			SHEET 1 OF 1
APP			

Consumat Systems, Inc.
RICHMOND, VIRGINIA U.S.A.

REV	REVISION	DATE	DR	CHK	APP	APP	DO NOT SCALE	REFERENCE	SCALE	SIZE	DWG. NO.	REV
-----	----------	------	----	-----	-----	-----	--------------	-----------	-------	------	----------	-----