

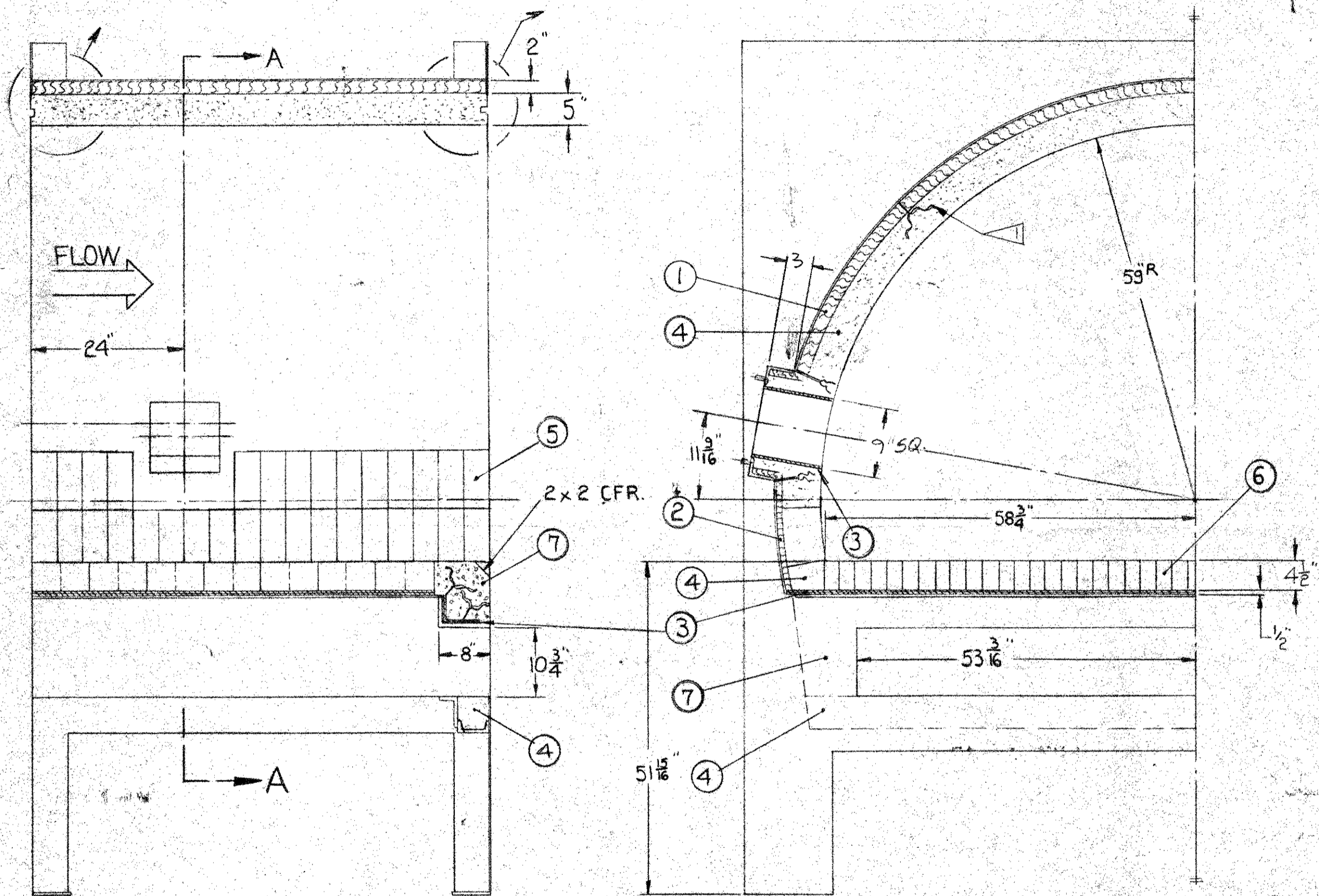
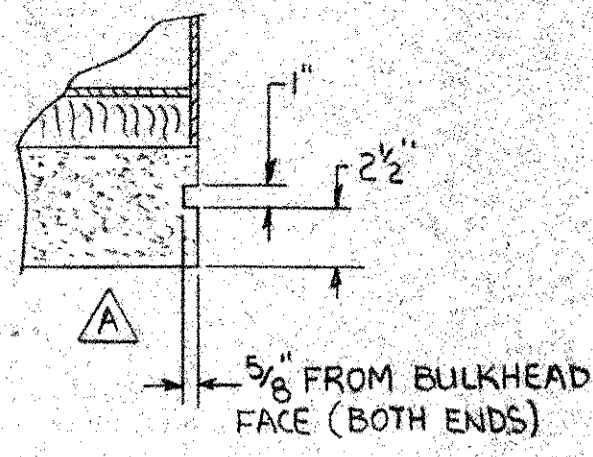
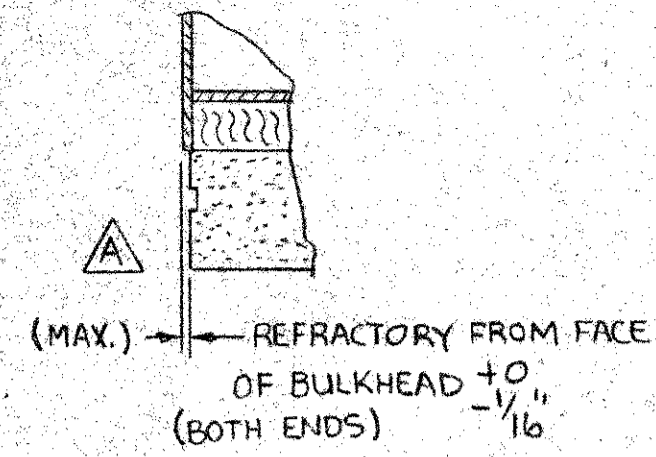
4

3

2

1

GROUP				PARTS LIST	
QZ	Q1	ITEM	PART	DESCRIPTION	
	126	1		2" MONOBLOCK INSULATION	
	36	2		1" MONOBLOCK INSULATION	
	119	3		1/4" DURABOARD INSULATION	
	50	4		PLICAST STEEL MIX REFRACTORY	
	72	5		ROTARY KILN BLOCK 108-120	
	341	6		STRAIGHT BRICK 2 1/2 x 4 1/2 x 9	
	7	7		PLIBRICO 27-C REFRACTORY	
	REF.	8	C-05-0250 601	LOWER CHAMBER MOLD	
	REF.	9	C-05-0254 601	RAM FACE MOLD	
		10			
	1 1/2	11		DEMON AIR-SET CEMENT	
	1/4 CAN	12		C-E REFR. BLOCK STICK 100 LB	
		13			



VIEW A-A

NOTES:
 1 FOR REFRACTORY ANCHOR LAYOUT SEE DRAWING NO D-15-0141
 2 "A.P GREEN" MC-22 REFRACTORY MAY BE SUBSTITUTED FOR ITEM 7.

THIS DRAWING IS THE PROPERTY OF CONSUMAT SYSTEMS INC. AND IS TO BE USED ONLY FOR PRODUCING ITEMS ON ORDER FOR CONSUMAT SYSTEMS INC. SUBJECT TO RETURN UPON DEMAND AND IS NOT TO BE PRINTED, PHOTOGRAPHED, COPIED, REPRODUCED, LOANED OR USED IN ANY WAY WITHOUT WRITTEN PERMISSION OF CONSUMAT SYSTEMS INC.

A	ADD GROOVE DETAIL & SHOW REFRAC. TOL.	8-6-86	RHH	SCALE 1:16	DRAWN COTT	DRAWING NO.
NO.	REVISION	DATE	BY	DATE 05-22-86	CHK.	C-15D-0077
				DO NOT SCALE	APPR. SERIA C15D-0045	SHEET OF

HARFORD	P-4805	Q1	4305	3605	D-15-0326
CSI PROCESS SPEC	NUMBER	GROUP	B/M	D/L	NEXT HIGHER ASSY

#1 SHELL - REFRACTORY LINING
 CS-3000E W/NA-SAZZ A BURNER

Consumat Systems, Inc.
 RICHMOND, VIRGINIA U.S.A.

D

C

B

A

4

3

2

1