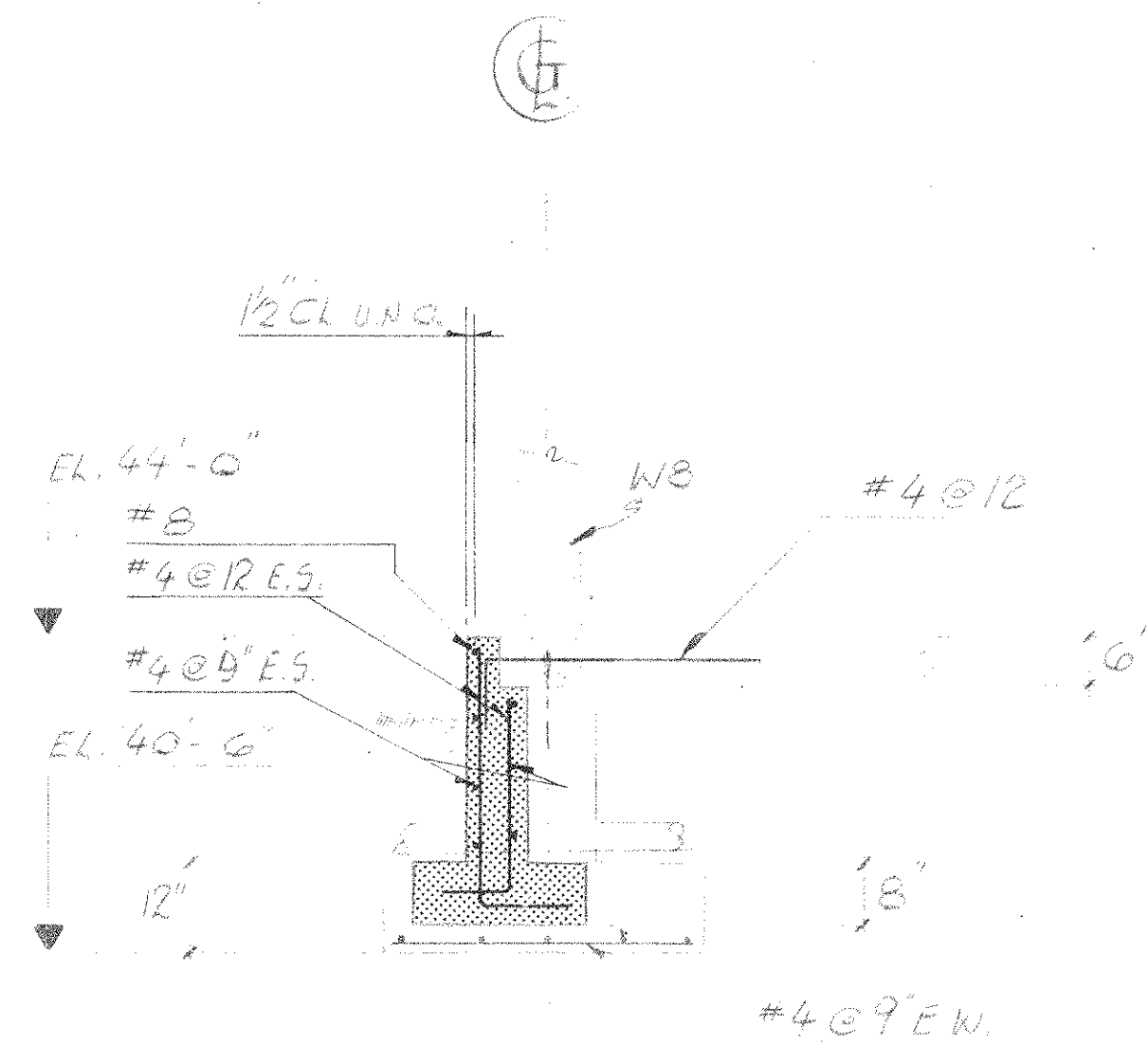
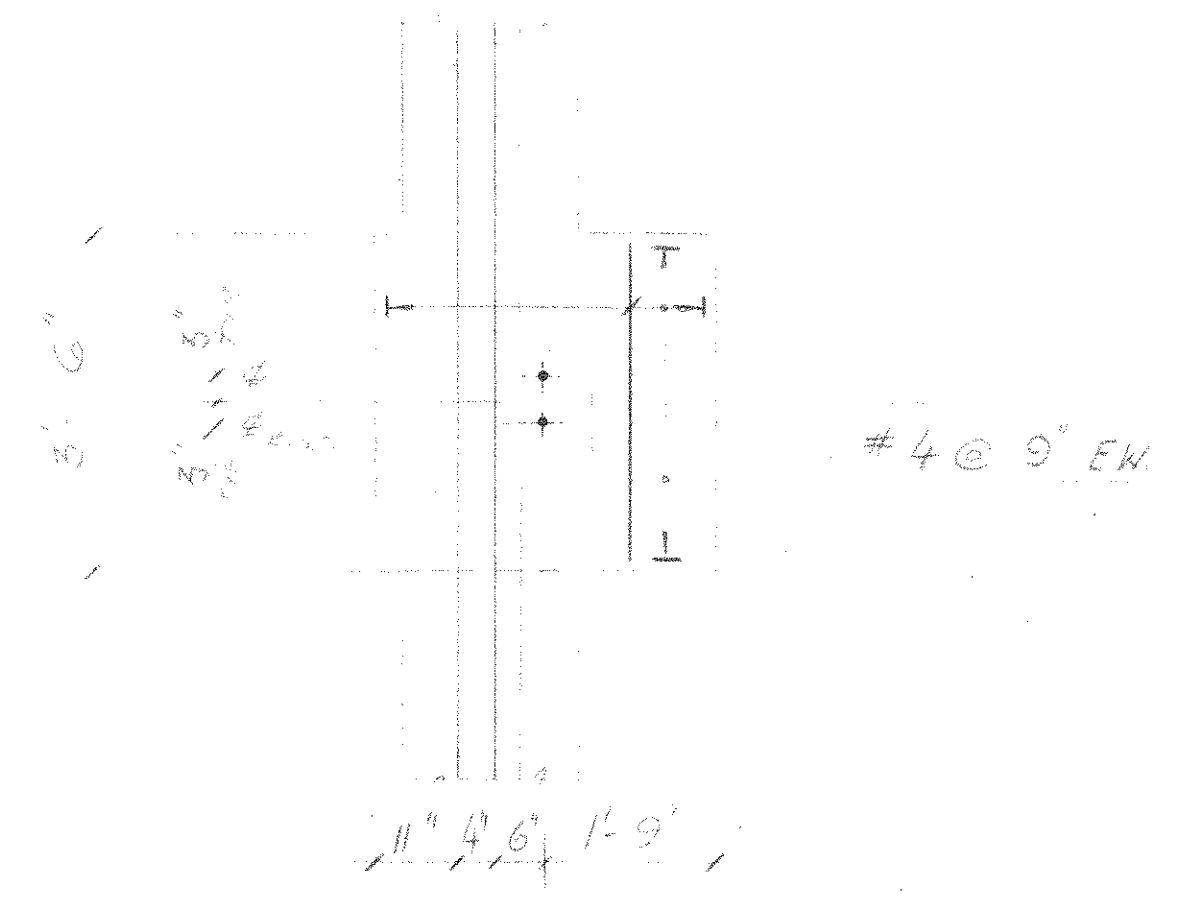


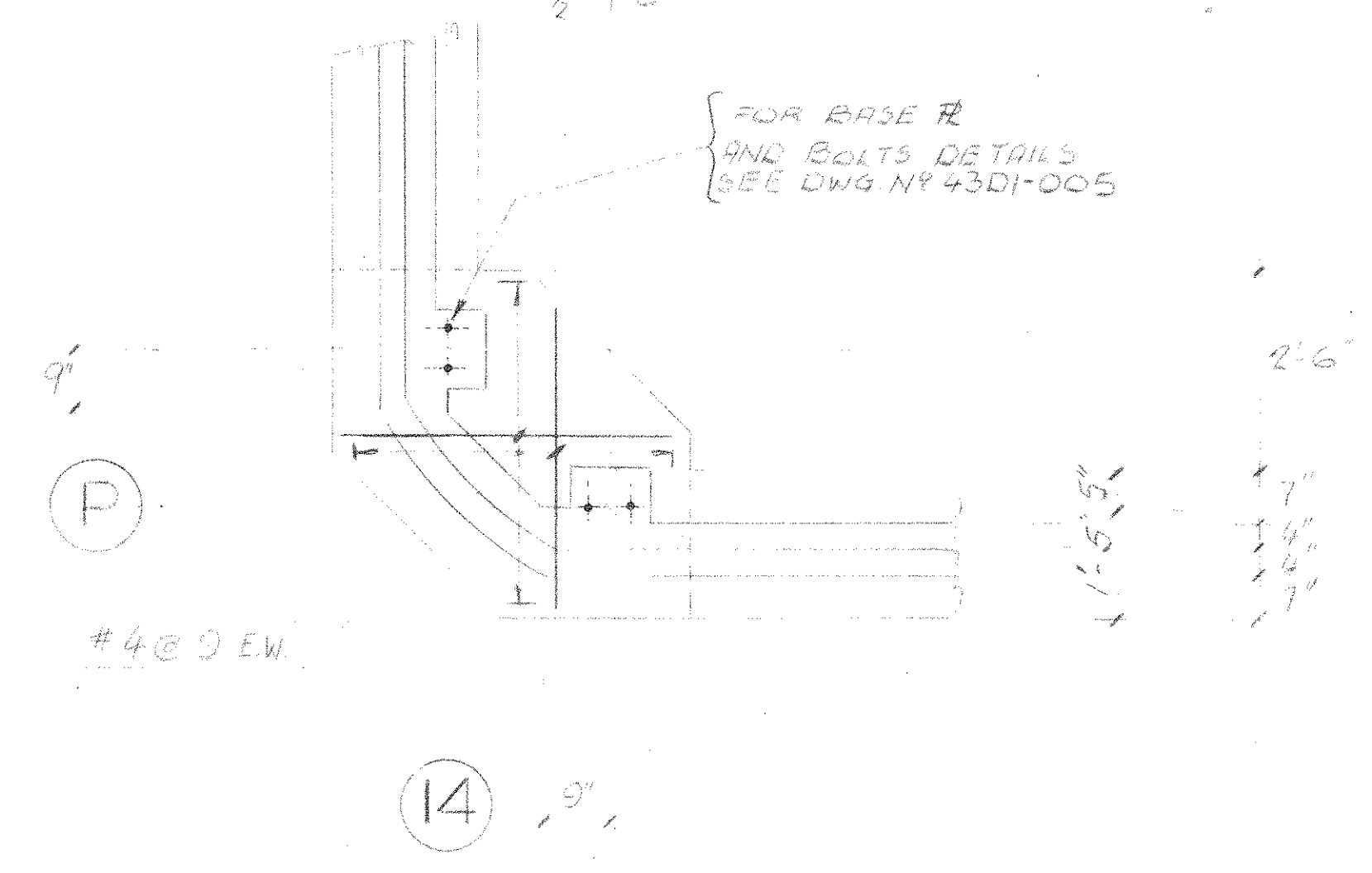
FOUNDATION PLAN



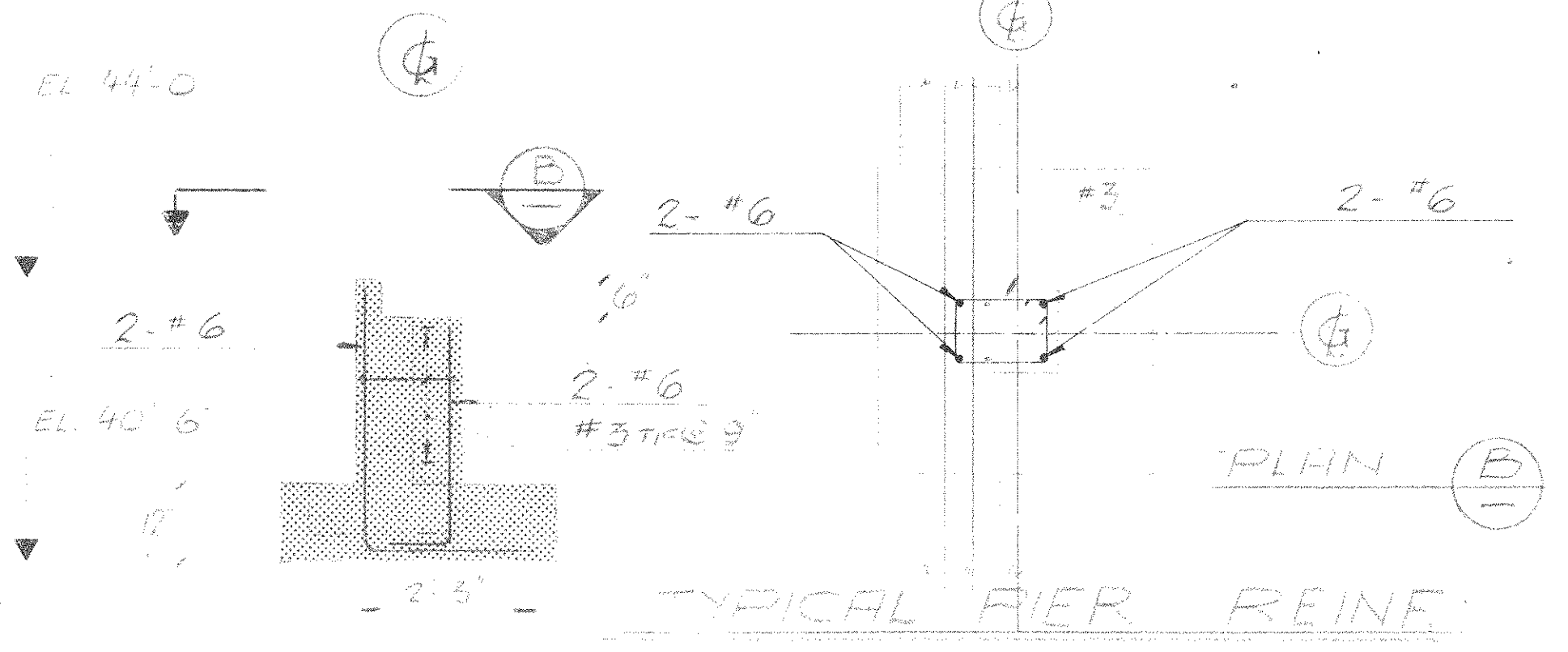
SECTION A



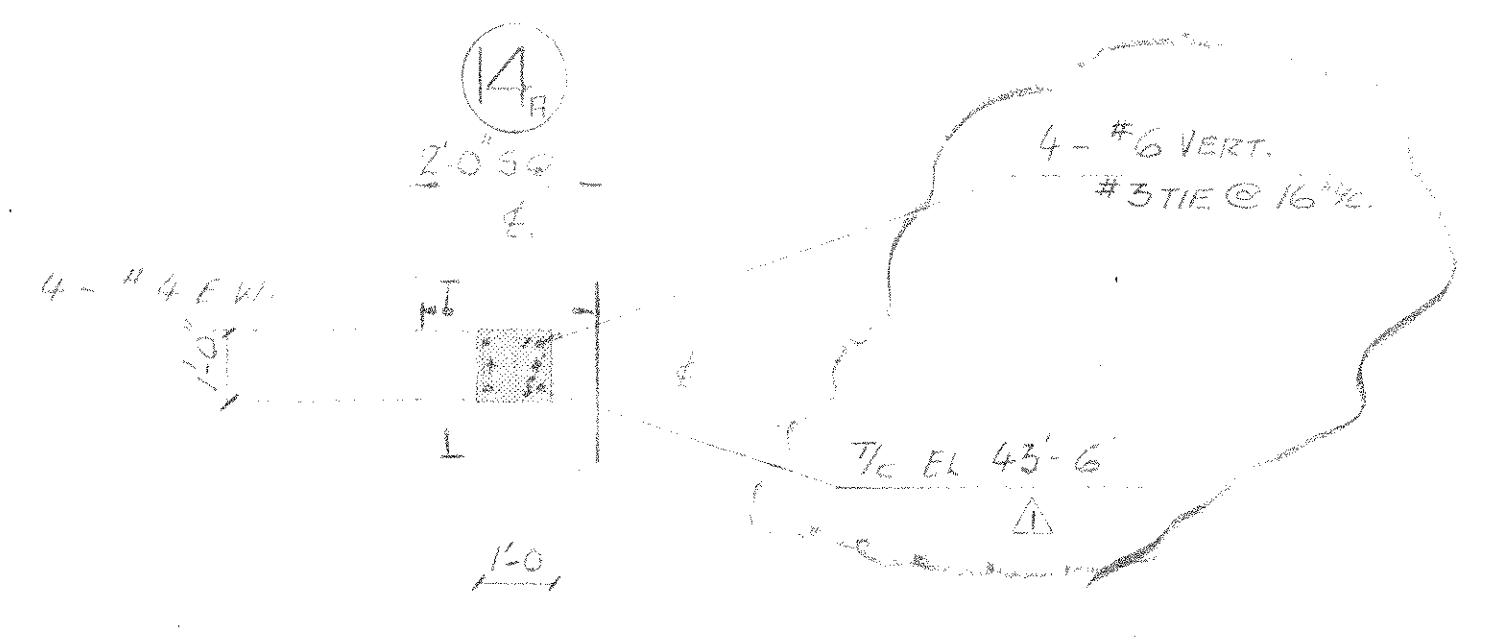
FOOTING TYPE A



FOOTING TYPE B



TYPICAL PIER REIN



FOOTING TYPE C

NOTE:  
 1. THIS DWG. TO BE READ IN CONJUNCTION WITH DWG. NO. 43D1-005 &  
 2. FOR GENERAL NOTES SEE DWG. NO. 42D1-005.

TEMPORARY PERMIT NO. 771 TO PRACTICE ENGINEERING IN THE STATE OF MARYLAND

**W.P. LONDON AND ASSOCIATES LIMITED**  
 CONSULTING ENGINEERS  
 NIAGARA FALLS

HARFORD COUNTY RESOURCE RECOVERY FACILITY - HARFORD COUNTY, MARYLAND

OFFICE FOUNDATION

**Consumat Systems, Inc.**  
 RICHMOND, VIRGINIA U.S.A.

2	ORIGINAL TRANSFERRED TO C.S.I.	NOV 19/86	KL
1	ROOF DRAIN SHOWIT		
0	REV. AS NOTED		
0	ISSUED FOR CONSTRUCTION		
0	REVISION	DATE	BY

SCALE 1/4" = 1'-0" DRAWN BY KKL/CLD DRAWING NO. 42-05-41004  
 DATE JULY 86 CHK. BY JKL/CLD SHEET 2 OF 2  
 DO NOT SCALE APPR. SHEET OF REV.