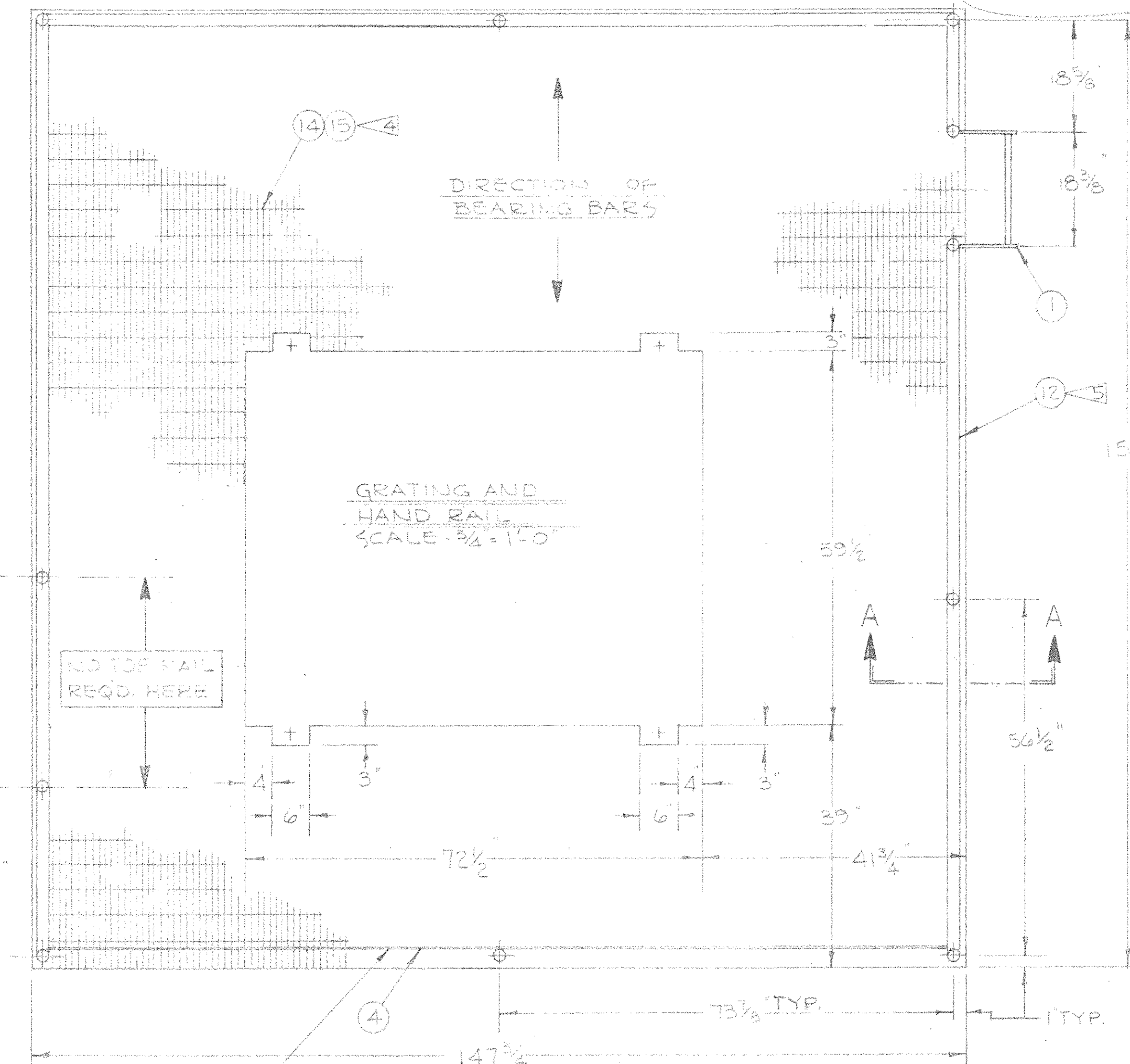
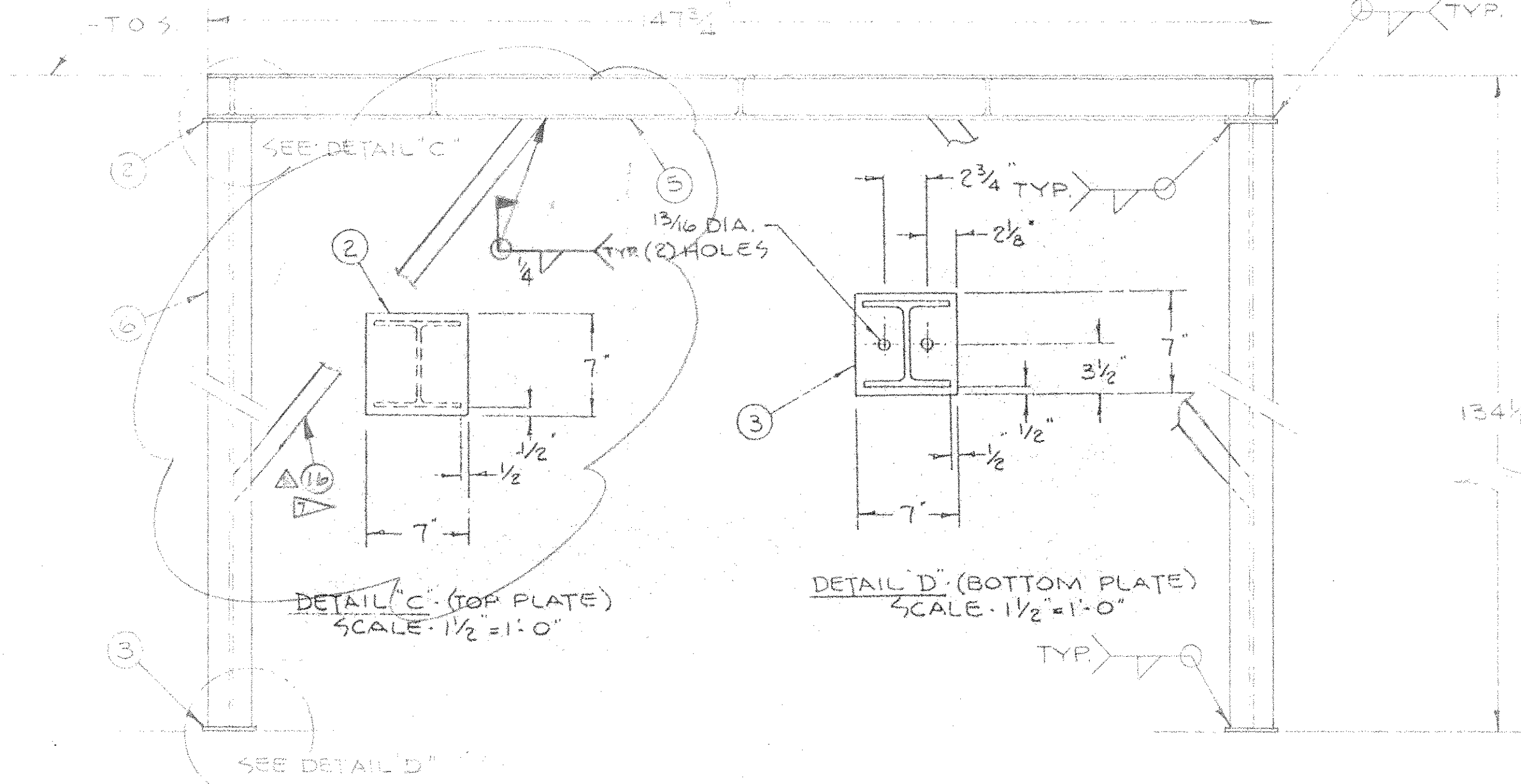
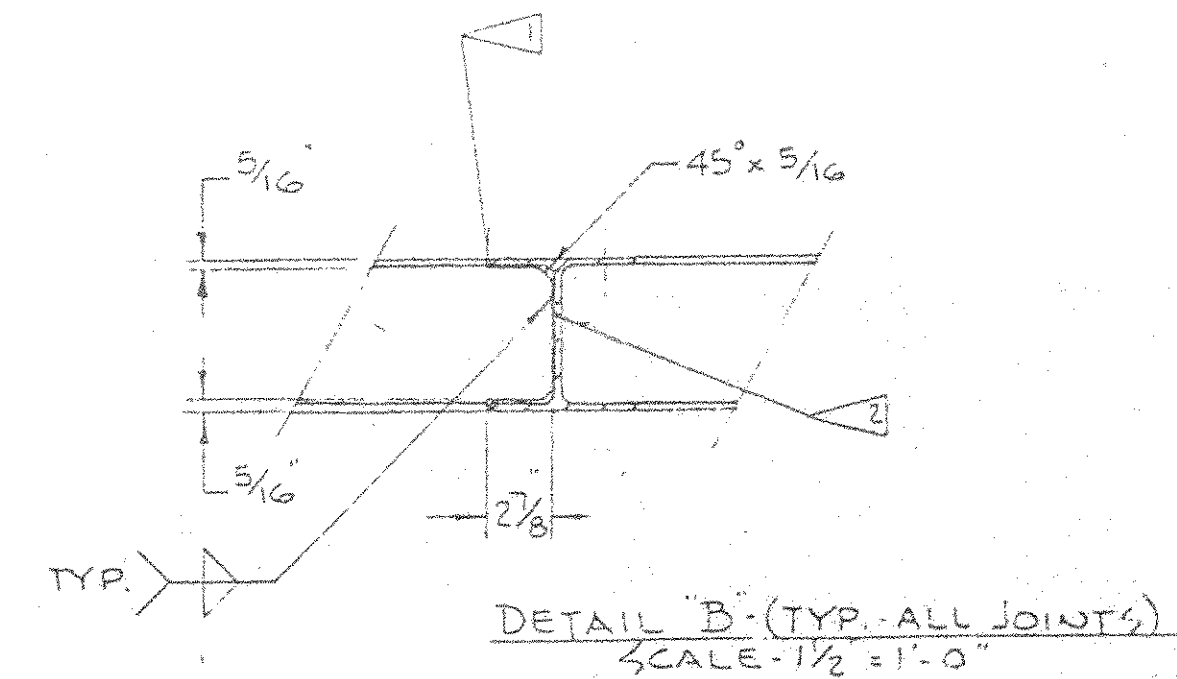
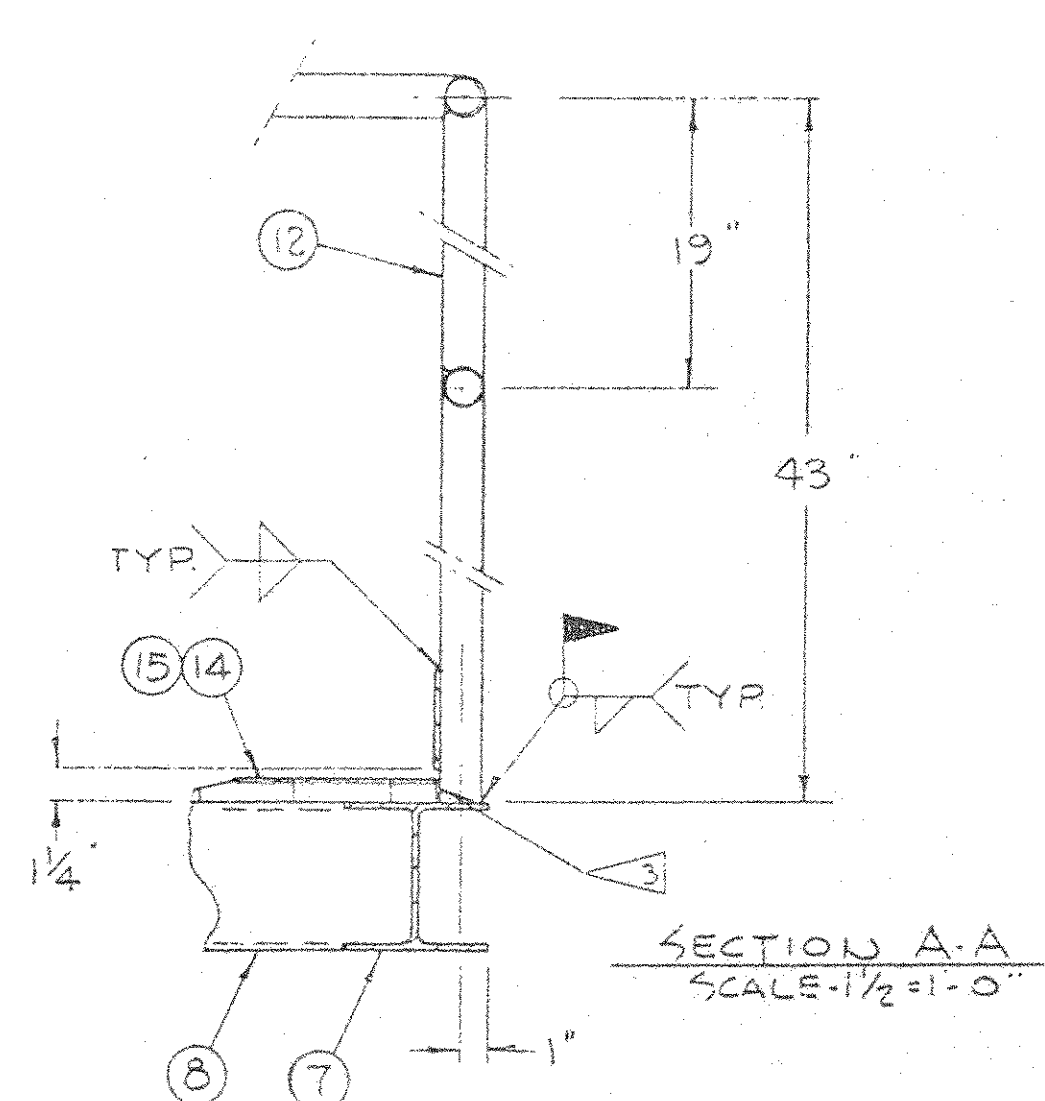
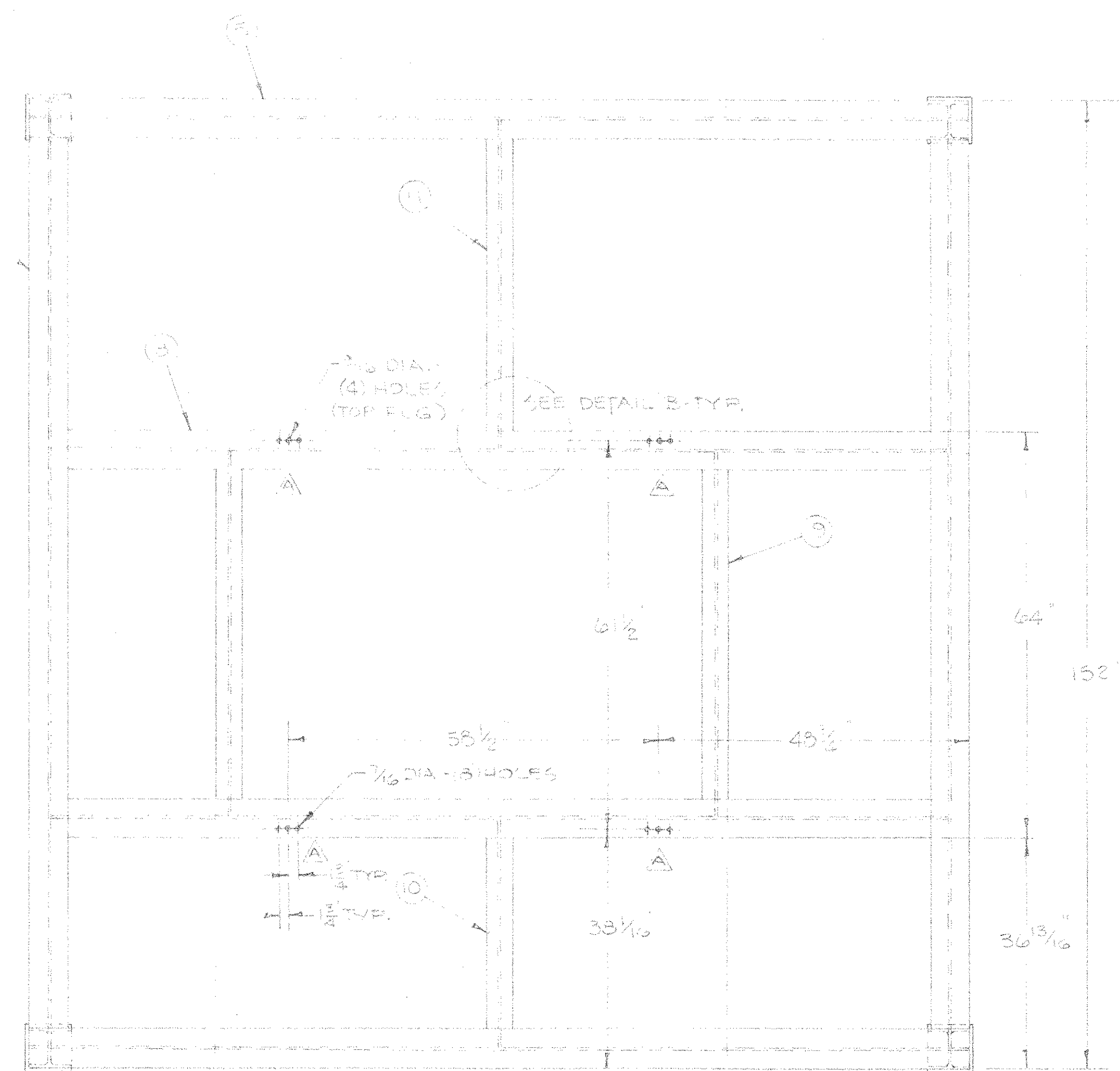


GROUP		PARTS LIST		
02	01	ITEM	PART	DESCRIPTION
	REF		C43-0332-60	ACCESS LADDER - PLATE/POST
4	2			1/2" x 7" FB x 7"
4	3			1/2" x 7" FB x 7"
	4			
2	5			WG x 15.0" x 141 3/4"
4	6			WG x 15.0" x 127 1/2"
2	7			WG x 15.0" x 145 5/8"
2	8			WG x 15.0" x 141 3/4"
2	9			WG x 9.0" x 57 1/2"
1	10			WG x 9.0" x 36 1/2"
1	11			WG x 9.0" x 50 3/16"
	12		C44-0220-60	HANDRAIL ASSY-RECIRC. FAN
	13			
2	14			9-W-4 GRATING 1" x 3/16" BEG. BARS - 24" WIDE x 152" LG.
				9 W-4 GRATING - 1" x 3/16" BEG. BARS - 36" WIDE x 152" LG.
3	15			9 W-4 GRATING - 1" x 3/16" BEG. BARS - 36" WIDE x 152" LG.
				4 3 x 3 x 1/4 x 66



- NOTE 4:
- 1 ALL STEEL TO BE FLUSH AT TOP, UNLESS OTHERWISE NOTED
 - 2 COPE ENDS OF BEAMS TO FIT AS SHOWN IN DETAIL 'B'
 - 3 GRATING SHOULD BE NOTCHED IN THE FIELD TO CLEAR HANDRAIL POSTS WHICH WELD TO BEAMS WITH TOE PLATES ON INSIDE AS SHOWN IN SECTION A-A.
 - 4 TACK WELD GRATING PANELS TO BEAMS AT ALL POINTS OF SUPPORT.
 - 5 ALL HANDRAIL TO BE OF WELDED CONSTRUCTION.
 - 6 ALL STEEL TO BE PAINTED (1) COAT GRAY RUST-RESISTANT PAINT - RUSTOLEUM UO. 904 GRAY OR EQUIVALENT.
 - 7 ANGLE STIFFENERS TO BE CUT & COPE IN FIELD.

Field Issued
Date: JUN 10 1987

ISSUED FOR CONSTRUCTION

AUTH. *[Signature]* DATE: 6/9/87

HARFORD CO	P4805	01	4902	-
CSI PROCESS SPEC NUMBER	GROUP	B/M	D/L	NEXT HIGHER ASSY
PLATFORM-RECIRCULATING FAN				
C5-3000E				

Consumat Systems, Inc.
RICHMOND, VIRGINIA U.S.A.

B	ADDED ITEM 16 (NOTE 7)	6-8-87	DMH	SCALE AS NOTED	DRAWN	EAG	DRAWING NO.
A	ADD 13 7/16 HOLES	3-23-87	CT	DATE 2-16-87	CHK.		D-44-0216
NO	REVISION	DATE	BY	DO NOT SCALE	APPR.		SHEET 1 OF 1

THIS DRAWING IS THE PROPERTY OF CONSUMAT SYSTEMS, INC. AND IS TO BE USED ONLY FOR THE SPECIFIC ITEMS ON ORDER FOR CONSUMAT SYSTEMS, INC. SUBJECT TO RETURN UPON DEMAND AND IS NOT TO BE REPRODUCED, PHOTOCOPIED, OR REPRODUCED IN ANY MANNER WITHOUT WRITTEN PERMISSION OF CONSUMAT SYSTEMS, INC.