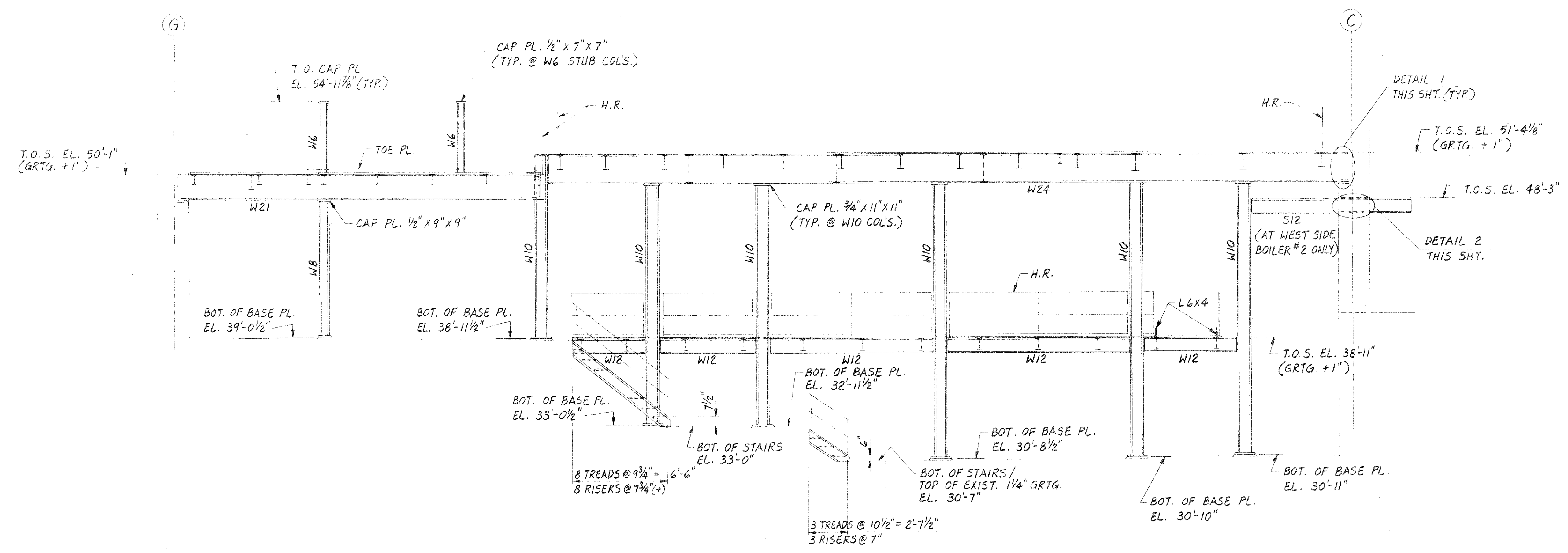
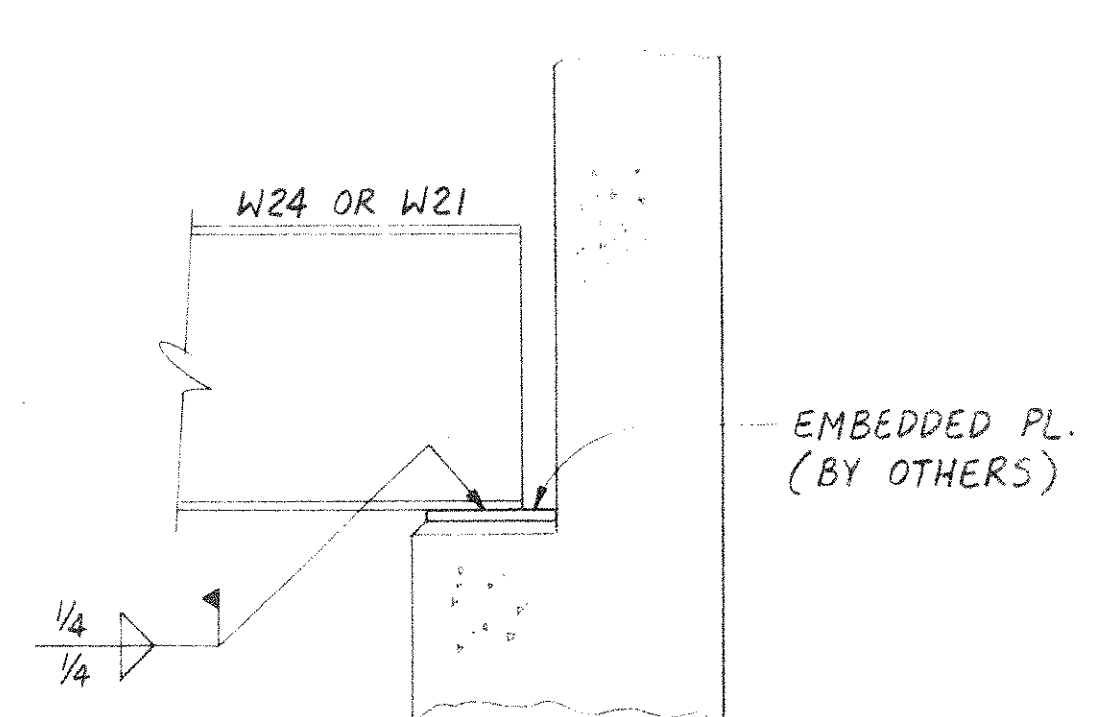


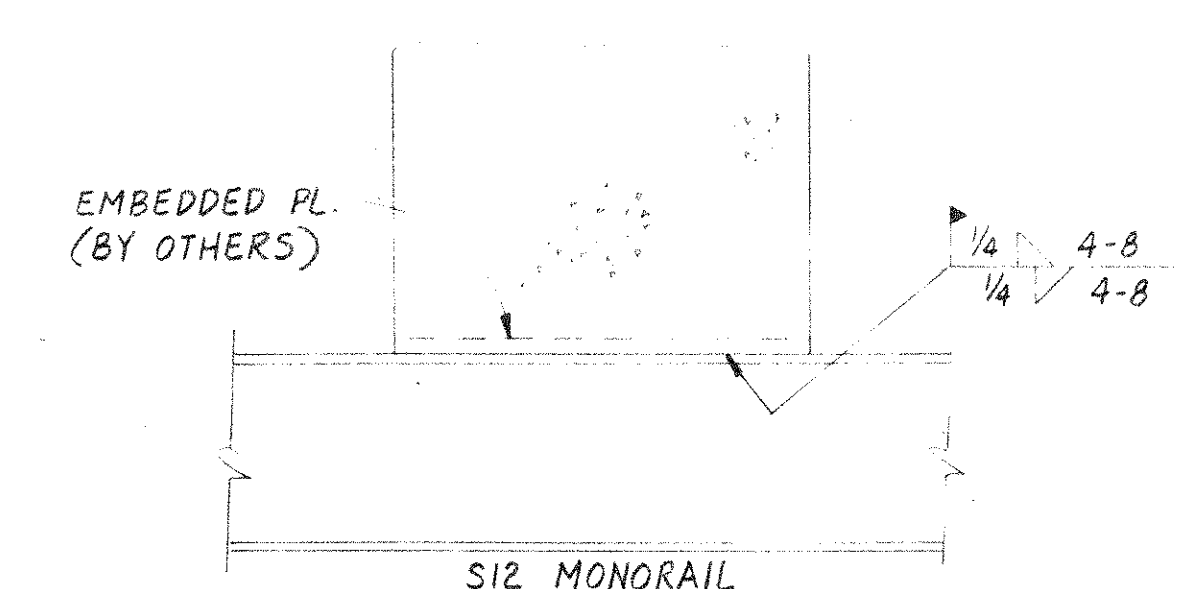
| GROUP | | PARTS LIST | | DESCRIPTION |
|-------|----|------------|------|--|
| 02 | 01 | ITEM | PART | |
| | | 1 | | RY-WELD TYPE 19-W-4 GRATING 1" X 3/16" BEARING BARS OR EQUIVALENT 20'-0" BEARING BAR LENGTH |
| | | 2 | | 1/4" SCH. 40 PIPE (WELDED) |
| | | 3 | | 1/4" X 4" F.B. |



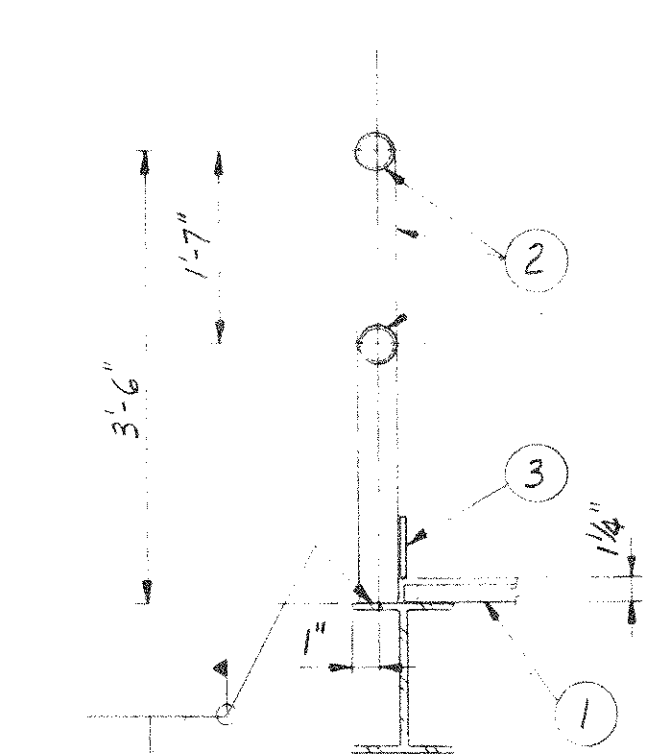
SECTION A-A
SCALE: 1/4" = 1'-0"



DETAIL 1
SCALE: 3/4" = 1'-0"



DETAIL 2
SCALE: 1" = 1'-0"



TYPICAL HANDRAIL SECTION
NOT TO SCALE

THIS DRAWING IS THE PROPERTY OF CONSUMAT SYSTEMS, INC. AND IS TO BE USED ONLY FOR PRODUCING ITEMS ON ORDER FOR CONSUMAT SYSTEMS, INC. SUBJECT TO REVISION FROM CHANGING DEMAND AND IS NOT TO BE REPRODUCED, PHOTOCOPIED, REPRODUCED OR USED IN ANY MANNER WITHOUT THE WRITTEN PERMISSION OF CONSUMAT SYSTEMS, INC.

KLS 11/1/86

| | | | | | |
|------------------|--------|-------|-----|-----|------------------|
| HARFORD | P-4805 | GROUP | B/M | D/L | NEXT HIGHER ASSY |
| CSI PROCESS SPEC | NUMBER | | | | |

PLATFORM SECTIONS & DETAILS

| | | |
|----------------|----------------|--------------|
| SCALE AS NOTED | DRAWN R. DAVIS | DRAWING NO. |
| DATE 10-14-86 | CHK L. SLITTON | D-44-0208 |
| DO NOT SCALE | APP | SHEET 5 OF 6 |

Consumat Systems, Inc.
 RICHMOND, VIRGINIA U.S.A.