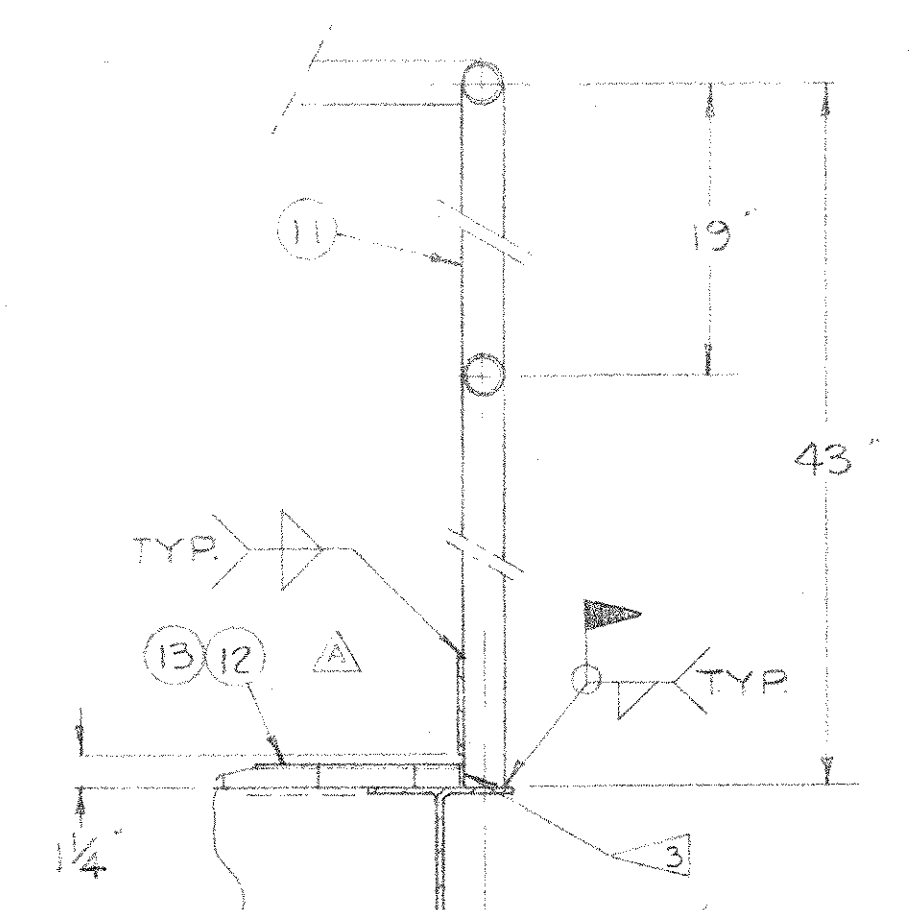
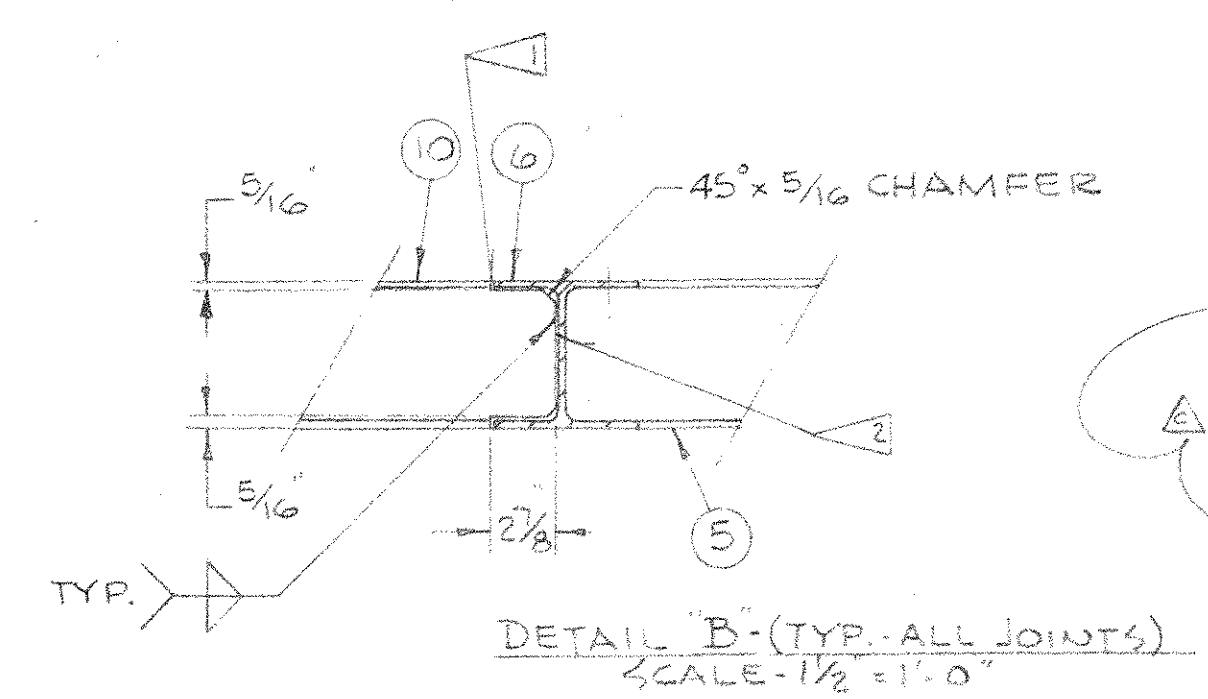


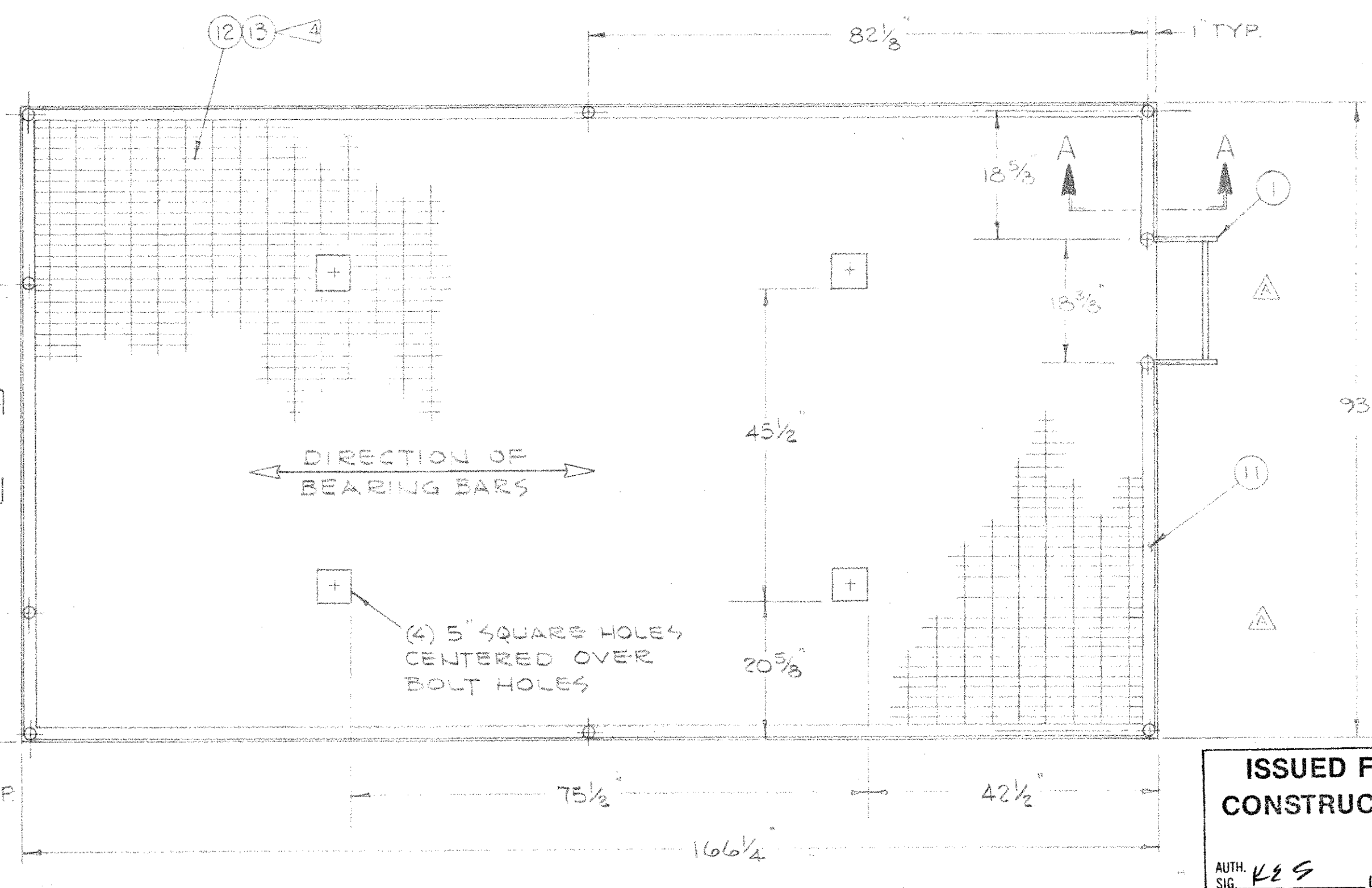
FRAMING PLAN
SCALE - 3/4" = 1'-0"



SECTION A-A
SCALE - 1/2" = 1'-0"



DETAIL B (TYP. ALL JOINTS)
SCALE - 1/2" = 1'-0"



HAND RAIL & GRATING
SCALE - 3/4" = 1'-0"

GROUP		PARTS LIST		
02	01	ITEM	PART	DESCRIPTION
	REF	1	C43-0332-01	ACCESS LADDER PLATFORM
	4	2		1/2 x TFB. x 7
	4	3		1/2 x TFB. x 7
	4	4		
	2	5		W6 x 15.0" x 166 1/4
	4	6		W6 x 15.0" x 86 5/8
	4	7		W6 x 15.0" x 127 1/8
	1	8		W6 x 9.0" x 43 3/8
	1	9		W6 x 9.0" x 44 1/8
	2	10		W6 x 9.0" x 71 5/8
	1	11	844 0213 601	HANDRAIL ASSY. U/C PLATE
	2	12		19-W-4 GRATING - 1" x 3/16 BRG BARS - 36" W. x 166 LG.
	1	13		19-W-4 GRATING - 1" x 3/16 BRG BARS - 24" W. x 166 LG.
	8	14		3"x3"x 1/4" x 66"

- NOTES:
- 1 ALL STEEL TO BE FLUSH AT TOP, UNLESS OTHERWISE NOTED
 - 2 COPE ENDS OF BEAMS TO FIT AS SHOWN IN DETAIL "B"
 - 3 GRATING SHOULD BE NOTCHED IN THE FIELD TO CLEAR HANDRAIL POSTS WHICH WELD TO BEAMS WITH TOP PLATES ON INSIDE AS SHOWN IN SECTION A-A.
 - 4 TACK WELD GRATING PANELS TO BEAMS AT ALL POINTS OF SUPPORT.
 - 5 ALL HANDRAIL TO BE OF WELDED CONSTRUCTION.
 - 6 ALL STEEL TO BE PAINTED (1) COAT GRAY RUST RESISTANT PAINT - RUSTOLEUM NO. 704 GRAY OR EQUIVALENT
 - 7 ANGLE STIFFENERS TO BE CUT & COPE IN FIELD

ISSUED FOR CONSTRUCTION
AUTH. SIG. *[Signature]* DATE: 6/9/87

Field Issued
Date: JUN 10 1987

NO.	REVISION	DATE	BY
C	ADDED ITEM 14, TURNED ITEM 7 (2011)	6-8-87	AW
B	ADD (8) 1/16 HOLES	3-18-87	AW
A	ITEM 1 RELOCATED, HANDRAIL ASSY. ADD - ITEM 4 REMOVED	2-17-87	AW

HARFORD CO 4805
CSI PROCESS SPEC NUMBER
GROUP B/M D/L NEXT HIGHER ASSY

01 4900 ~

PLATFORM - U/C BLOWER
C4-3000E

Consumat Systems, Inc.
RICHMOND, VIRGINIA U.S.A.

SCALE AS NOTED DRAWN EAS
DATE 2-6-87 CHK.
DO NOT SCALE APPR.

DRAWING NO. D-44-0214
SHEET OF 1

THIS DRAWING IS THE PROPERTY OF CONSUMAT SYSTEMS, INC. AND IS TO BE USED ONLY FOR PRODUCING ITEMS ON ORDER FOR CONSUMAT SYSTEMS, INC. SUBJECT TO RETURN FROM ORDER AND IS NOT TO BE PRINTED, PHOTOGRAPHED, COPIED, REPRODUCED, LOANED OR USED IN ANY WAY WITHOUT WRITTEN PERMISSION OF CONSUMAT SYSTEMS, INC.