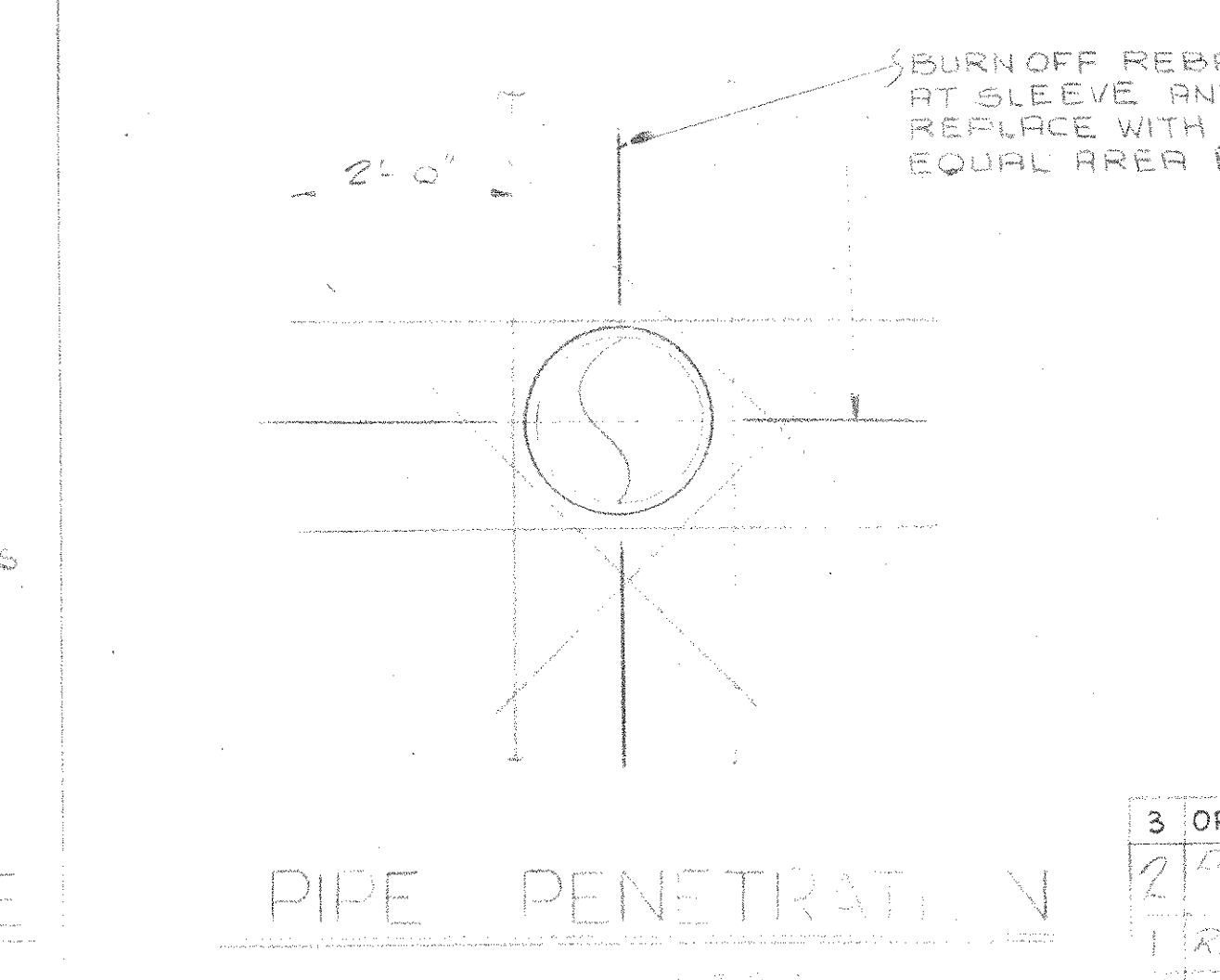
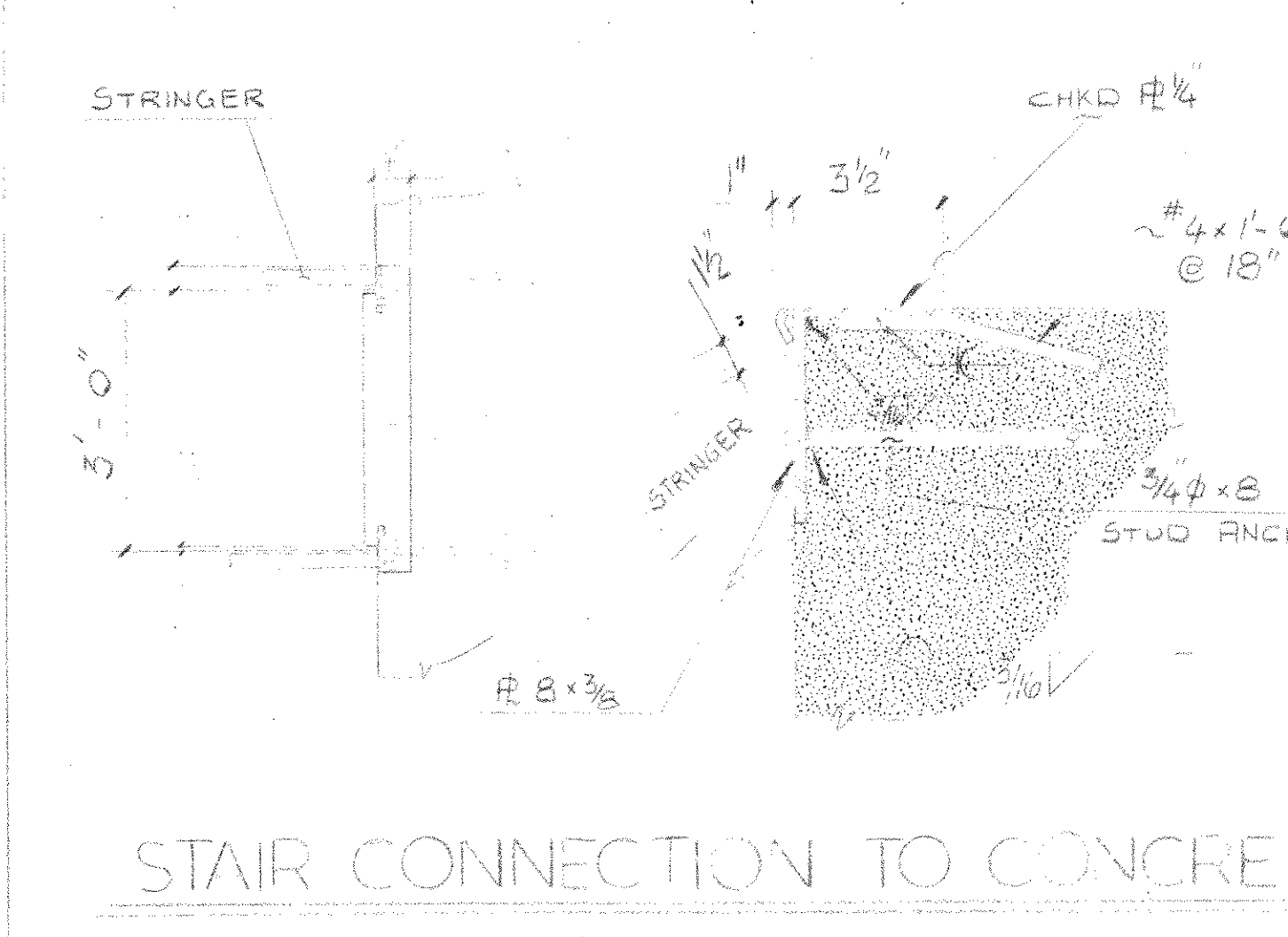
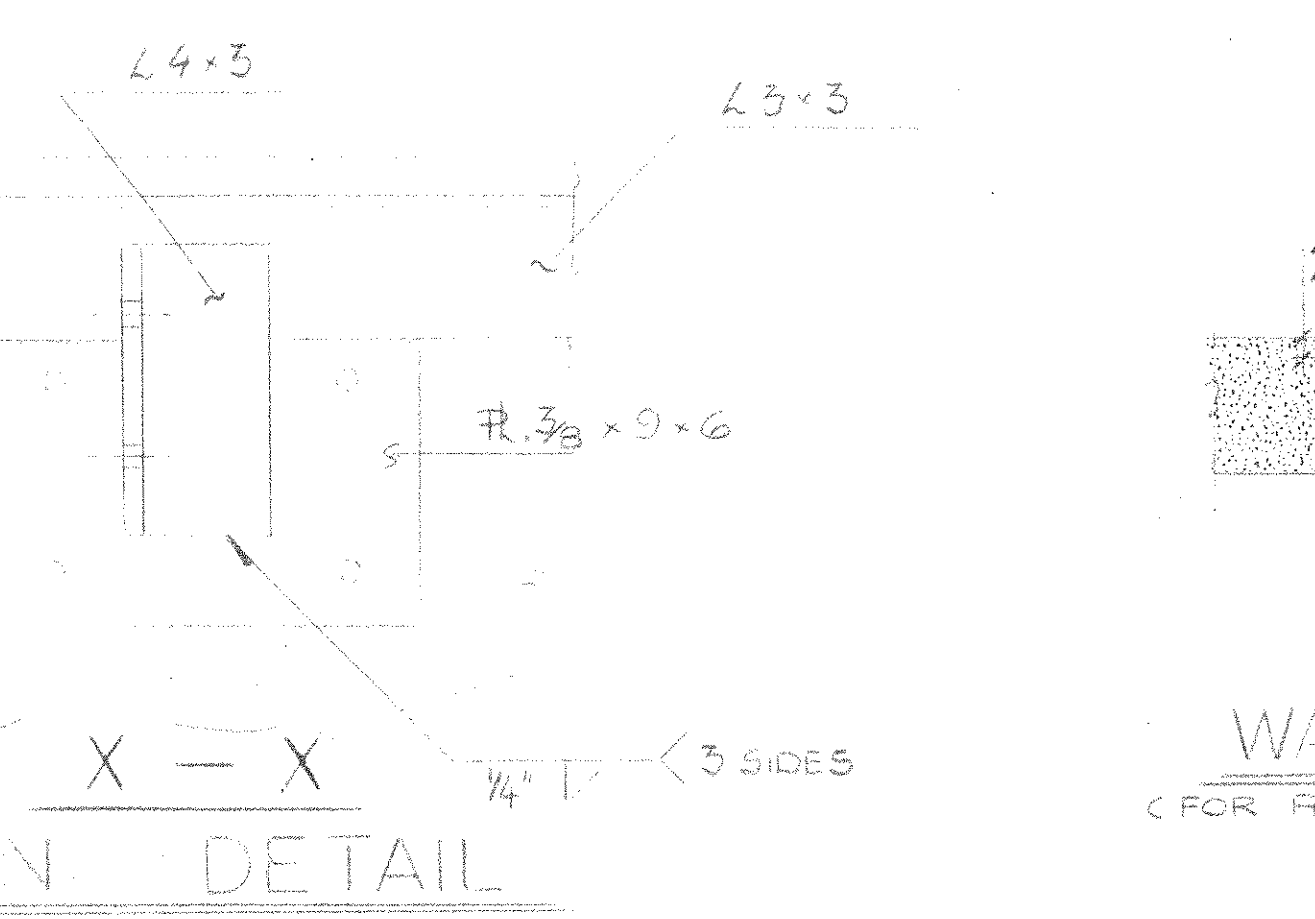
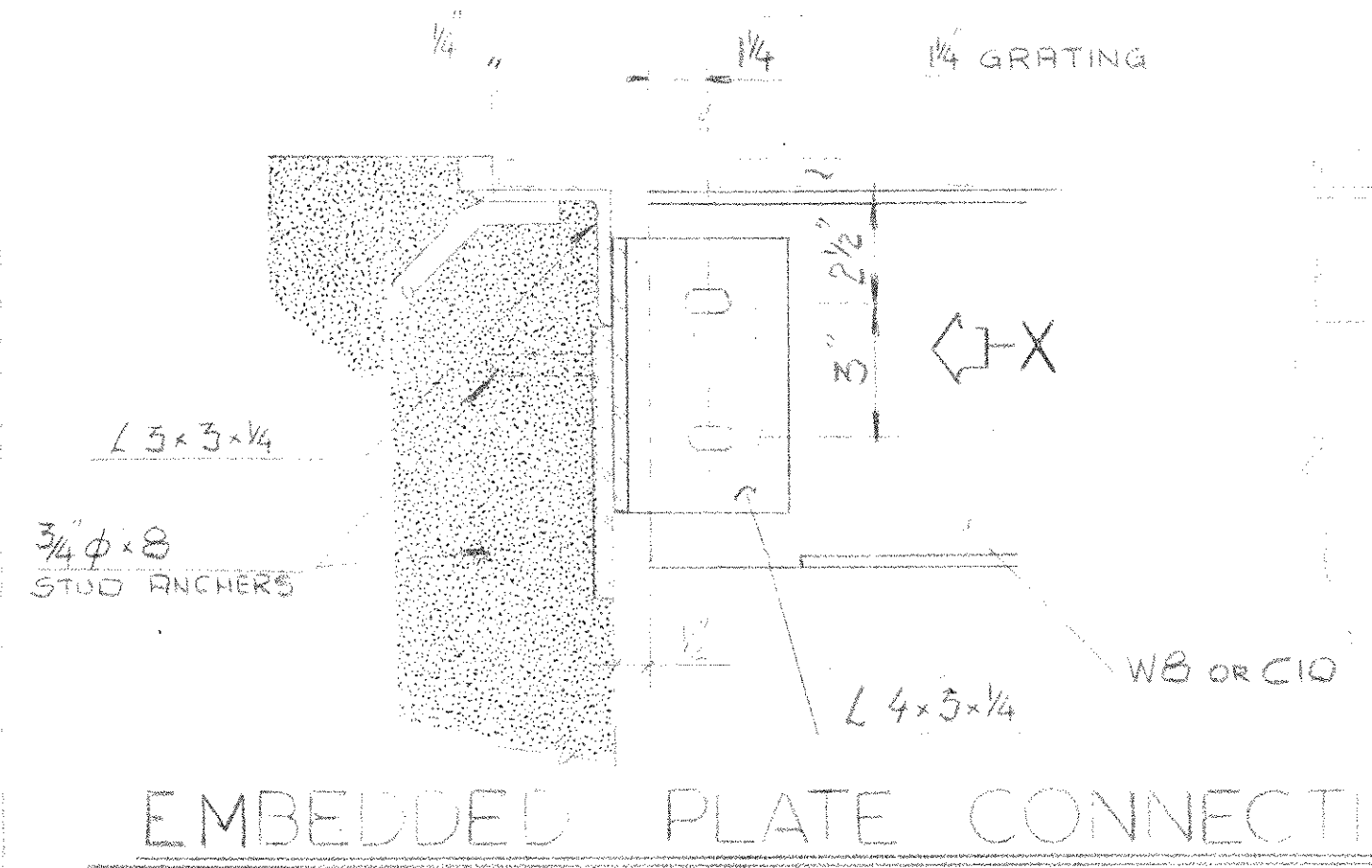
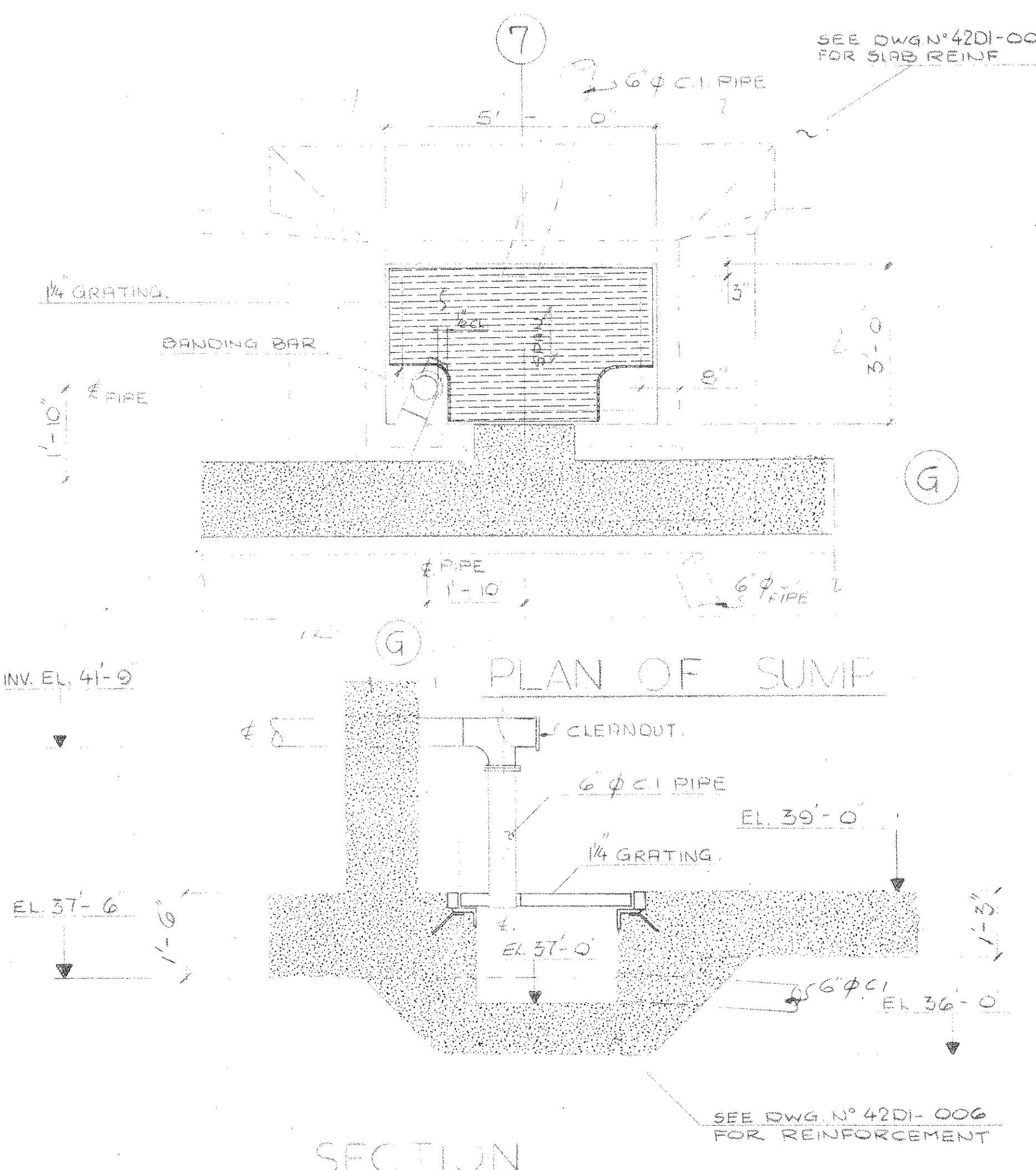


NOTE:  
 1. THIS DWG TO BE READ IN CONJUNCTION WITH DWG NO 42DI-001, 002, & 003.  
 2. FOR GENERAL NOTES SEE DWG. NO. STEEL 43DI-004 CONC. 42DI-005



TEMPORARY PERMIT NO. 771 TO PRACTICE ENGINEERING IN THE STATE OF MARYLAND

**W.P. LONDON AND ASSOCIATES LIMITED**  
 CONSULTING ENGINEERS  
 NIAGARA FALLS

HARFORD COUNTY RESOURCE RECOVERY FACILITY - HARFORD COUNTY, MARYLAND

**REINFORCED CONCRETE MISCELLANEOUS DETAILS**

**Consumat Systems, Inc.**  
 RICHMOND, VIRGINIA U.S.A.

3 ORIGINAL TRANSFERRED TO C.S.I. NOV 19/86 KL.  
 2 REVISIONS  
 1 RELEASED FOR CONSTRUCTION 9/12/86  
 DO NOT SCALE

SCALE AS NOTED DRAWN BY KARRA SZ DATE 8-11-83 CHK. DATE 8-11-83 APPR. DATE 8-11-83 SHEET OF REV.