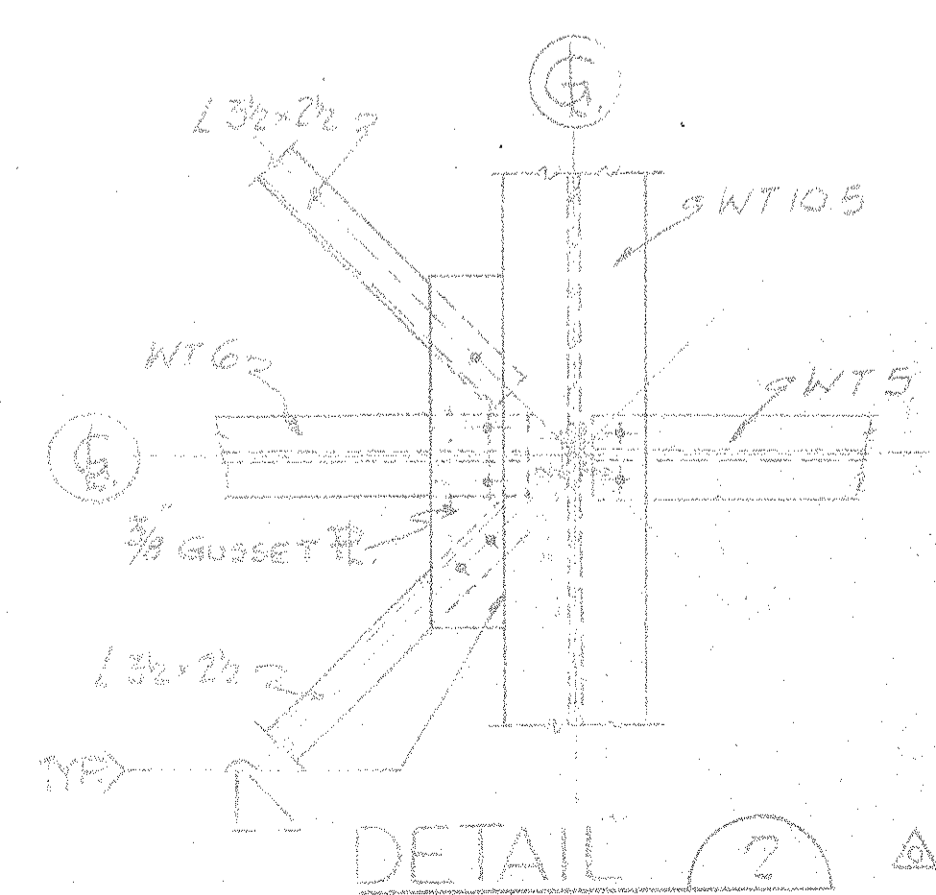
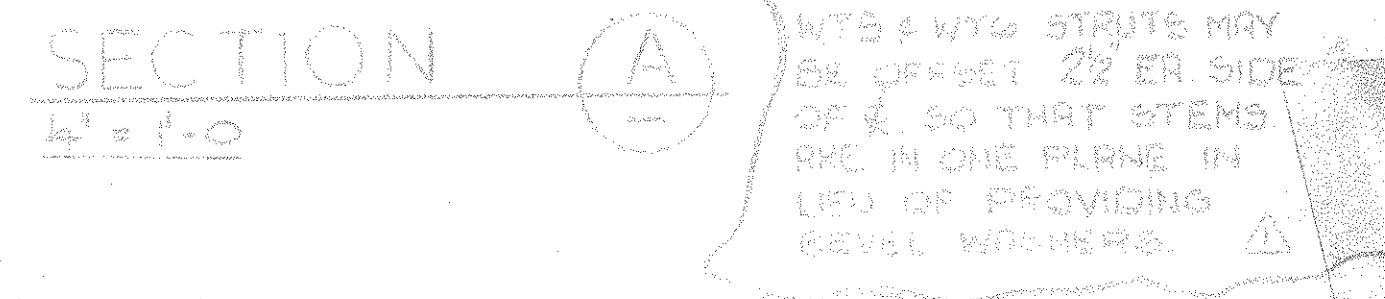
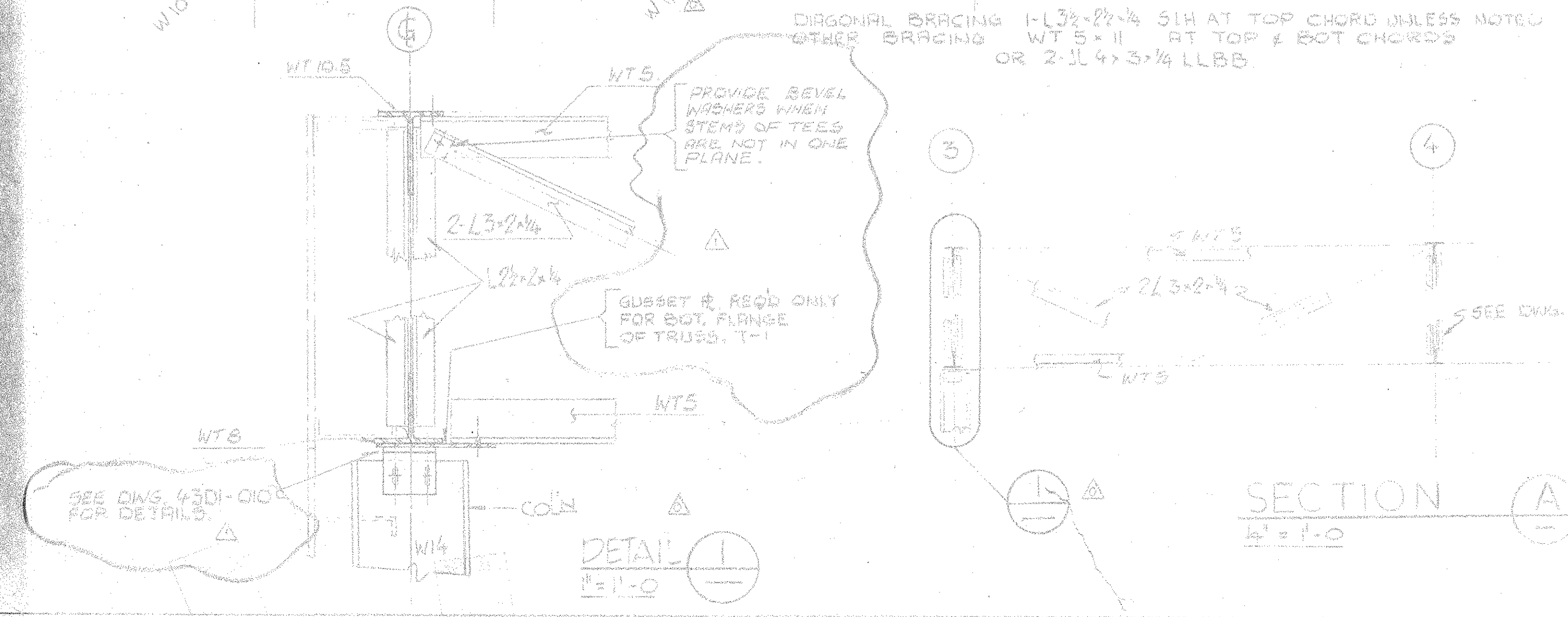
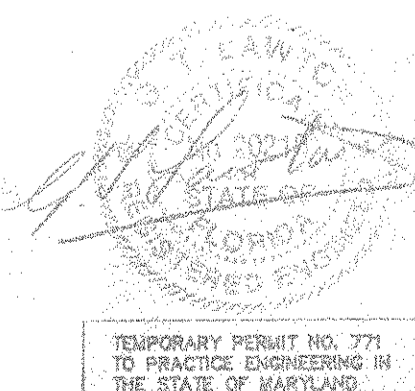


PLAN
 NOTE: FOR TRUSS DETAILS SEE
 DWG. 43DI-0010



NOTE
 1) FOR GENERAL NOTES SEE DWG. NY43DI-004



W.P. LONDON AND ASSOCIATES LIMITED CONSULTING ENGINEERS NIAGARA FALLS			
HARFORD COUNTY RESOURCE RECOVERY FACILITY - HARFORD COUNTY, MARYLAND			
ROOF FRAMING PLAN - EQUIPMENT AREA			
Consumat Systems, Inc. RICHMOND, VIRGINIA U.S.A.		DRAWING NO. 1024-0000-43DI-003	
SCALE: 1/4" = 1'-0"	DRAWN: ASK	DATE: 8/6	SHEET 2 OF 2
DATE: 8/6	CHK: SKS	DATE: 8/6	REV.
DO NOT SCALE	APPR: W.P. LONDON	DATE: 8/6	REV.

NO.	REVISION	DATE	BY
2	ORIGINAL TRANSFERRED TO C.S.I.	NOV 19/86	KL
1	NOTES ADDED, REVISED AS SHOWN ON SET OF 3-10	86/108/	KL
0	ISSUED FOR CONSTRUCTION	86/07/25	DFP
0	ISSUED FOR PRICING	JUN 10/86	DFP
0	ISSUED FOR BIDDING		