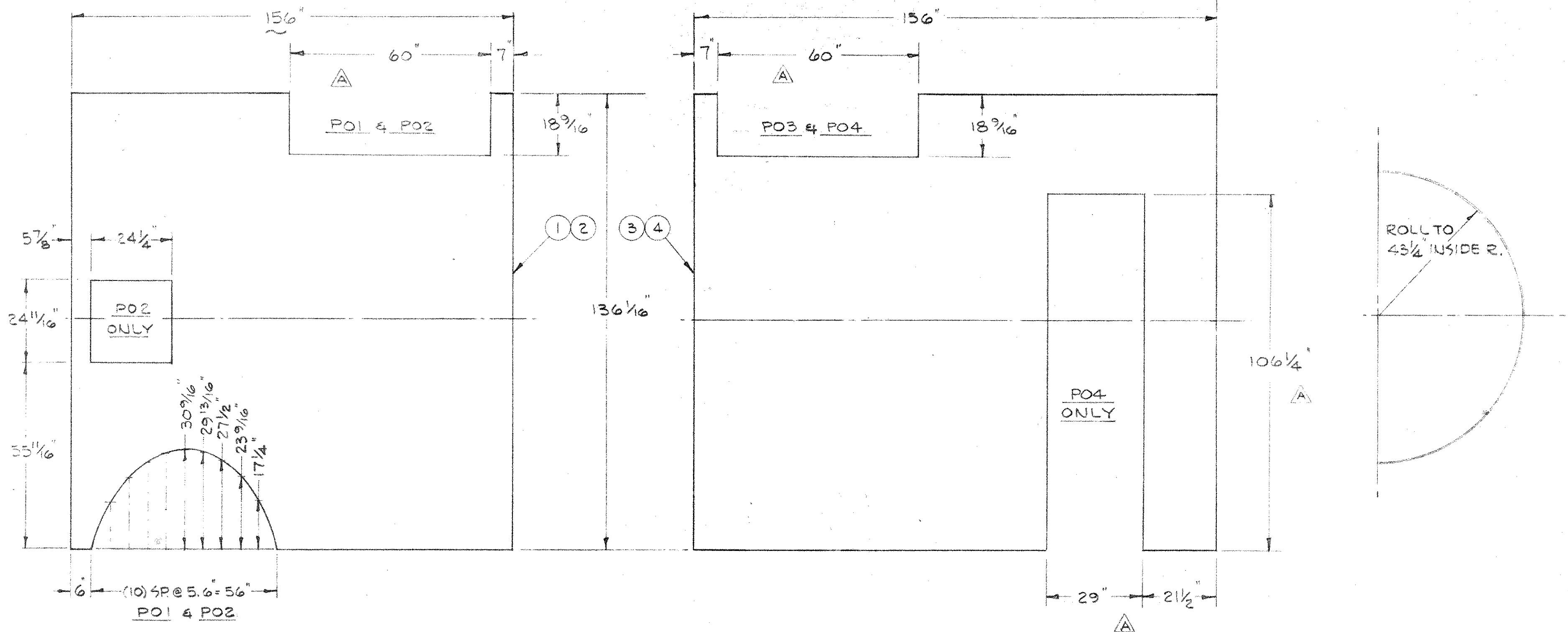
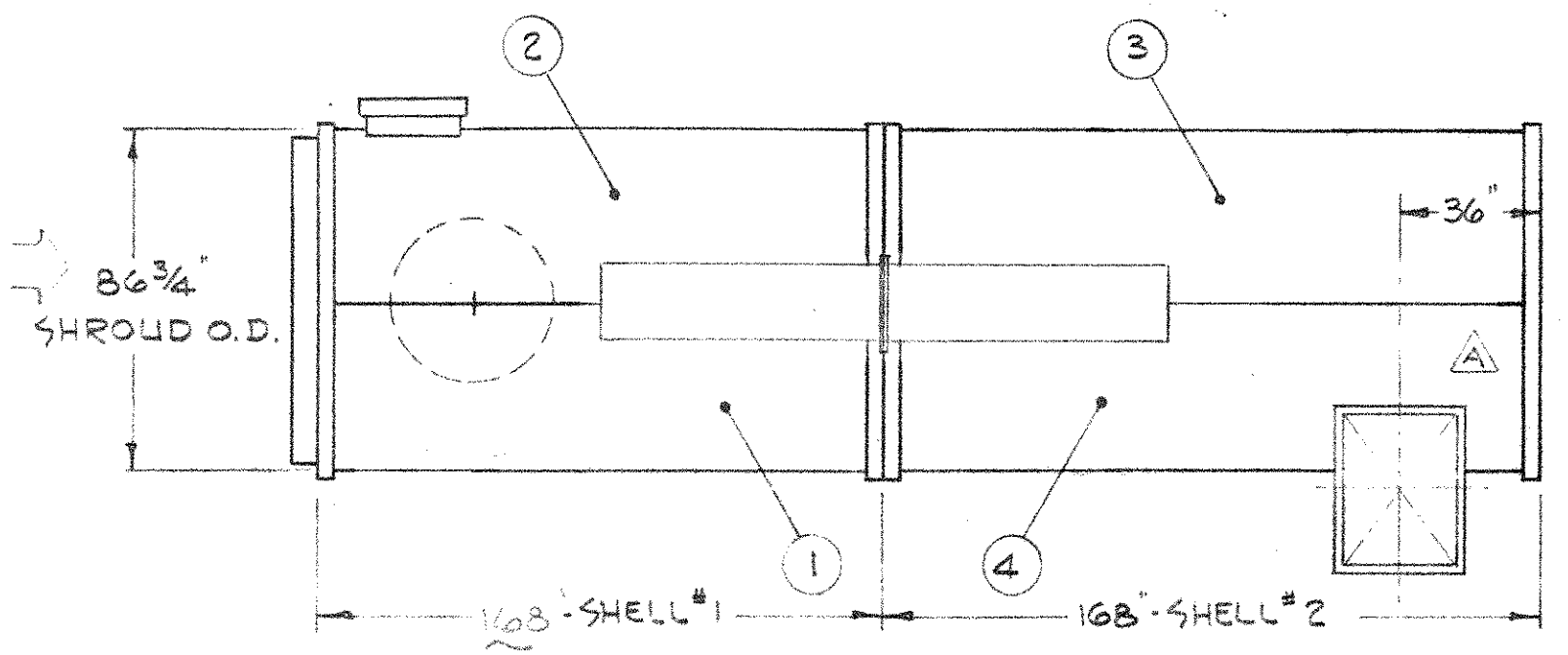


GROUP		PARTS LIST			
02	01	ITEM	PART	DESCRIPTION	
-	1	1		10GA. x 136 1/16 x 156	H.R.S.
-	1	2		10GA. x 136 1/16 x 156	H.R.S.
1	-	3		10GA. x 136 1/16 x 156	H.R.S.
1	-	4		10GA. x 136 1/16 x 156	H.R.S.



NOTE:
 ▽ ALL SHROUD OPENINGS TO BE SEALED TO SHELL ASSEMBLY.

GO1 - SHELL No. 1
 GO2 - SHELL No. 2



SCALE - 1/4" = 1'-0"

THIS DRAWING IS THE PROPERTY OF CONSUMAT SYSTEMS INC., AND IS TO BE USED ONLY FOR PRODUCING ITEMS ON ORDER FOR CONSUMAT SYSTEMS INC. SUBJECT TO RETURN UPON DEMAND AND IS NOT TO BE PRINTED, PHOTOGRAPHED, COPIED, REPRODUCED, LOANED OR USED IN ANY WAY WITHOUT WRITTEN PERMISSION OF CONSUMAT SYSTEMS INC.

02	4495		
01	4495		
GROUP	B/M	D/L	NEXT HIGHER ASSY

SHROUD DETAIL - UPPER CHAMBER
 CS-3000E

Consumat Systems, Inc.
 RICHMOND, VIRGINIA U.S.A.

A	DUCT OPENINGS w/DIMS ADDED	8-22-86	EAS	SCALE 1/2" = 1'-0"	DRAWN EAS	DRAWING NO.
NO.	REVISION	DATE	BY	DO NOT SCALE	CHK.	C-31G-011
					APPR.	SHEET OF

