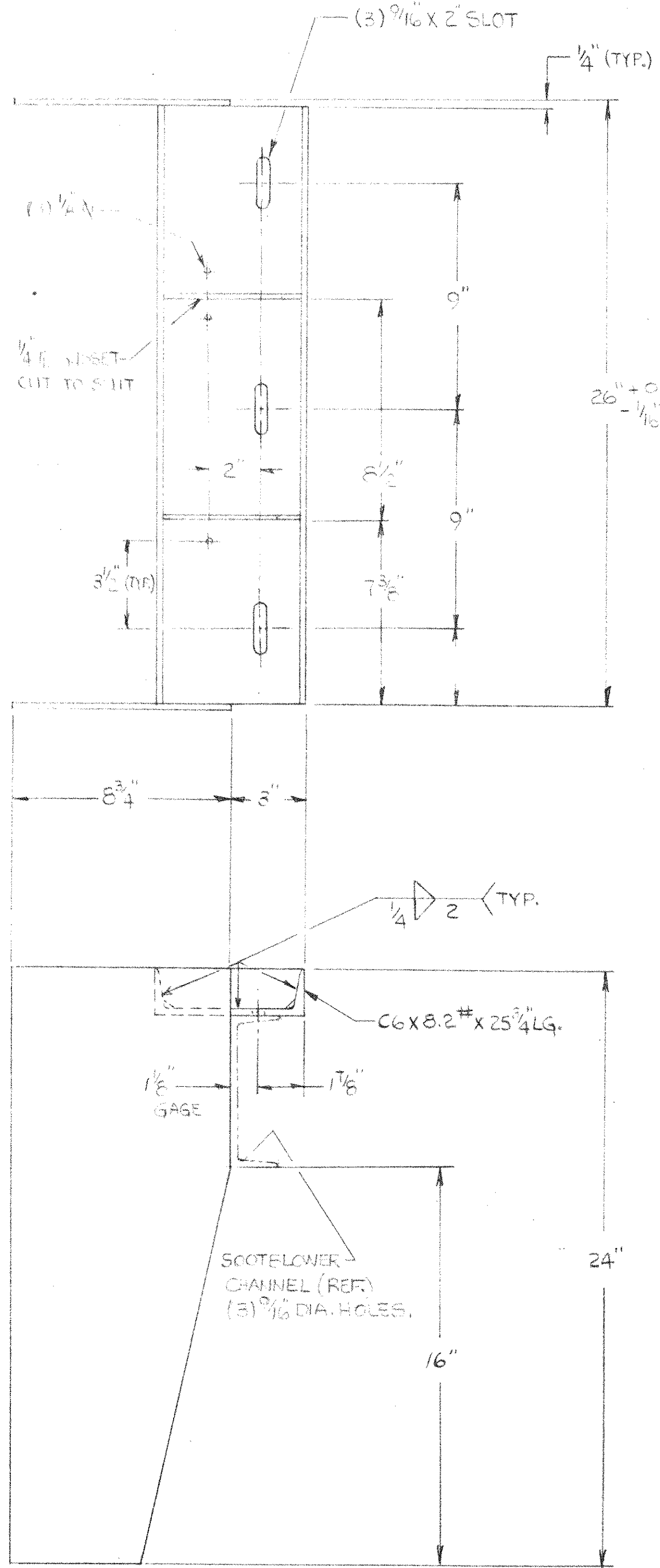


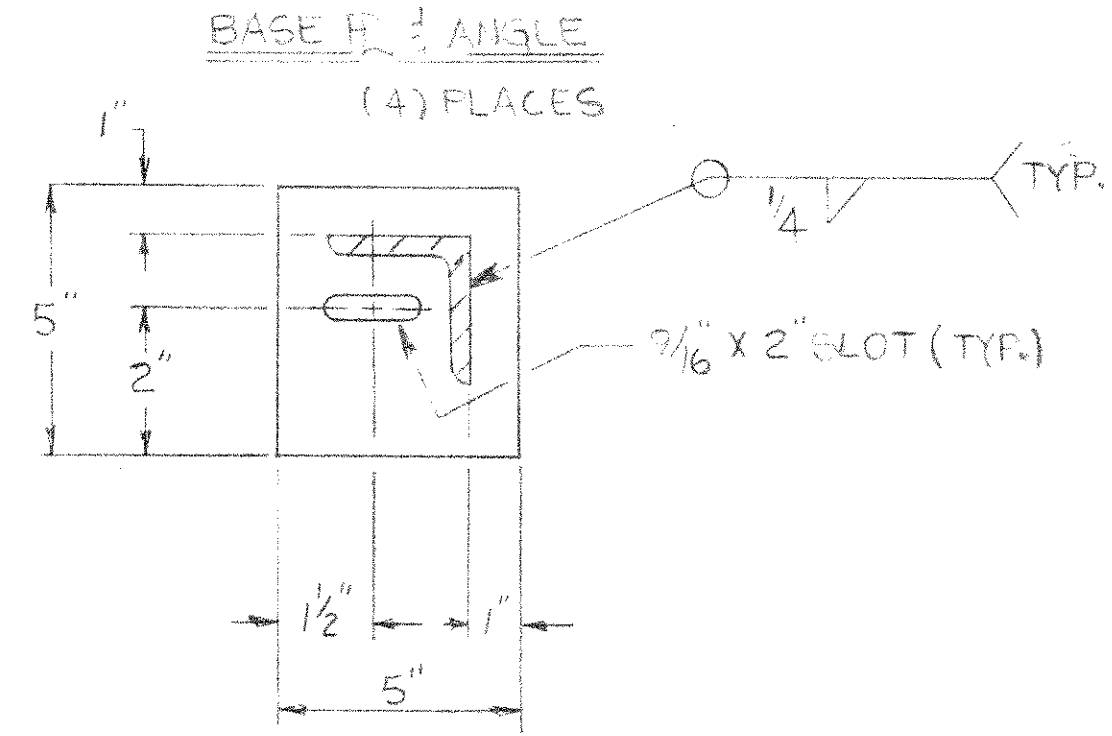
GROUP		PARTS LIST		
02	01	ITEM	PART	DESCRIPTION



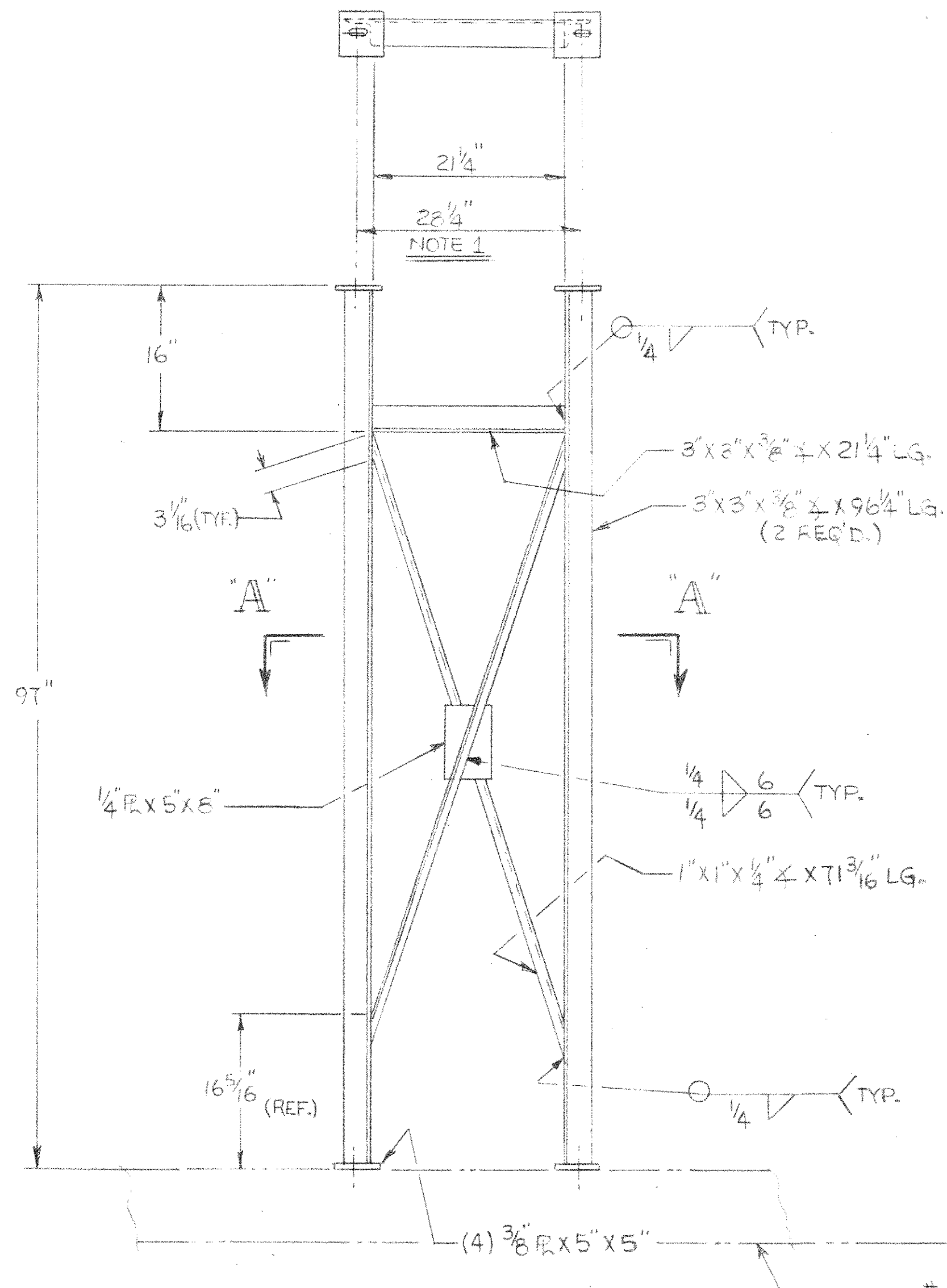
FRONT SUPPORT
(9 REQ'D.)

SCOTELOWER CHANNEL (REF.)
(3) 7/16 DIA. HOLES.

- MAT'L: QTY.
- (2) 1/4" R X 8 3/4" X 24"
 - (1) C6 X 8.2# X 25 3/4"
 - (2) 1/4" X 1 3/4" F.B. X 5 1/2"
 - (3) 1/2" BEVEL WASHER.



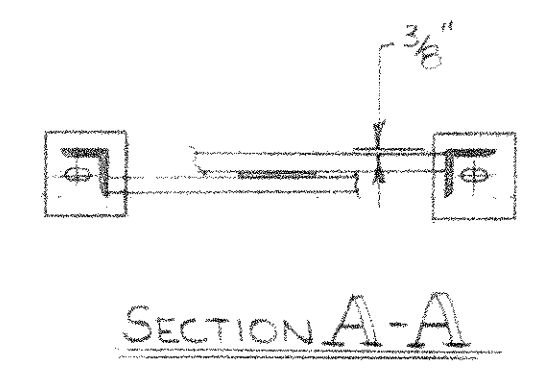
REAR SUPPORT
(9 REQ'D.)



- MAT'L: QTY.
- (4) 3/8" R X 5" X 5"
 - (2) 3" X 3" X 3/8" X 21 1/4" LG.
 - (1) 3" X 3" X 3/8" X 9 3/4" LG.
 - (2) 1" X 1 1/4" X 7 1/2" LG.
 - (1) 1/4" R X 5" X 8"

C6 X 13.75# X 48" LG.
LOCATE & CUT TO FIT
AT ASS'Y. (12) REQ'D.

NOTES:
1. DRILL (3) 7/16 DIA. HOLES IN SCOTELOWER CHANNEL (REAR SUPPORT) ON 28 1/4" CENTERS. START 1ST HOLE 2 1/8" FROM THE LEFT END, FACING THE BOILER.



Field Issued
Date: MAY 26 1987

ISSUED FOR CONSTRUCTION
AUTH. SIG. KLS DATE 5/26/87

TOLERANCES:
NORMAL ±
EXCEPT AS NOTED.
HOLE LOCATION DIMENSIONS MUST BE HELD TO ± 1/32
TOLERANCES MUST NOT BE ACCUMULATIVE.

HARFORD	P4805				
PROJ NAME	PROJ NO.	GRP	B/M	D/L	NEXT HIGHER ASSY

THIS DRAWING IS THE PROPERTY OF CONSUMAT SYSTEMS, INC., AND IS TO BE USED ONLY FOR PRODUCING ITEMS ON ORDER FOR CONSUMAT SYSTEMS, INC. SUBJECT TO RETURN UPON DEMAND AND IS NOT TO BE PRINTED, PHOTOCOPIED, REPRODUCED, LOANED OR USED IN ANY WAY WITHOUT WRITTEN PERMISSION OF CONSUMAT SYSTEMS, INC.

DR RHH
DATE 5-15-87
CHK
DATE
APP
APP

Consumat Systems, Inc.
RICHMOND, VIRGINIA U.S.A.

TITLE SOOT BLOWER SUPPORTS

SCALE
SIZE D
DWS NO. SK51487-2
REV

REV	REVISION	DATE	DR	CHK	APP	APP	DO NOT SCALE	REFERENCE	SHEET 1 OF 1
-----	----------	------	----	-----	-----	-----	--------------	-----------	--------------