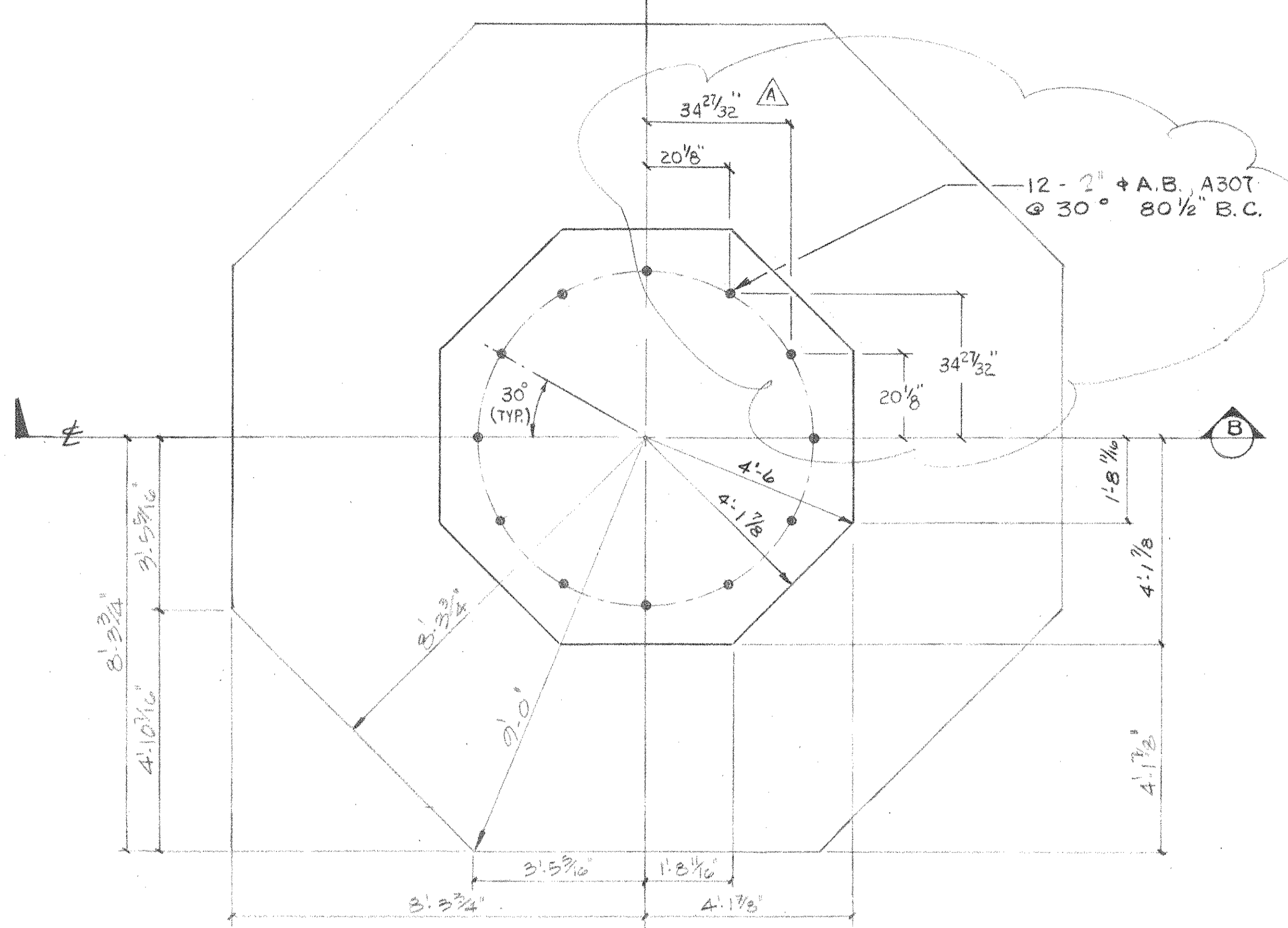
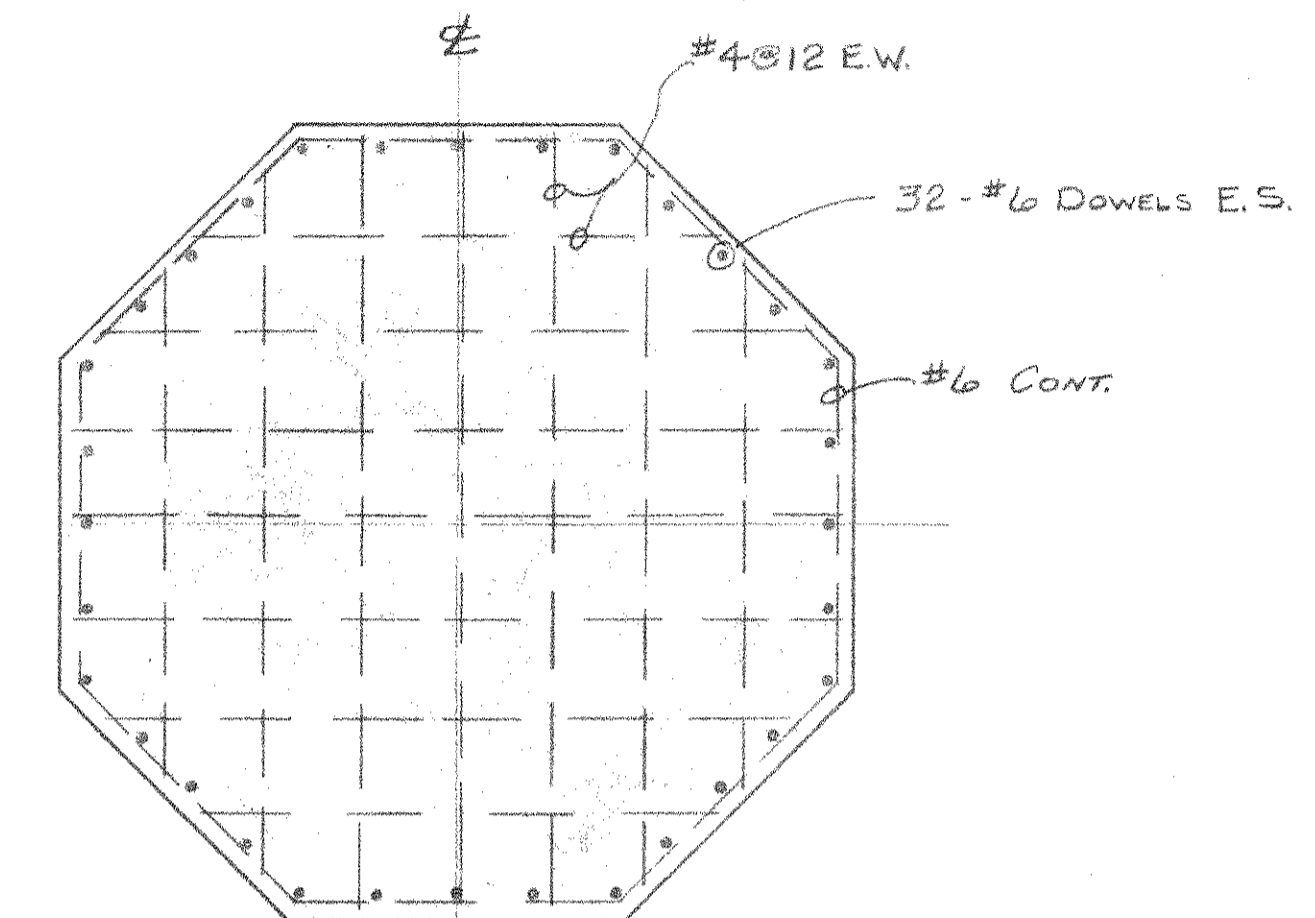


GROUP			PARTS LIST	
Q2	Q1	ITEM	PART	DESCRIPTION



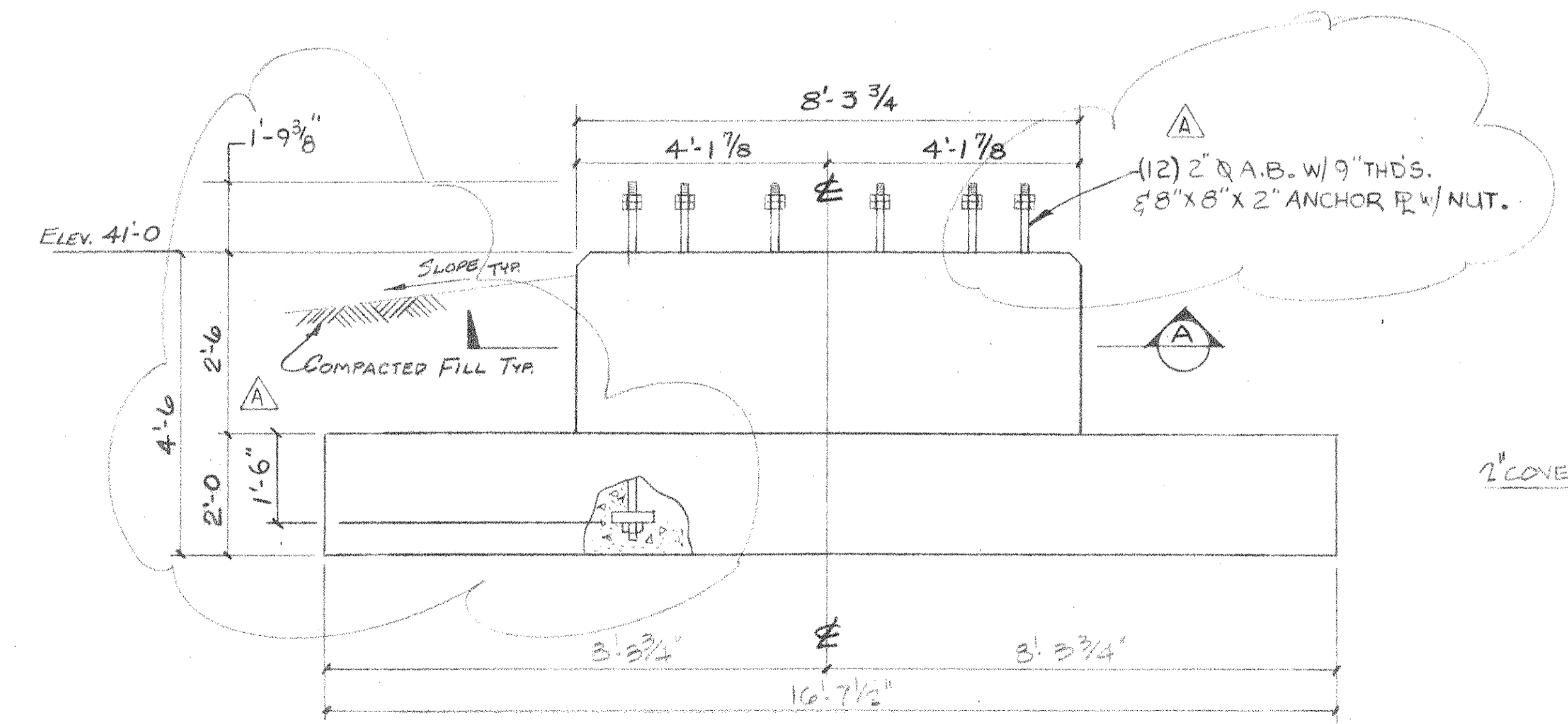
PLAN VIEW



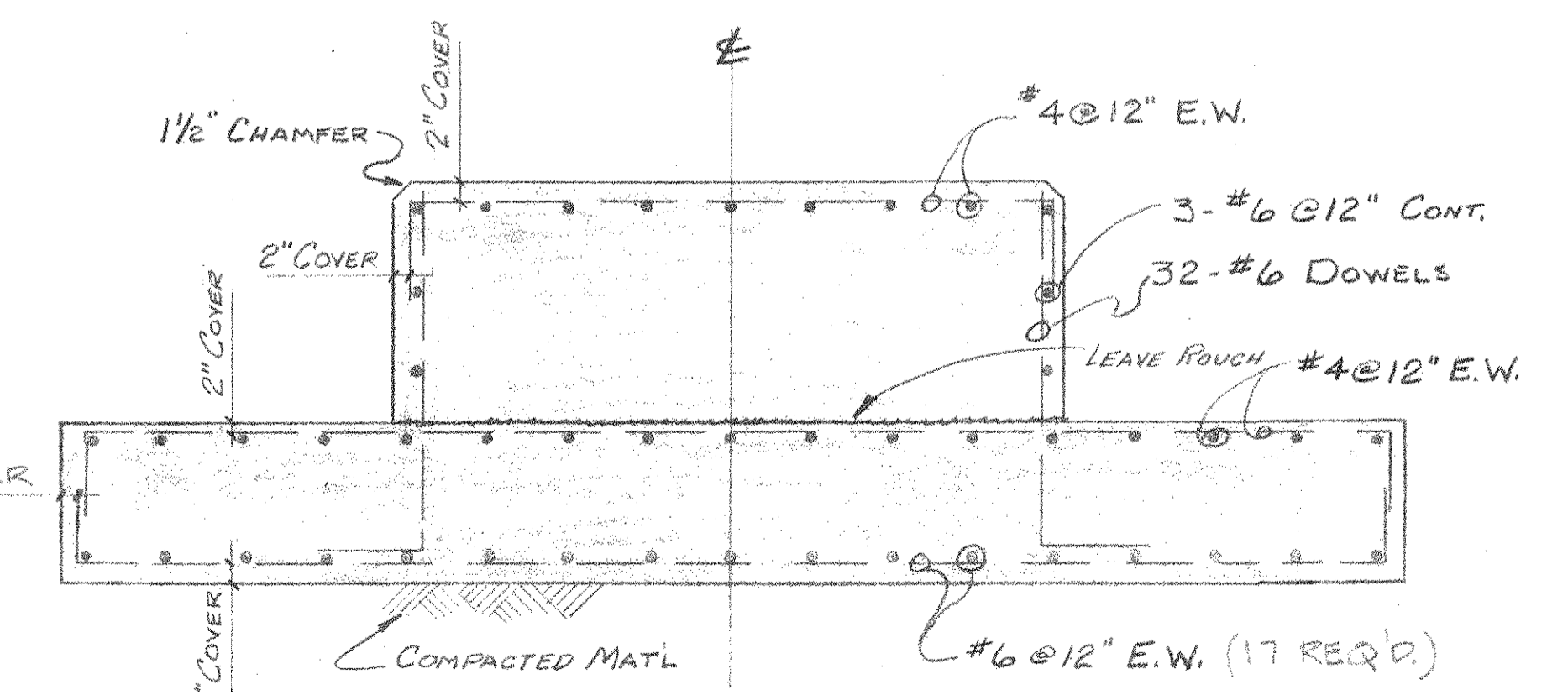
SECTION "A"

NOTES:

1. THE CONSTRUCTION OF CAST-IN-PLACE CONCRETE SHALL BE IN ACCORDANCE WITH THE BUILDING CODE REQUIREMENTS FOR REINFORCED CONCRETE (ACI-318) LATEST EDITION.
2. ALL REINFORCING STEEL SHALL BE FABRICATED IN ACCORDANCE WITH THE CONCRETE REINFORCING STEEL INSTITUTE (CRSI) MANUAL OF STANDARD PRACTICE, LATEST EDITION.
3. CONCRETE TO HAVE MINIMUM COMPRESSIVE STRENGTH OF 3500 PSI @ 28 DAYS, WITH MAXIMUM OF 3" SLUMP.
4. REINFORCING STEEL SHALL BE ASTM SPECIFICATION A-615 GRADE 60.
5. EXCAVATE TO THE REQUIRE DEPTH AS SHOWN ON THE PLANS OR UNTIL SUITABLE FOUNDATION MATERIAL IS REACHED. A MINIMUM BEARING CAPACITY OF 3000 PSF IS REQUIRED.
6. FOOTING SHALL BE POURED IN THE DRY, ON UNDISTURBED SOIL OR COMPACTED SB-2, WHICH SHALL BE PLACE IN LIFTS OF 8" MAX. & COMPACTED TO 95% OF THE MAX LABORATORY DENSITY AS DETERMINED BY ASTM D-1557.
7. ALL BACKFILL SHALL BE COMPACTED TO 90%.
8. SEE CONSUMAT DRAWING D-04C-0089 REV. 9 FOR LOCATION.



ELEVATION



SECTION "B"

CSI PROCESS SPEC	NUMBER	GROUP	B/M	D/L	NEXT HIGHER ASSY

STACK FOUNDATION

Consumat Systems, Inc.
RICHMOND, VIRGINIA U.S.A.

SCALE 1/2"=1'-0"	DRAWN ALH	DRAWING NO.
DATE 3-17-87	CHK	7424-0089-3301-001
DO NOT SCALE	APPR.	SHEET 1 OF 1

THIS DRAWING IS THE PROPERTY OF CONSUMAT SYSTEMS INC. AND IS TO BE USED ONLY FOR PRODUCING ITEMS ON ORDER FOR CONSUMAT SYSTEMS INC. SUBJECT TO RETURN UPON DEMAND AND IS NOT TO BE PRINTED, PHOTOGRAPHED, COPIED, REPRODUCED, LOANED OR USED IN ANY WAY WITHOUT WRITTEN PERMISSION OF CONSUMAT SYSTEMS INC.

NO.	REVISION	DATE	BY
A	RELOCATE ANCHORS 5' CHG. LENGTH	5-11-87	RWH