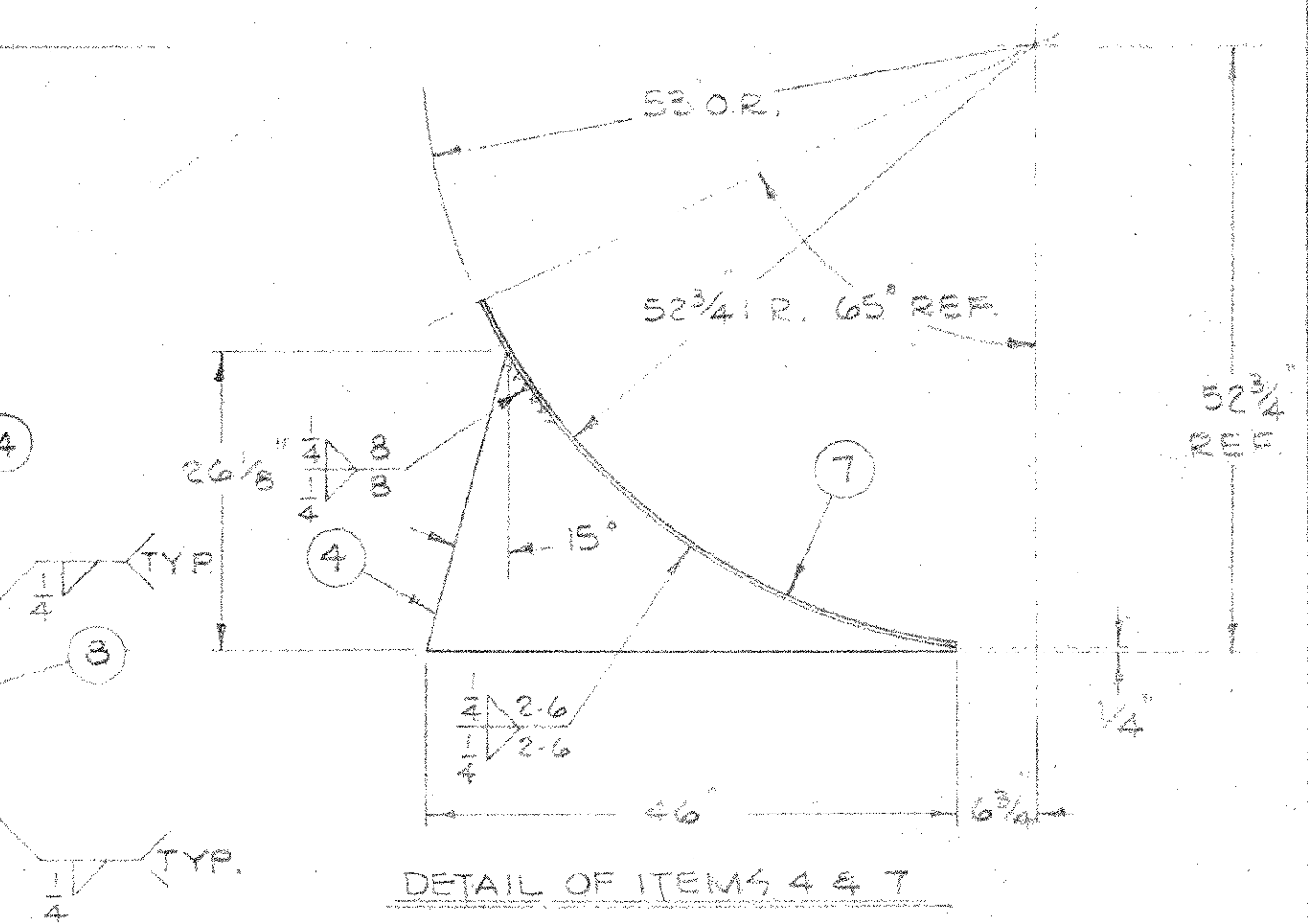


GROUP			PARTS LIST	
02	01	ITEM	PART	DESCRIPTION
-	1	2	△	1/4 R x 122 1/2 x 330 5/8
1	-	3	△	1/4 R x 74 1/2 x 330 5/8
4	4	4		1/4 R x 26 7/8 x 46
12	12	5		1/4 x 3/4 F.B. x 2
1	1	6		1/4 x 3 F.B. x 33 5/8
4	4	7		1/4 x 8 F.B. x 53 1/8
4	4	8		1/4 x 10 F.B. x 53 1/4
4	4	9		3/8 x 6 F.B. x 27
2	2	10	△	W10 x 22 1/2 x 105 1/2
2	2	11		X RING - 3 x 3 1/2 x 105 1/2 D - (64)
1	1	12		3/4" DIA. HOLES ON 10 3/8" C.
55Ft.	55Ft.	13		X RING - 1 1/2 x 1 1/2 x 105 1/2 D - (64)
12	12	14	△	(12) 3/8 DIA. HOLES ON 10 1/2" C.
12	12	15		1" KAOWOOL ROPE INSULATION
12	12	16		1/4 - 20 x 1 1/2 HEX. BOLT
12	12	17		1/4 - 20 HEX. NUT
12	12	18		1/4 FLAT STL WASHER
12	12	19		3/8 - 16 x 1 1/2 HEX. BOLT
12	12	20		3/8 - 16 HEX. NUT
1	1	21	△	3/8 x 3/4 F.B. x 33 3/8
160Ft.	274Ft.	22	△	3" INSBLOCK-19 INSULATION
160Ft.	262Ft.	23	△	1" DURABOARD LD INSULATION
551	899	24	△	9 x 6 x 4 (84-96) R.K.B.
95	155	25	△	9 x 6 x 4 (90-102) R.K.B.
4	4	26	△	3/8 x 10 F.B. x 14
4	4	26	△	A-228-0360 POI LIFT LUG - B/P - 65

- NOTES:
- 1 WELD KEAM ON BOTTOM - GRIND WELD UNDER SLIP FLANGE ONLY - 10' LENGTH
  - 2 ITEMS 11 & 12 ARE NOT WELDED TO SHELL
  - 3 28.045" ON O.D. OF SHELL
  - 4 ROLL ITEM 20 TO 52 13/16 INSIDE - DO NOT WELD
  - 5 ROTARY BRICK REQ'D TO TURN ONE CIRCLE, ITEM 23 - 9x6x4 (84-96) - 29 REQ'D, ITEM 24 - 9x6x4 (90-102) - 5 REQ'D.
  - 6 ROLL ITEM 25 TO FIT ITEMS 2 & 3



GO1 - APPROX. WEIGHT 25,000 LB.  
GO2 - APPROX. WEIGHT 16,000 LB.

WARRANTY CD	P-4305	02	4546	3759
		01	4545	3759
CSI PROCESS SPEC	NUMBER	GROUP	B/M	D/L
				NEXT HIGHER ASSY

GROUP	"A"	"B"
01	122 3/4	81
02	74 3/4	33

NO.	REVISION	DATE	BY
E	REV. 23 - 1/16 x 1/4 (84-60) R.B. (84-176) (460-11) REF. 9-22-86		RJA
D	ITEMS 25 & 26 - DIMS. NOTE 6 ADD. 09-18-86		
C	ITEM 10 W10-22 1/2 (NORMAL HT. 10 3/8) MEASURED 10 3/8 AS RECEIVED FROM SUPPLIER. REMOVED ITEM 1 1/8 SPACER, FOR A 6 3/8 @ HT. 6 3/8 WAS 6 5/8	09-08-86	COTT
B	ADD REFRACTORY	08-26-86	COTT
A	ITEM 20 & 1/4" GAP ADDED TO DETAIL A. ITEM 14 INCREASED TO 1 1/2 - ITEM 8 WAS 12 1/2 - ITEM 3 WAS 15 3/8 - DIMS. A & B SUPPLEMENTED	8-13-8	

STRAIGHT SECTION - HOT GAS DUCT

CS-3000E

Consumat Systems, Inc.  
RICHMOND, VIRGINIA U.S.A.

SCALE 3/4" = 1'-0" DRAWN P.F.G. DATE 8-11-86 CHK D-26P-0021 SHEET 06 REV.

THIS DRAWING IS THE PROPERTY OF CONSUMAT SYSTEMS INC. AND IS TO BE USED ONLY FOR PRODUCING ITEMS ON ORDER FOR CONSUMAT SYSTEMS INC. SUBJECT TO RETURN UPON DEMAND AND IS NOT TO BE PRINTED, PHOTOGRAPHED, COPIED, REPRODUCED, LOANED OR USED IN ANY WAY WITHOUT WRITTEN PERMISSION OF CONSUMAT SYSTEMS INC.