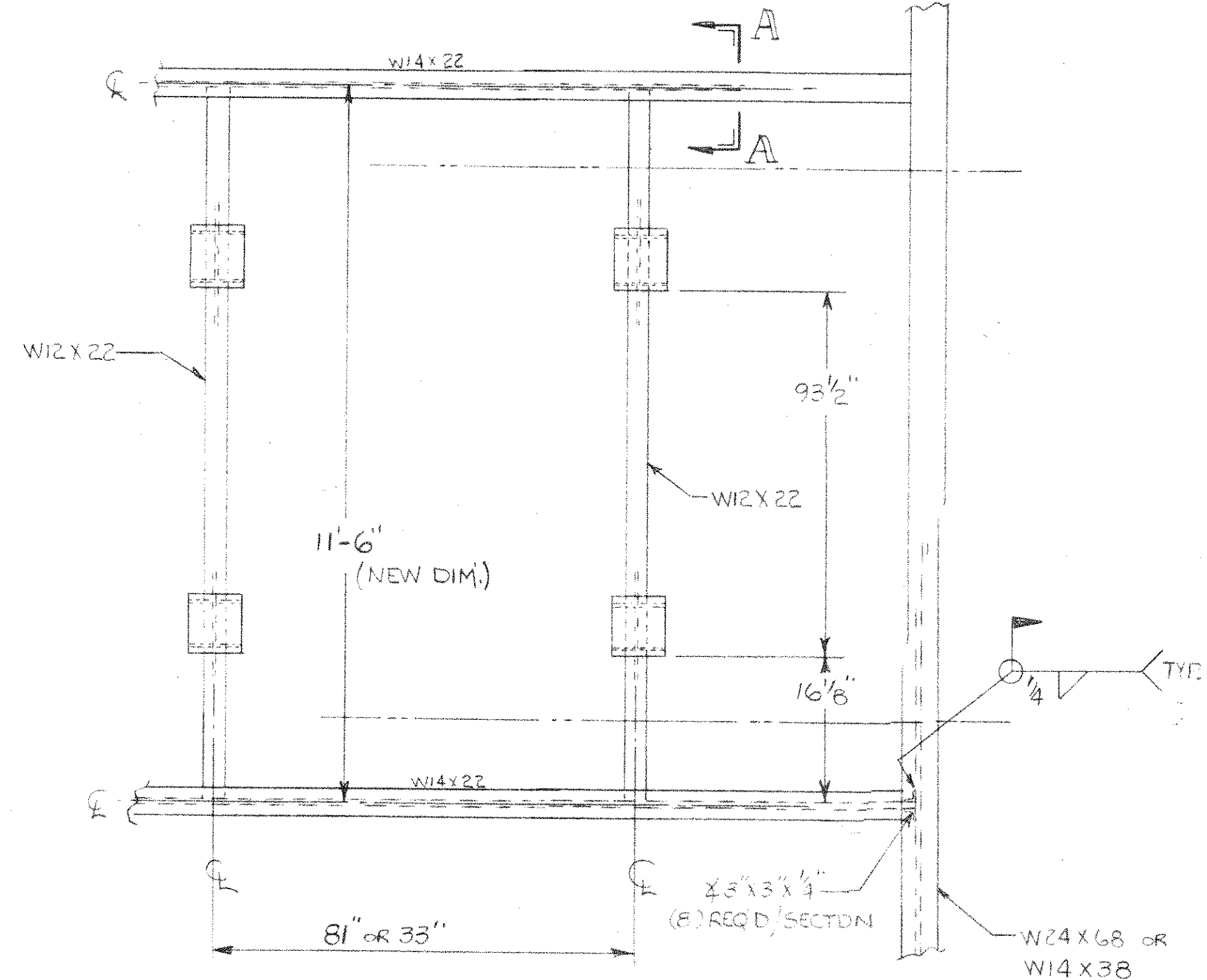


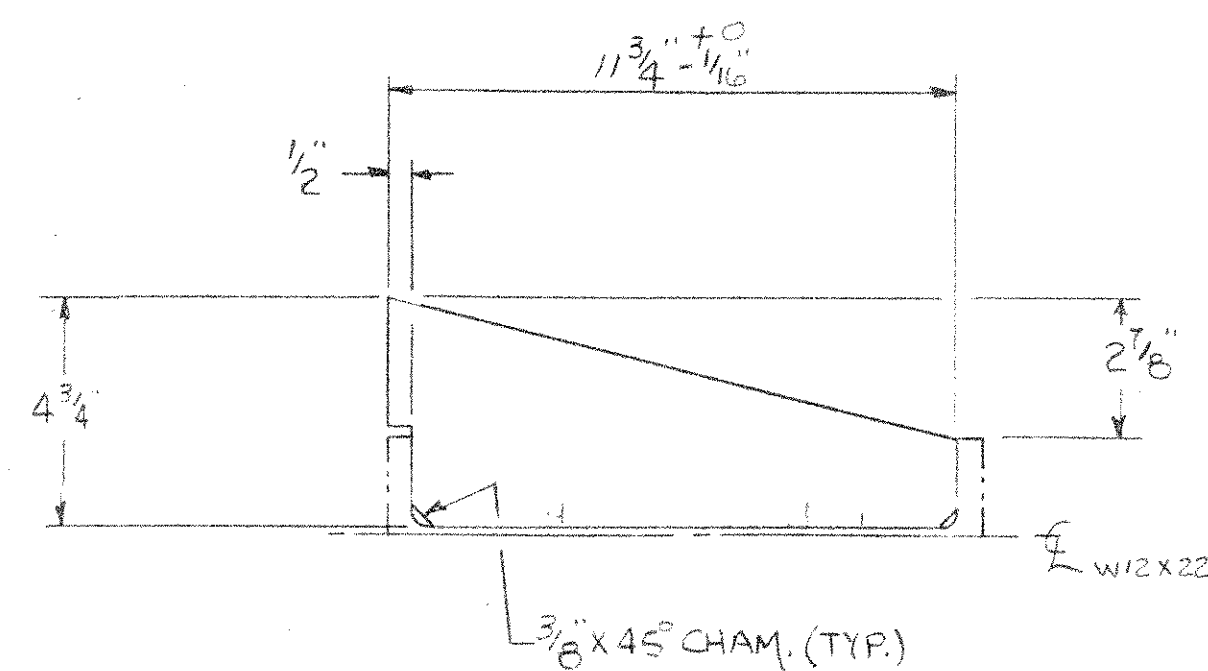
GROUP		PARTS LIST		
02	01	ITEM	PART	DESCRIPTION

NOTES:

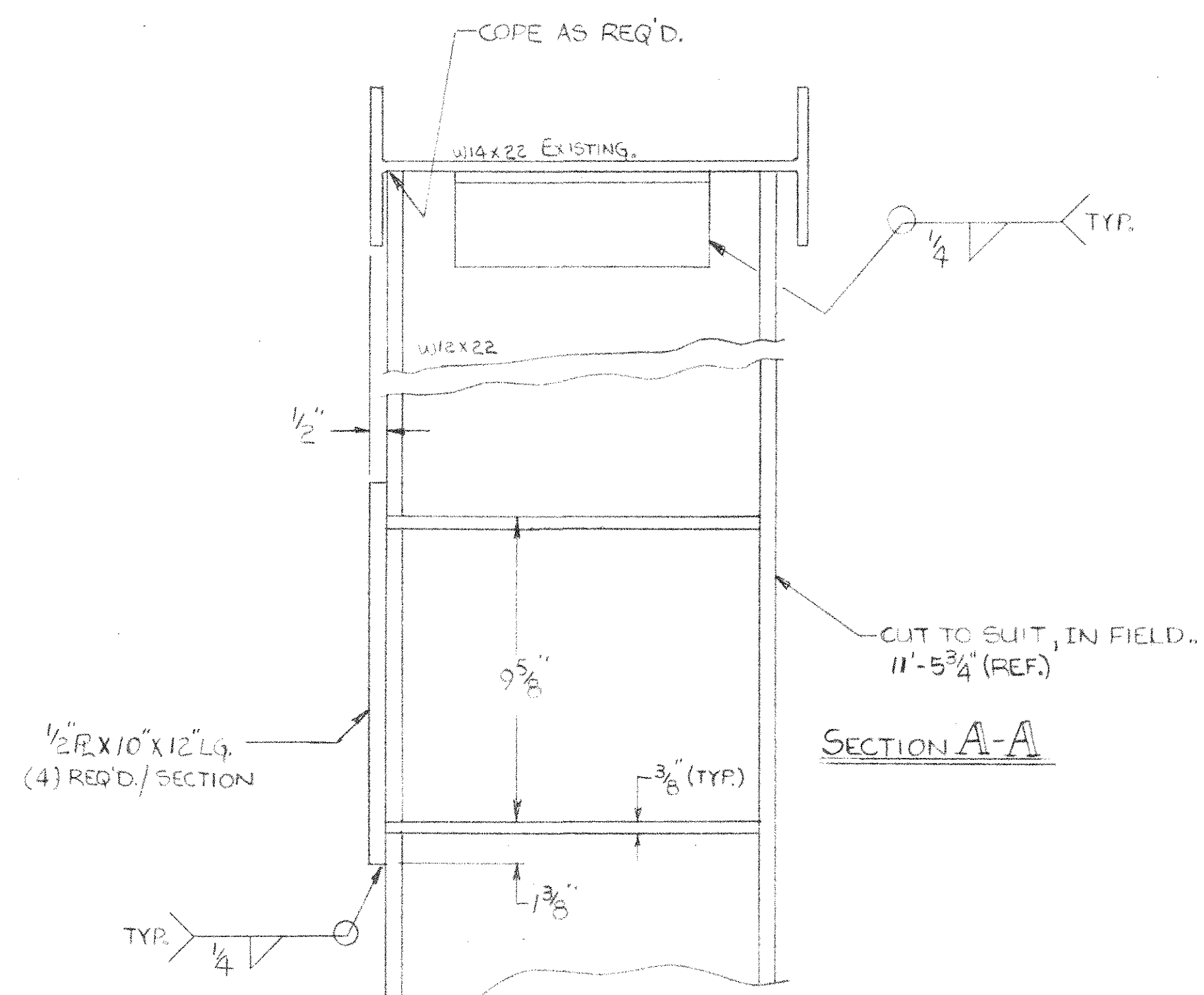
1) CARE MUST BE TAKEN WHEN MOVING THE W14X22 BEAMS, NOT TO DISTURB THE MAIN BEAMS (W24X68, W14X38).



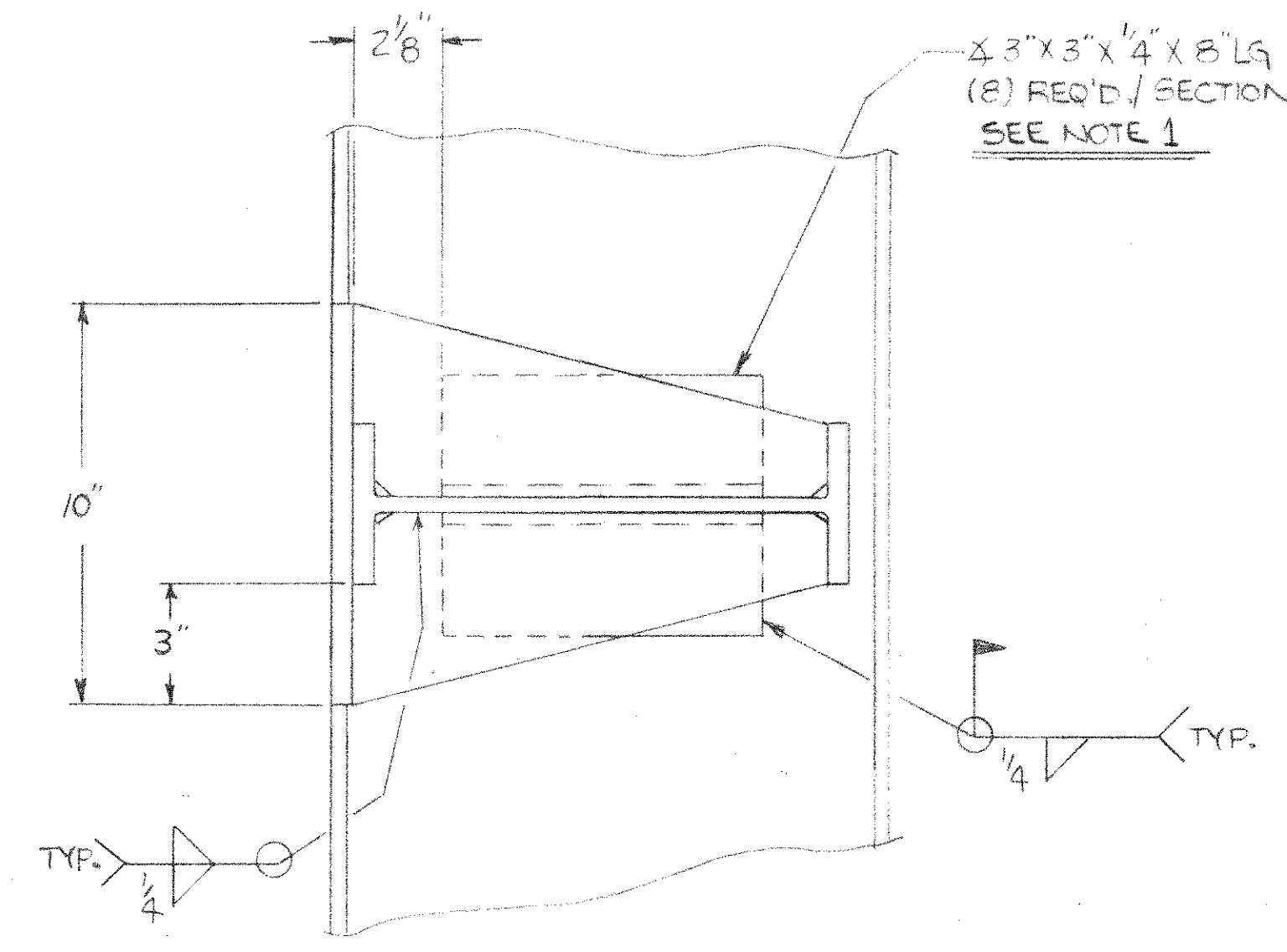
PLAN VIEW



GUSSET
(16) REQ'D/SECTION



SECTION A-A



3" x 3" x 1/4" x 8" Lg
(8) REQ'D/SECTION
SEE NOTE 1

ISSUED FOR CONSTRUCTION

AUTH: *KES* DATE: 5/12/87

TOLERANCES:
NORMAL =
EXCEPT AS NOTED.
HOLE LOCATION
DIMENSIONS MUST
BE HELD TO ±

HARFORD	P4805	01				
PROJ NAME	PROJ NO.	GRP.	B/M	D/L	NEXT HIGHER ASSY	

THIS DRAWING IS THE PROPERTY OF CONSUMAT SYSTEMS, INC., AND IS TO BE USED ONLY FOR PRODUCING ITEMS ON ORDER FOR CONSUMAT SYSTEMS, INC. SUBJECT TO RETURN UPON DEMAND AND IS NOT TO BE PRINTED, PHOTOGRAPHED, COPIED, REPRODUCED, LOANED OR USED IN ANY WAY WITHOUT WRITTEN PERMISSION OF CONSUMAT SYSTEMS, INC.

DR	RHH	TITLE	STRUCTURAL RENOV
DATE	5-12-87		
CHK		TITLE	ISOLATION GATE
DATE			
APP			
APP		SCALE	1/2" = 1'-0"
		SIZE	DWG NO.
			44-0227
		REFERENCE	SHEET 1 OF 1

Field Issued
Date: MAY 14 1987

REV	REVISION	DATE	DR	CHK	APP	APP	DO NOT SCALE
-----	----------	------	----	-----	-----	-----	--------------