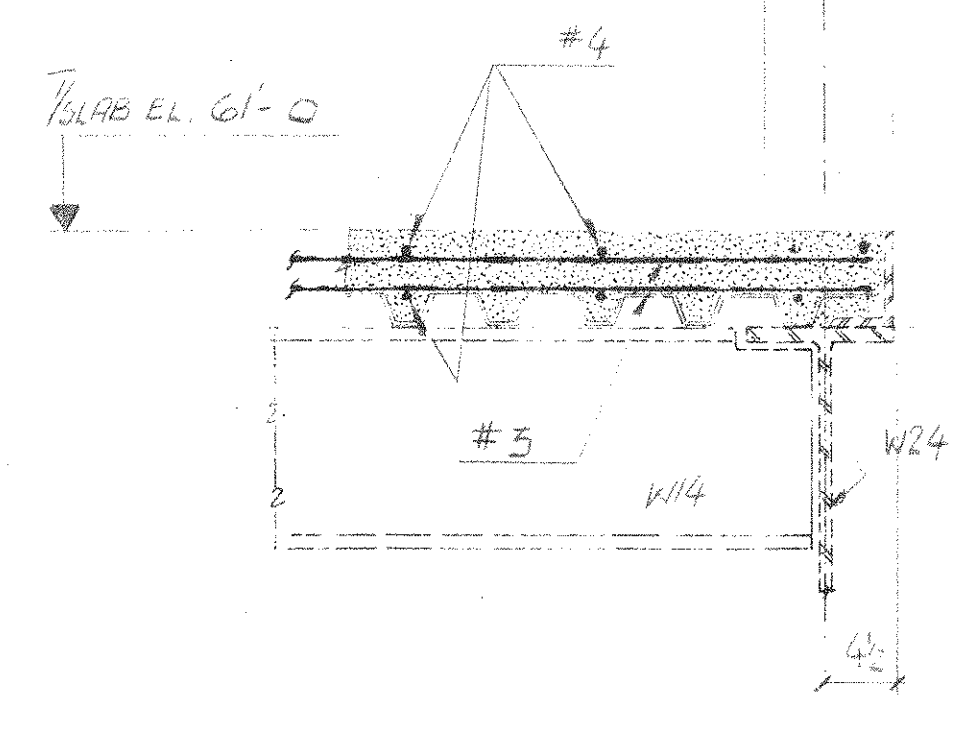


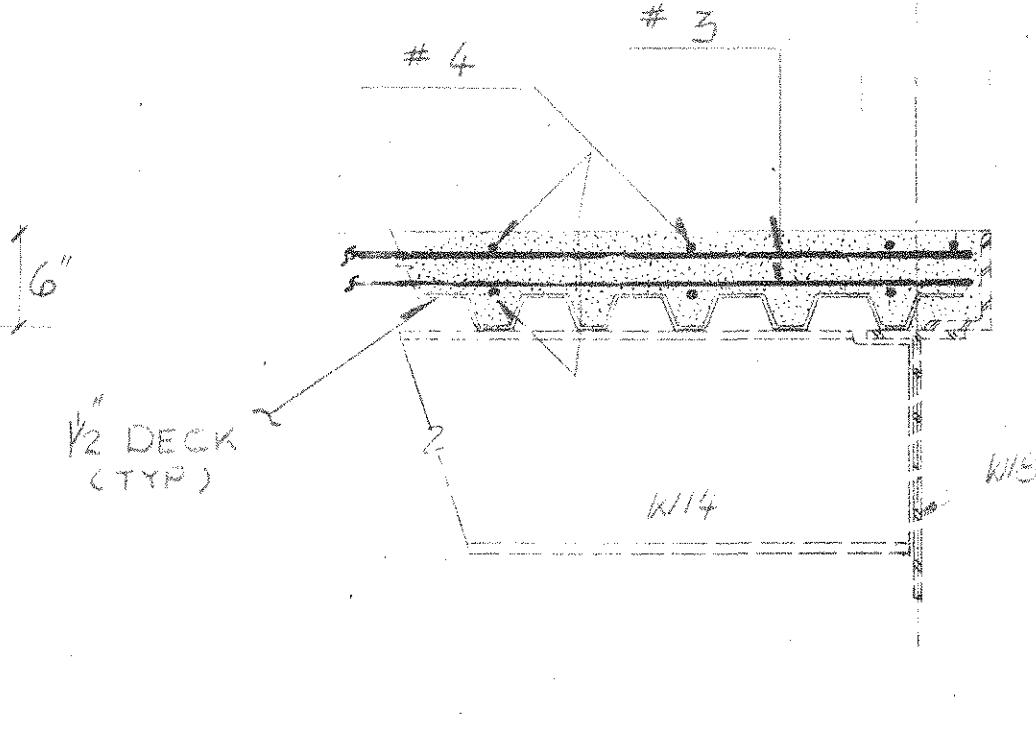
SLAB PLAN EL 61'-0  
SLAB 6\"/>

NOTE:  
SPlice TOP BARS AT MID SPAN  
SPlice BOT. BARS AT SUPPORT

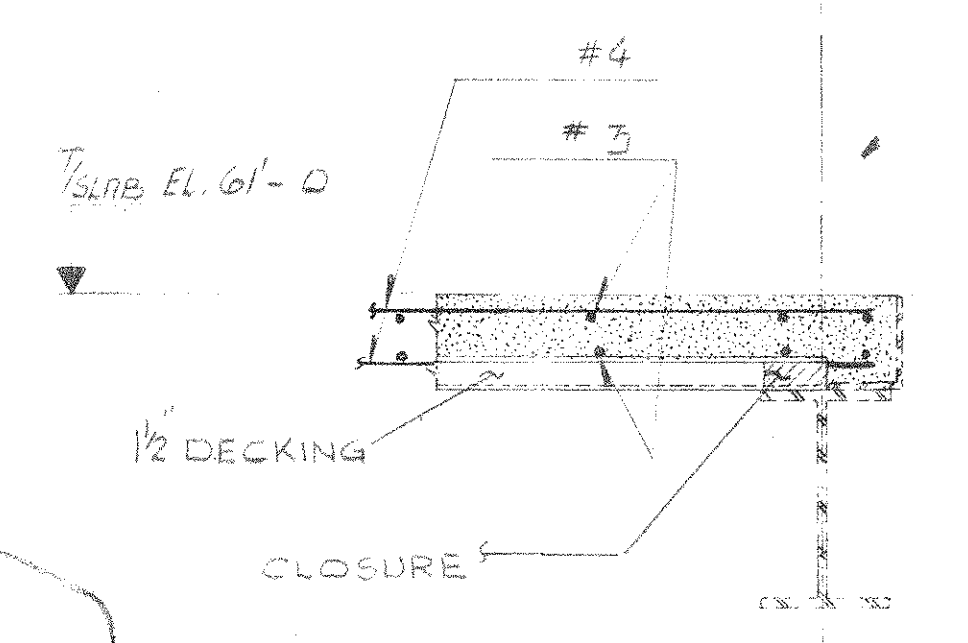
NOTE:  
THIS DWG. TO BE READ  
IN CONJUNCTION WITH  
DWG. N° 43DI-004  
44DI-005



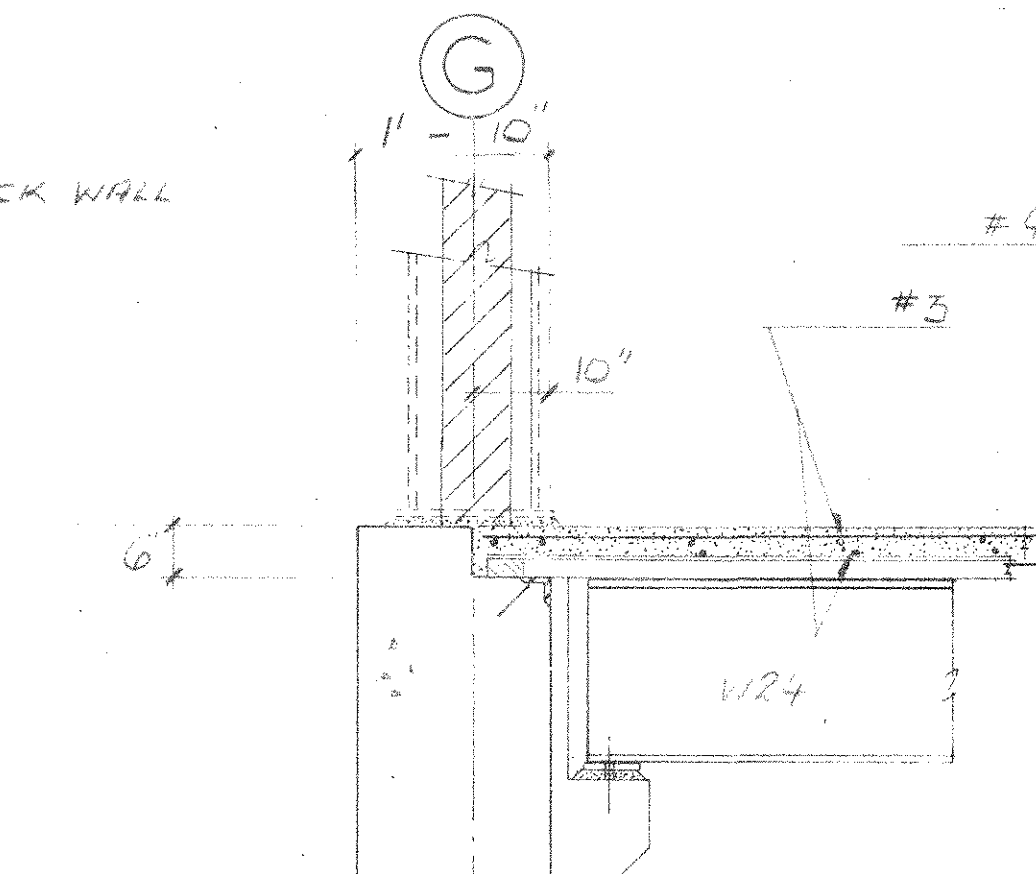
SECTION 1



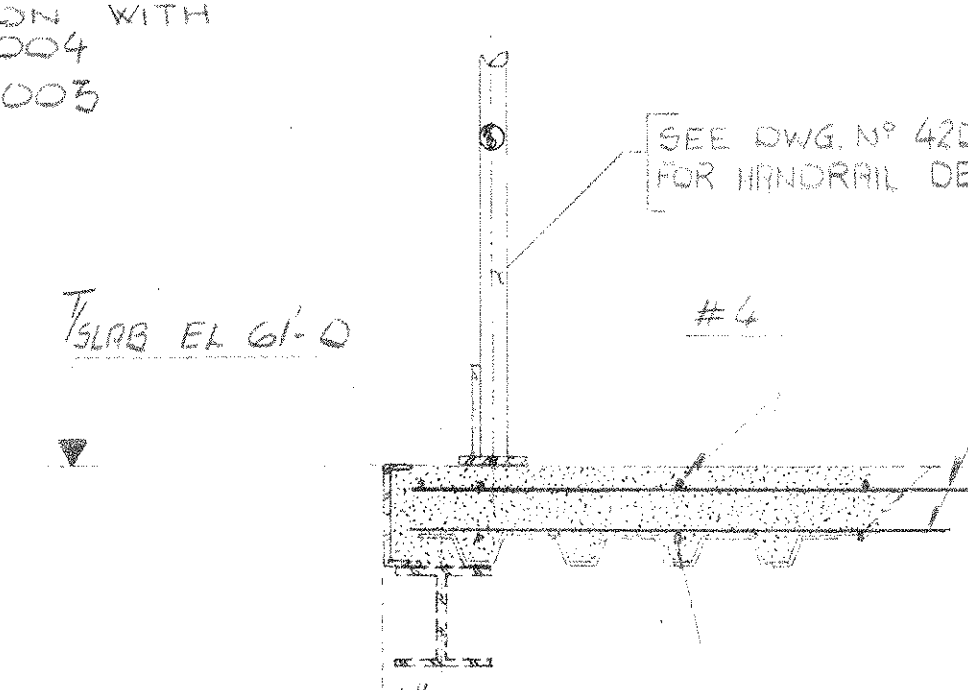
SECTION 2



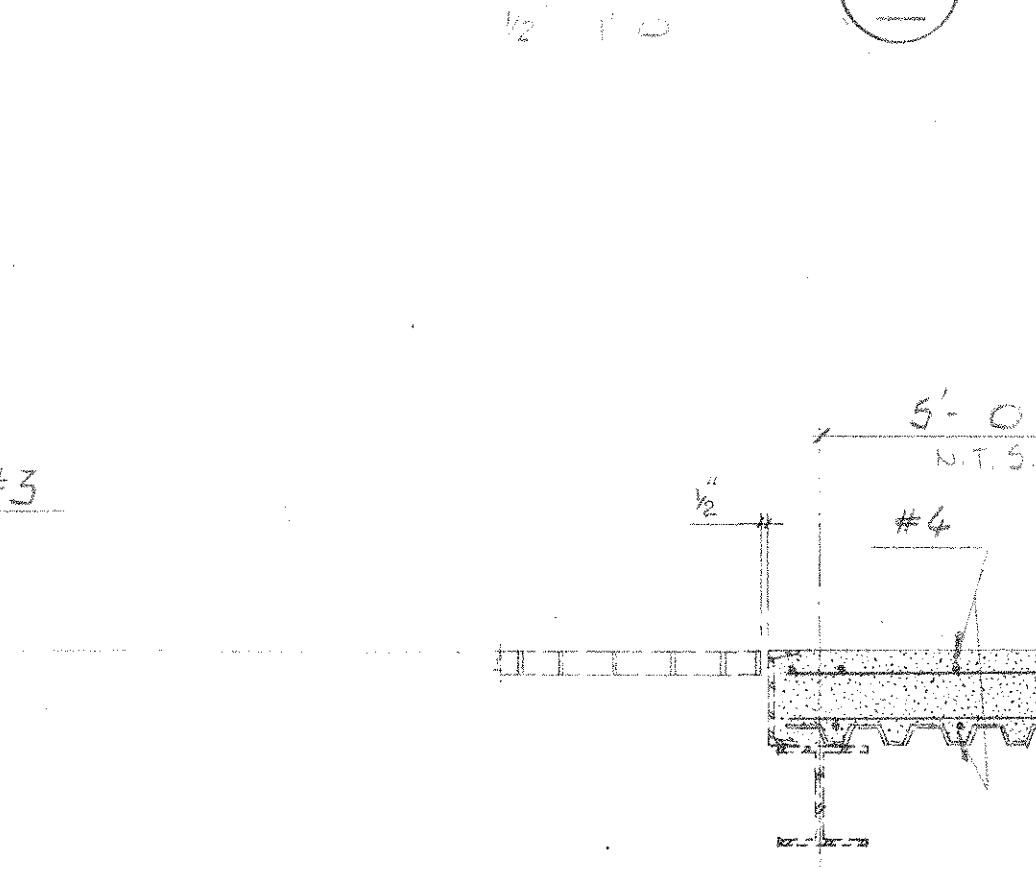
SECTION 3



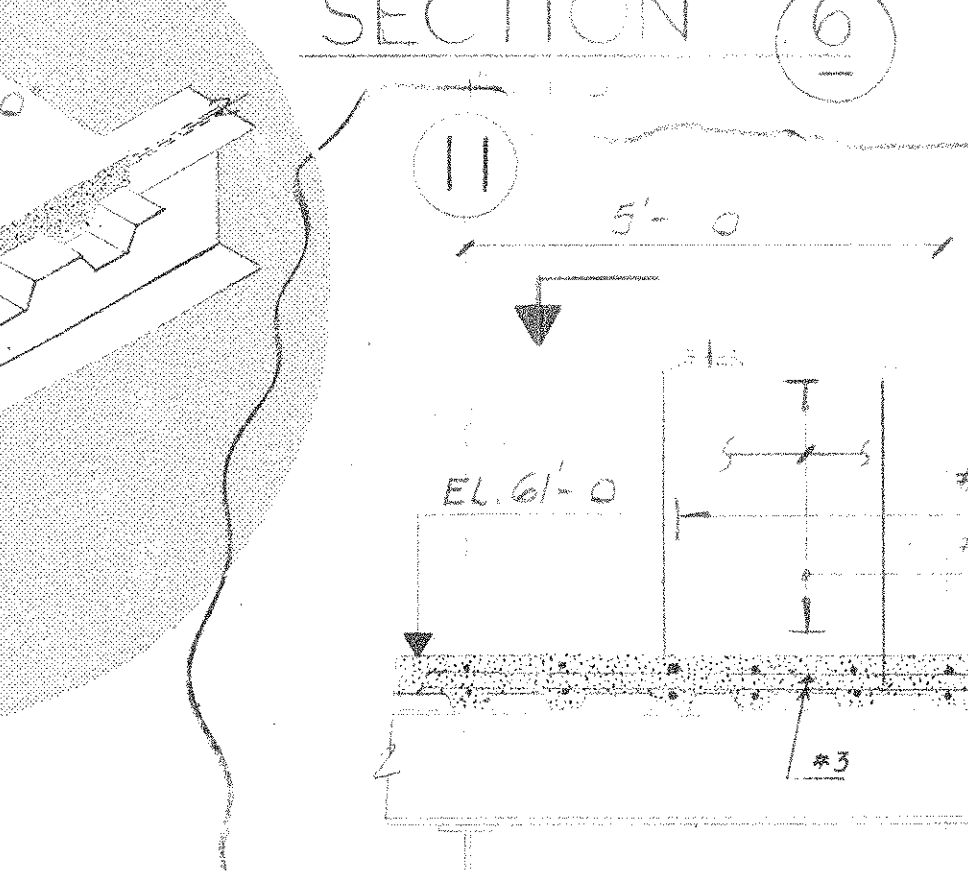
SECTION 4



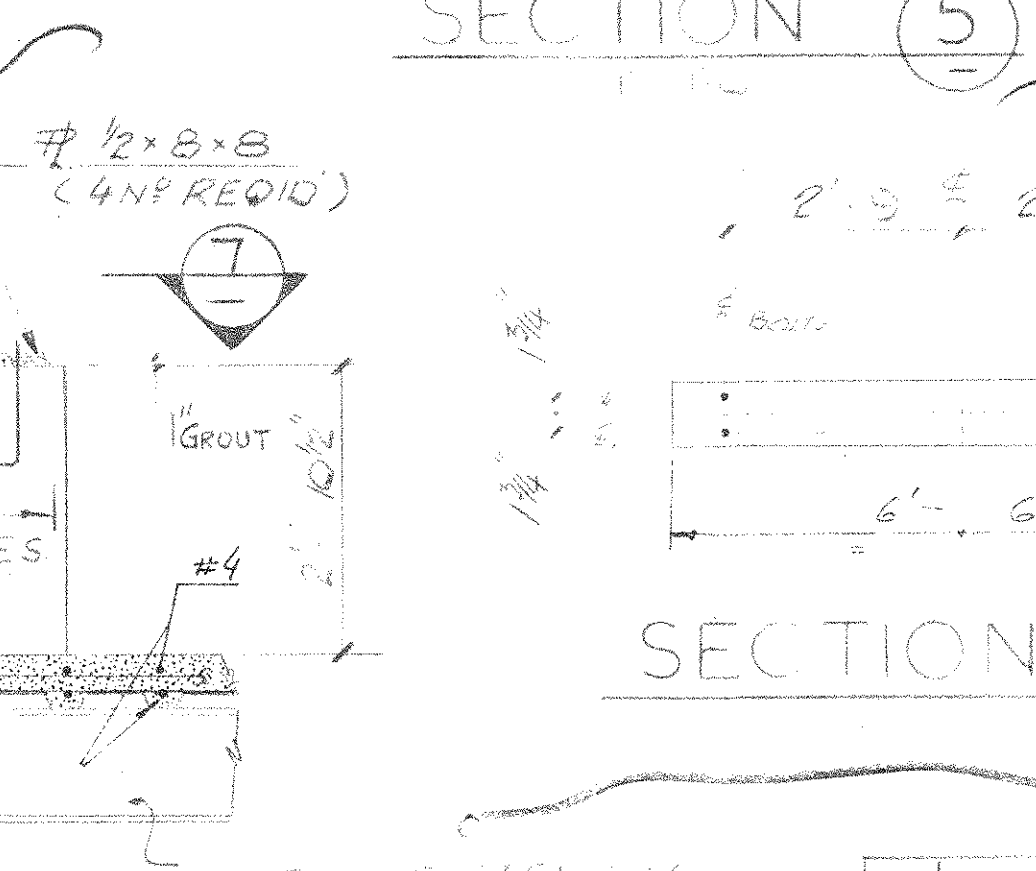
SECTION 6



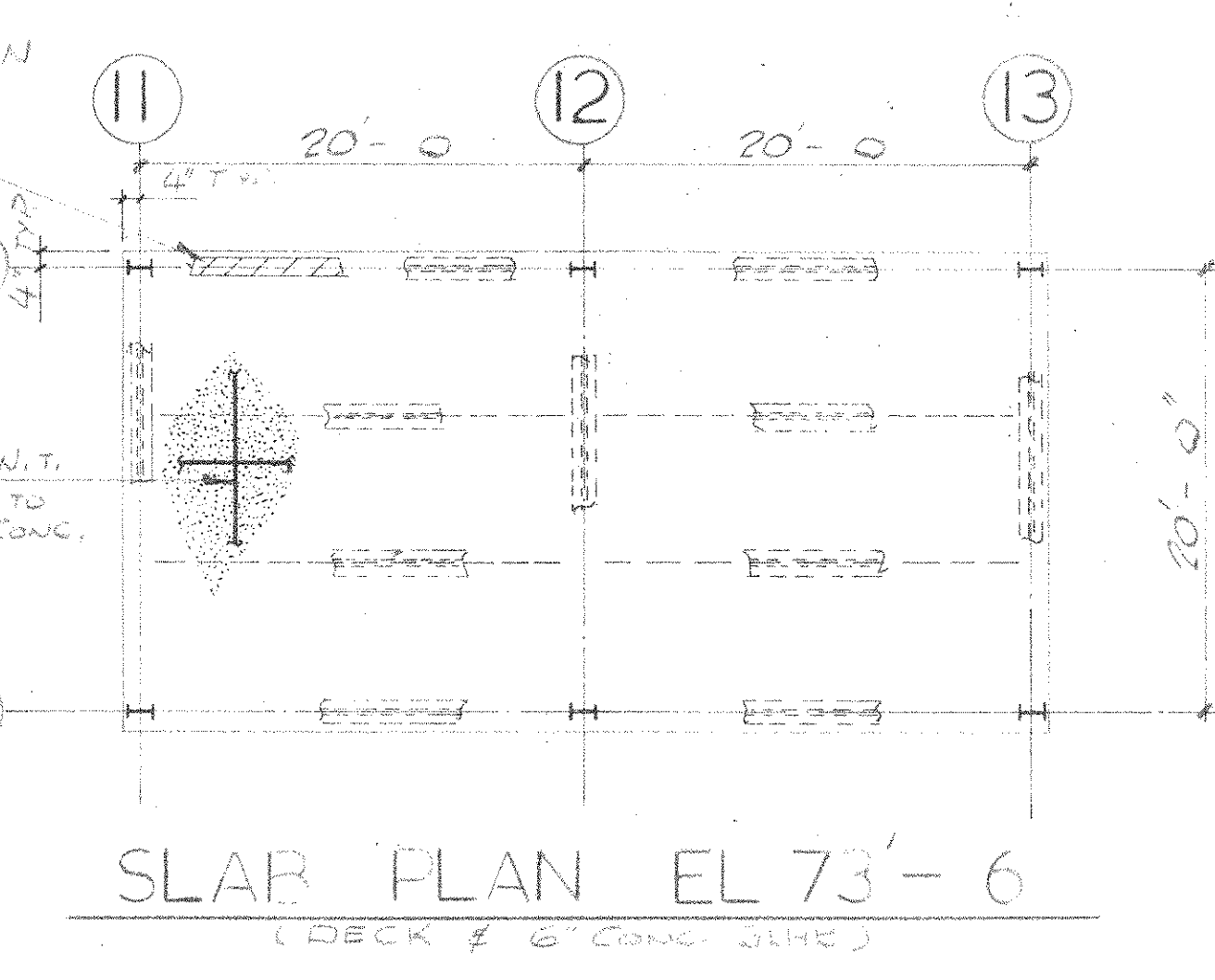
SECTION 5



SECTION 8



SECTION 7



SLAB PLAN EL 73'-6  
(DECK # 6\"/>

GENERAL NOTES - REINFORCEMENT  
Concrete shall develop a minimum compressive strength of 4000 psi in 28 days.  
Requirements for fabrication and placement of reinforcement and concrete, etc. shall be in accordance with the "Building Code Requirements for Reinforced Concrete" ACI-318 (Latest Revision).  
Reinforcing steel shall be deformed hard grade bars or wire steel conforming to ASTM specification A-615, Grade 60.  
All splices for reinforcing steel shall be made with lap splice with length shown in the following schedule unless noted.

Bar size	Splice length (in)	
	Top Bars	Other Bars
#3	16	12
#4	22	16
#5	27	20
#6	33	23
#7	38	27
#8	45	32
#9	54	40

Inspection and testing of concrete shall be in accordance with ACI Standard 301-72.

All exposed concrete edges shall have a 1-1/2\"/>

Mesh shall be welded wire fabric in accordance with ASTM A-185.

Where new concrete is poured over existing concrete, the existing concrete surface shall be roughened and thoroughly cleaned prior to pouring new concrete.

Concrete cover shall be as per ACI 318 - except cover on inside face of tipping room and ash bin walls shall be 3-1/2\"/>

Stripping of forms shall comply with ACI 347.

A layer of clean gravel covered with an impermeable membrane (such as visqueen) shall be placed beneath all grade slabs to provide a vapor barrier and permit lateral drainage beneath the slab.

FLOOR FINISHES

- Provide 3/4\"/>
- For remainder of tipping floor provide emery plate shake floor hardener applied at 1-1/2 lbs per ft<sup>2</sup>, smooth hard steel trowel finish.
- For floor hardener and finish in other areas, see specification.

2	ORIGINAL TRANSFERRED TO C.S.I.	NOV 19/86	K.L.
1	SUSPENDED SLAB DETAILS ADDED. FLOOR FINISH NOTES ADDED.	07/87	K
0	NOTES RELEASED FOR CONSTRUCTION	JULY 07/88	
18	REVISION	DATE	BY

W.P. LONDON AND ASSOCIATES LIMITED  
CONSULTING ENGINEERS  
NIAGARA FALLS

HARFORD COUNTY RESOURCE RECOVERY FACILITY - HARFORD COUNTY, MARYLAND

SUSPENDED SLAB AND NOTES

Consumat Systems, Inc.  
RICHMOND, VIRGINIA U.S.A.

SCALE: AS SHOWN DRAWN BY: KARRER DATE: 07/86 CHK: SLS DATE: 07/86 APPR: [Signature] SHEET: 005 OF 005