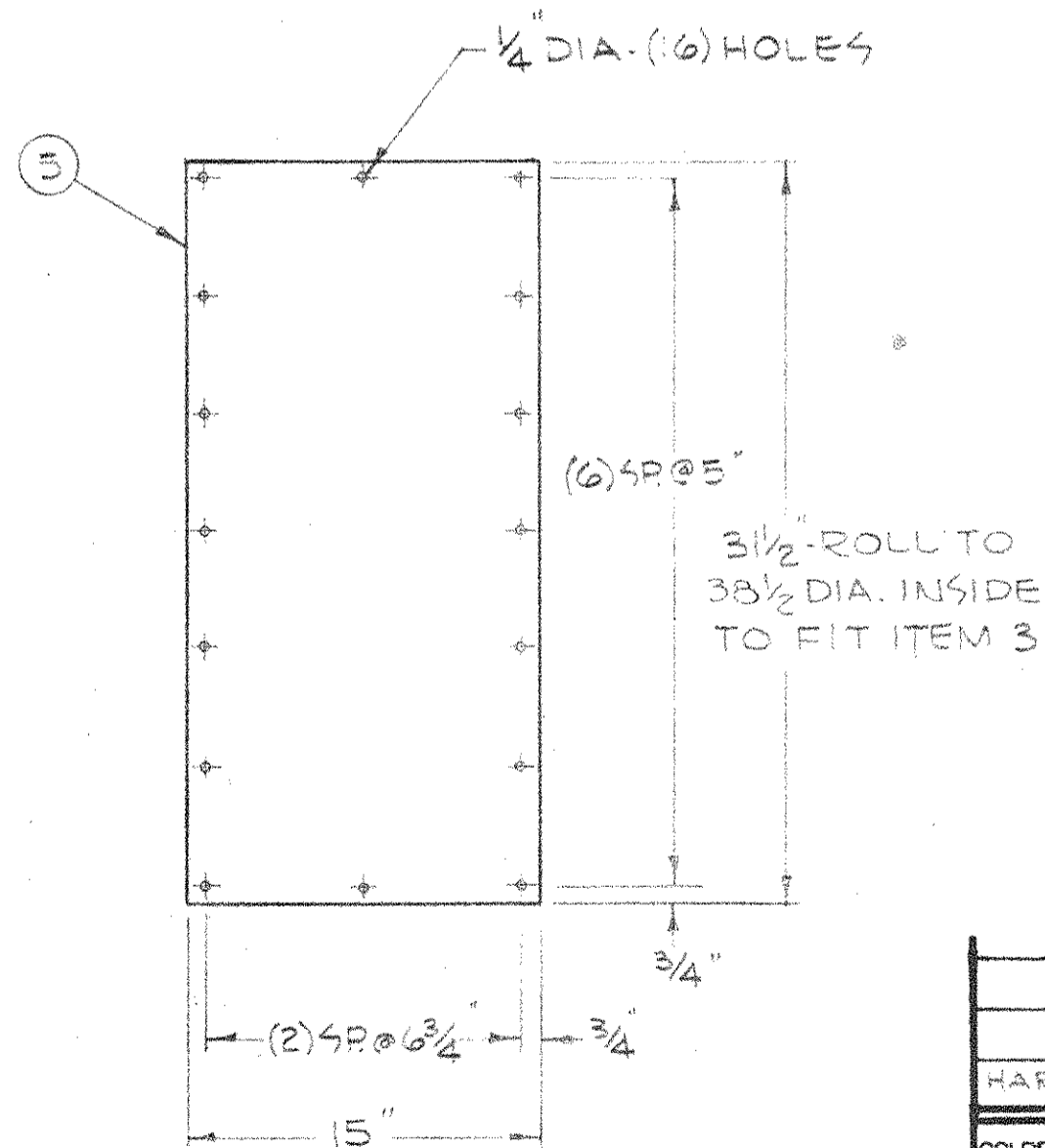
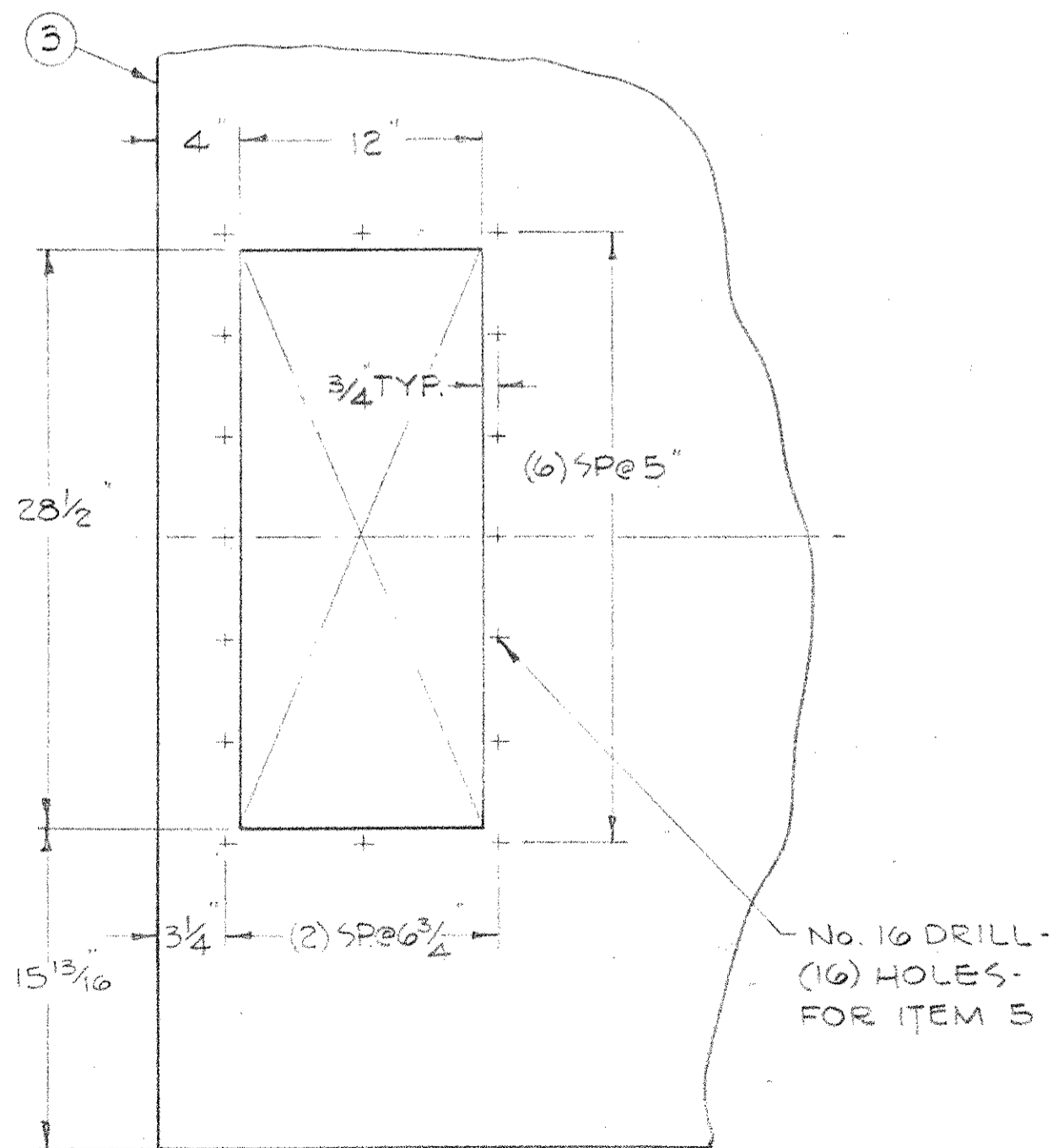
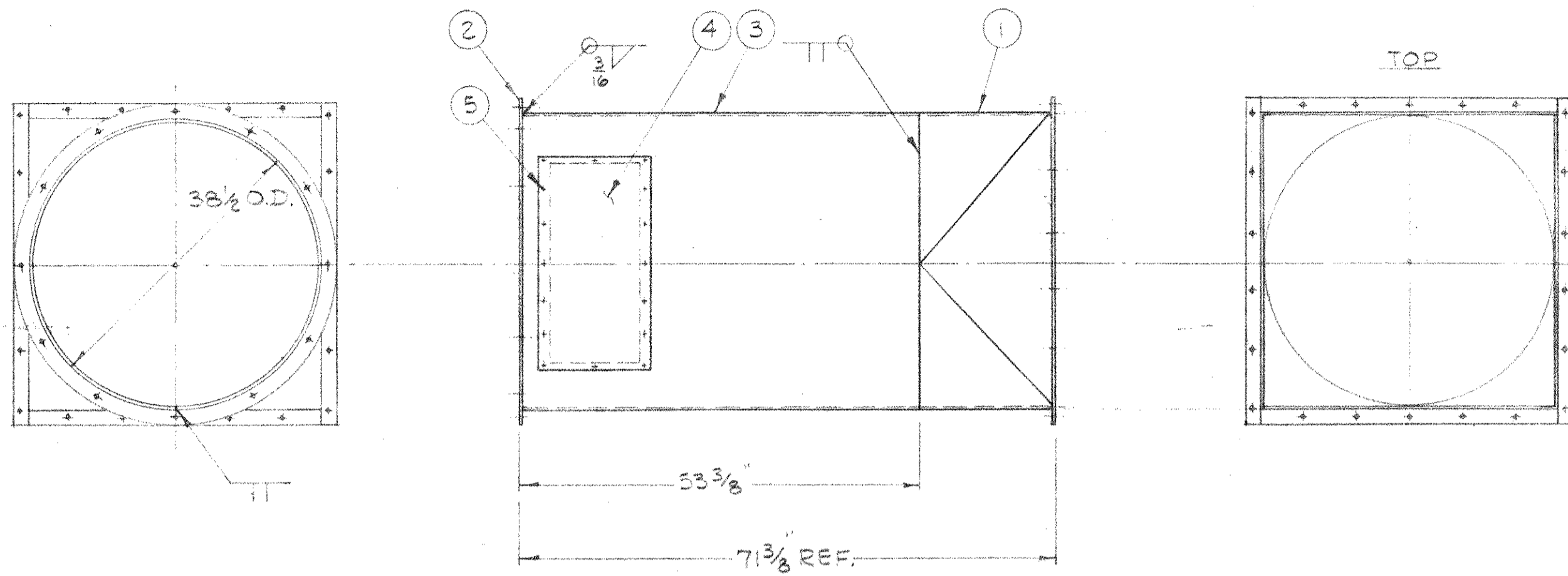


GROUP		PARTS LIST		
O2	O1	ITEM	PART	DESCRIPTION
1	1	C24F-0017 GO		TRANSITION-T/C FAN SIZE 365
1	2	B24J-0017 PO		RING FLANGE
1	3			12 GA. X 53 3/8 X 120 1/2
1	4			12 GA. X 15 X 3 1/2
16	5			10-32 X 3/8 PAN HEAD-TYPE F SELF TAPPING SCREW



PARTIAL VIEW SHOWING INSPECTION
OPENING. ROLL TO 38 1/2" DIA. OUTSIDE
SCALE - 1/2" = 1'-0"

THIS DRAWING IS THE PROPERTY OF CONSUMAT SYSTEMS INC., AND IS TO BE USED ONLY FOR PRODUCING ITEMS ON ORDER FOR CONSUMAT SYSTEMS INC. SUBJECT TO RETURN UPON DEMAND AND IS NOT TO BE PRINTED, PHOTOGRAPHED, COPIED, REPRODUCED, LOANED OR USED IN ANY WAY WITHOUT WRITTEN PERMISSION OF CONSUMAT SYSTEMS INC.

HARFORD CO.	4805	O1	4604	3797
CSI PROCESS SPEC	NUMBER	GROUP	B/M	D/L
				NEXT HIGHER ASSY

TRANSITION SECTION-VERTICAL DUCT
L/C SHROUD DUCT
T/C FAN-SIZE 365

Consumat Systems, Inc.
RICHMOND, VIRGINIA U.S.A.

SCALE 3/4" = 1'-0"	DRAWN EASy	DRAWING NO.
DATE 9-15-86	CHK. ZRW 9/16/86	C-24-0195
DO NOT SCALE	APPR.	SHEET OF
NO.	REVISION	DATE
		BY

