

4

3

2

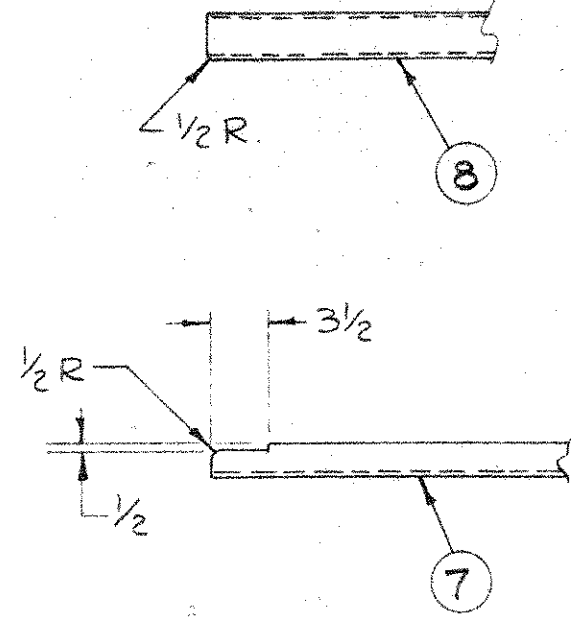
D

C

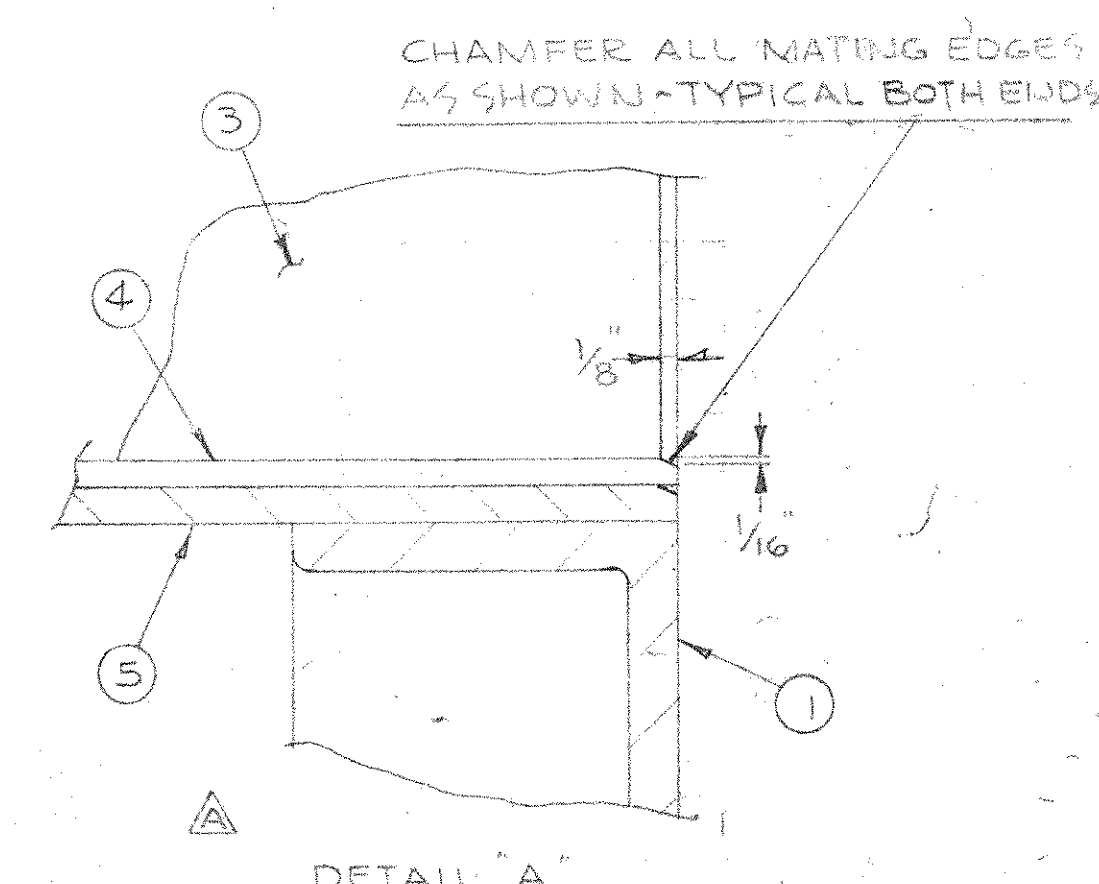
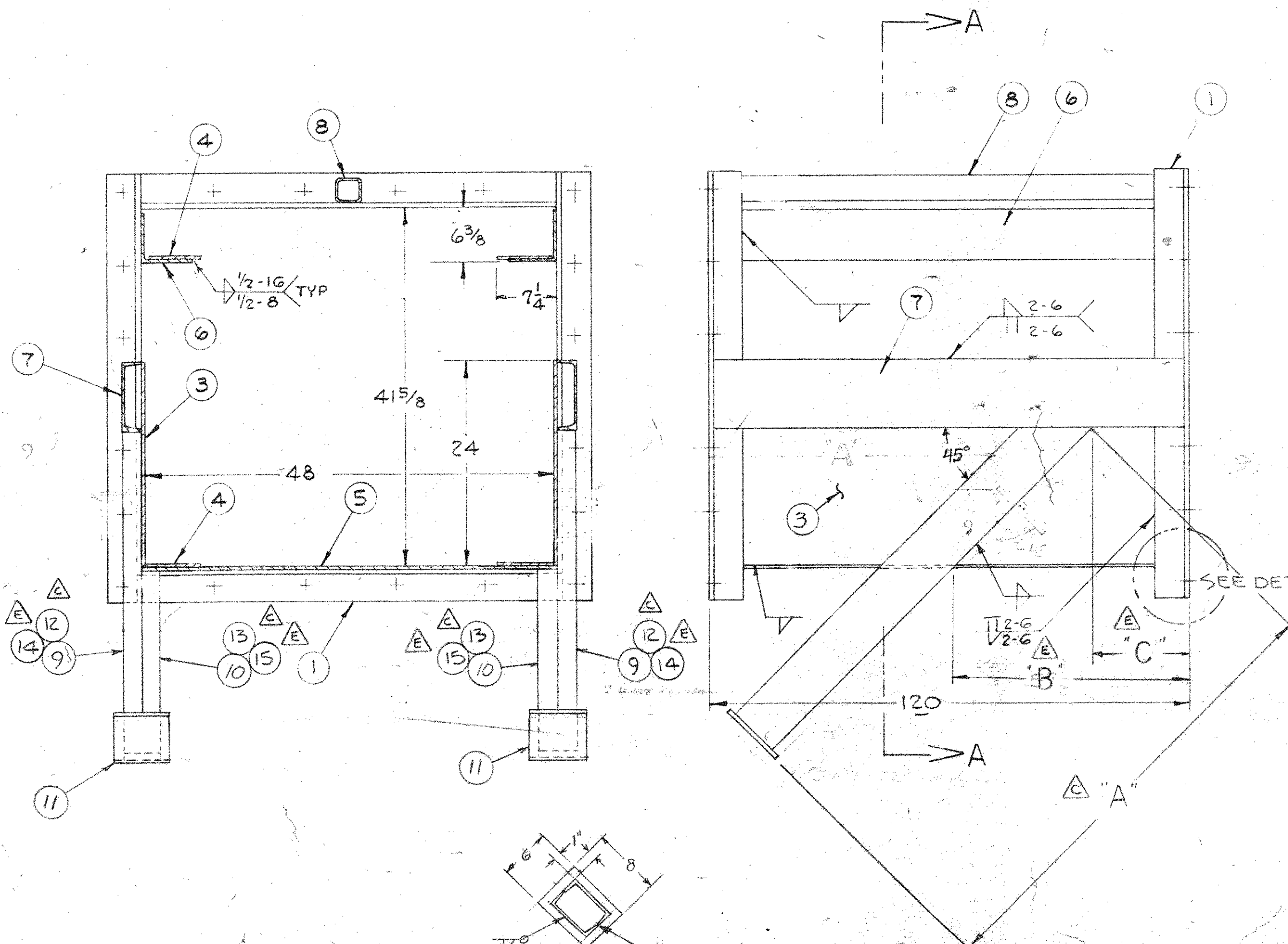
B

A

GROUP	02	03	05
DIM "A"	32 1/2	69 3/4	76 1/2
DIM "B"	51 1/8	51 1/8	48
DIM "C"	40 3/4	40 3/4	31 5/8



GROUP					PARTS LIST		
05	04	03	02	01	ITEM	PART	DESCRIPTION
2	2	2	2	2	1	A-22D-0046-G01	TROUGH FLANGE ASSY.
-	-	-	-	-	2		
2	2	2	2	2	3		1/4 R x 24 x 120 CORTEN
4	-	4	4	4	4		1/4 R x 6 1/2 x 120 ABRASION RESISTING
1	1	1	1	1	5		3/8 R x 48 x 120 CORTEN
2	2	2	2	2	6		L 6 x 6 x 3/8 x 120
2	2	2	2	2	7		C 8 x 11.5# x 119
1	1	1	1	1	8		3 x 3 x 3/16 WALL x 119 SQ. TUBE
		2	2	-	9		C 6 x 8.2# x 32 (45° MITRE (1) END)
		2	2	-	10		C 6 x 8.2# x 9 1/2 (45° MITRE (1) END)
2	2	2	2	-	11		1/2 PL x 8 x 6 LG
		2	-	-	12		C 6 x 8.2# x 69 3/4 (45° MITRE (1) END)
		2	-	-	13		C 6 x 8.2# x 46 5/8 (45° MITRE (1) END)
2	-	-	-	-	14	F	C 6 x 8.2# x 76 (45° MITRE (1) END)
2	-	-	-	-	15	F	C 6 x 8.2# x 52 1/8 (45° MITRE (1) END)



- G01 - WITHOUT LEGS
- G02, G03 & G05 - WITH LEGS
- G04 - LIKE G01 - w/o WEAR STRIPS

05	4484	3728	
04	4124	2846	
03	3909	2846	
02	3377	2846	D-22-0057-G01
01	3347	2846	D-22-0057-G01

CSI PROCESS SPEC NUMBER

GROUP	B/M	D/L	NEXT HIGHER ASSY
-------	-----	-----	------------------

TROUGH SECTION-CONVEYOR-120

Consumat Systems, Inc.
RICHMOND, VIRGINIA U.S.A.

F	DIM. 76 1/2 WAS 73; 76 WAS 73; 52 1/8 WAS 56 3/8	8-18-86	EASy
E	DIMS. B & C & GOS & ITEMS 14 & 15 ADD.	7-17-86	EASy
D	ADDED G04	3-5-86	EASy
C	ADDED G03 AND DIM "A" CHART	12-30-85	GARD
B	DETAIL "A" ADDED	5-21-85	EASy
A	ADDED G02	4-16-85	FAH
NO.	REVISION	DATE	BY

THIS DRAWING IS THE PROPERTY OF CONSUMAT SYSTEMS INC., AND IS TO BE USED ONLY FOR PRODUCING ITEMS ON ORDER FOR CONSUMAT SYSTEMS INC. SUBJECT TO RETURN UPON DEMAND AND IS NOT TO BE PRINTED, PHOTOGRAPHED, COPIED, REPRODUCED, LOANED OR USED IN ANY WAY WITHOUT WRITTEN PERMISSION OF CONSUMAT SYSTEMS INC.

SCALE	N T S.	DRAWN	EASy / SGG	DRAWING NO.	
DATE	3-5-85	CHK.		C-22D-0062	
DO NOT SCALE		APPR.		SHEET	OF

4

3

2