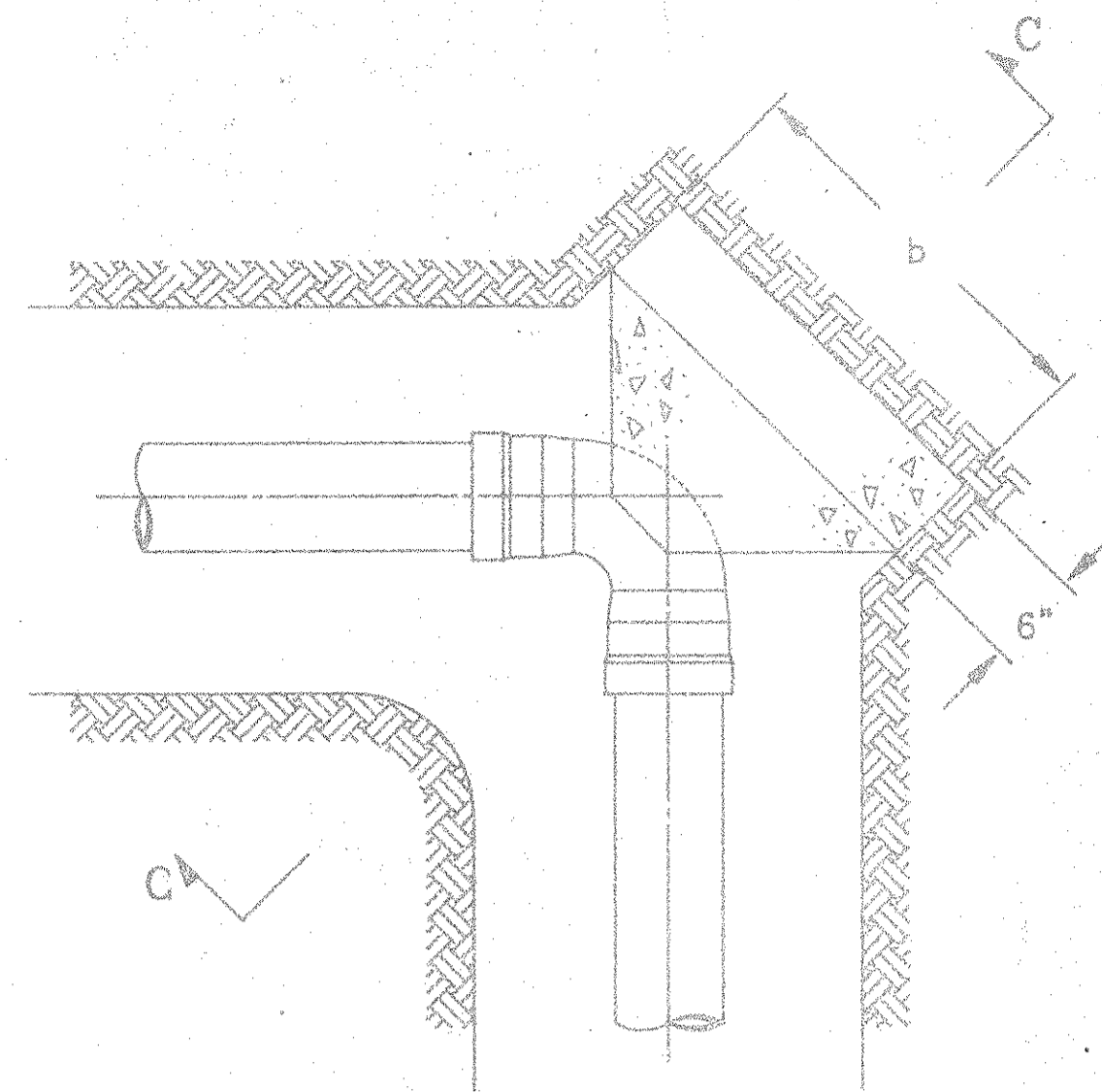


SECTION A-A

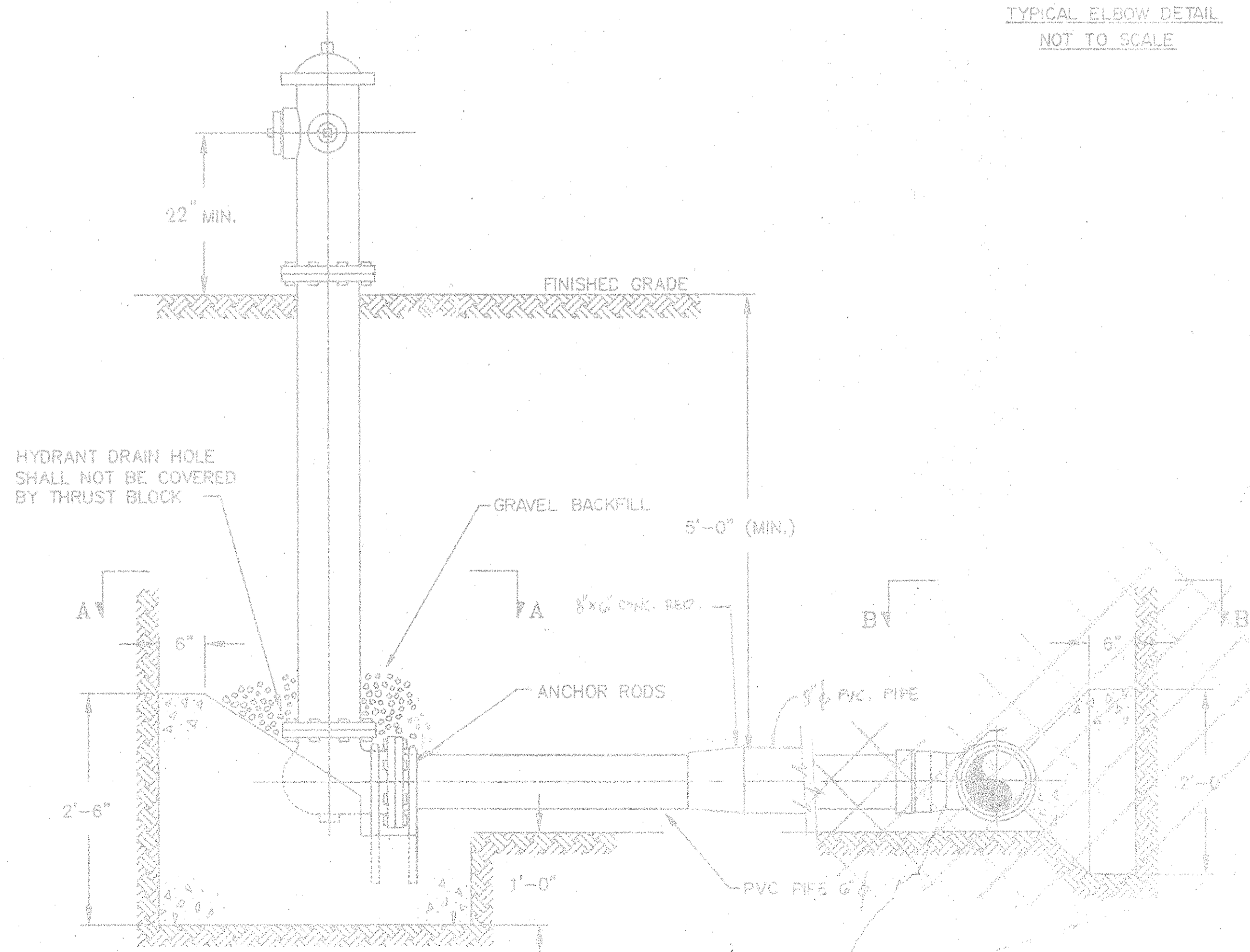
SCALE: 1"=1'-0"



SECTION C-C

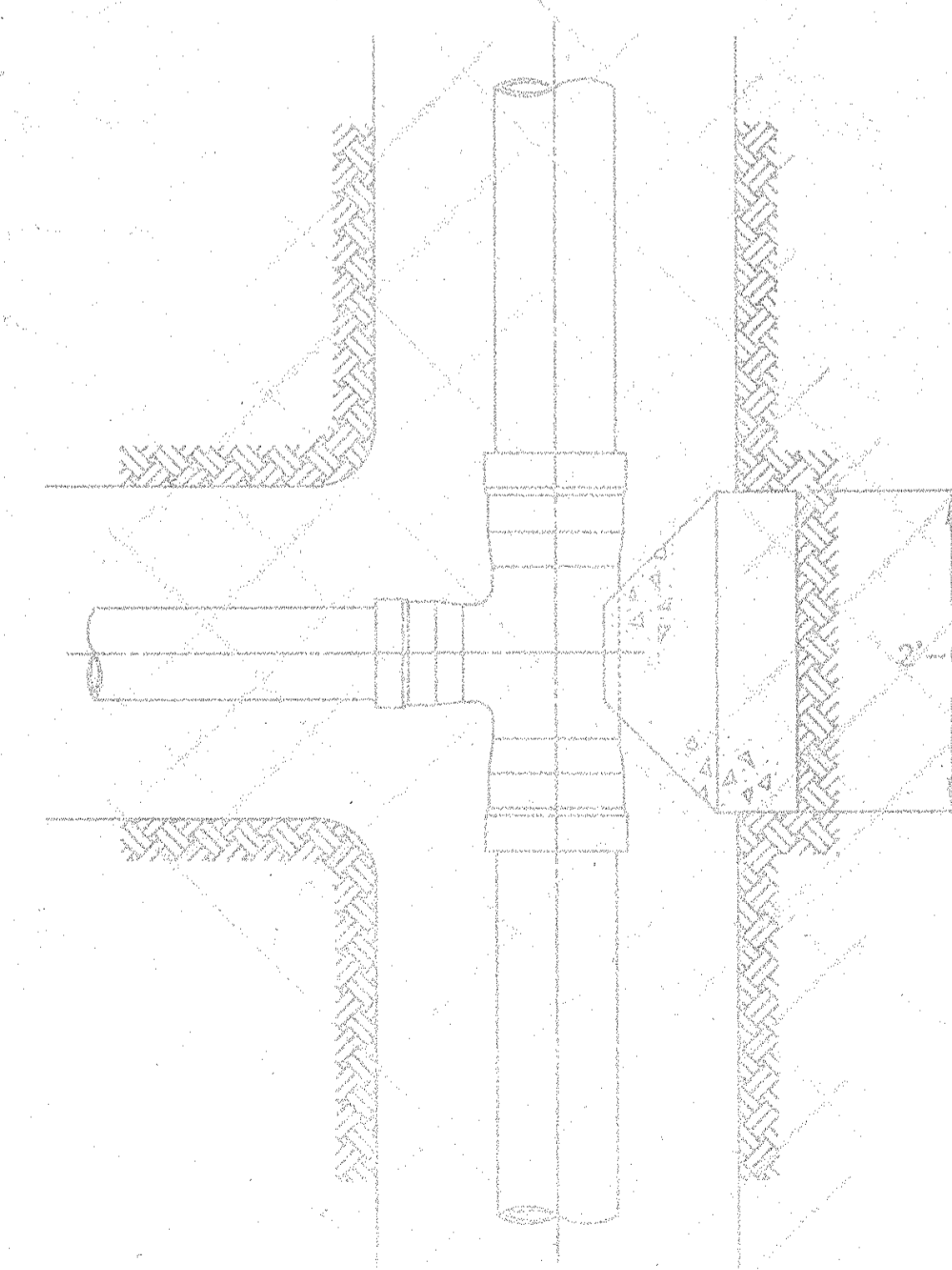
TYPICAL ELBOW DETAIL  
NOT TO SCALE

PIPE SIZE	90° ELBOW		45° ELBOW		22 1/2° ELBOW	
	h	b	h	b	h	b
6"	2'-6"	2'-2"				
8"	2'-6"	3'-9"	2'-6"	2'-3"		
12"	2'-6"	7'-10"	2'-6"	4'-3"	2'-6"	2'-2"



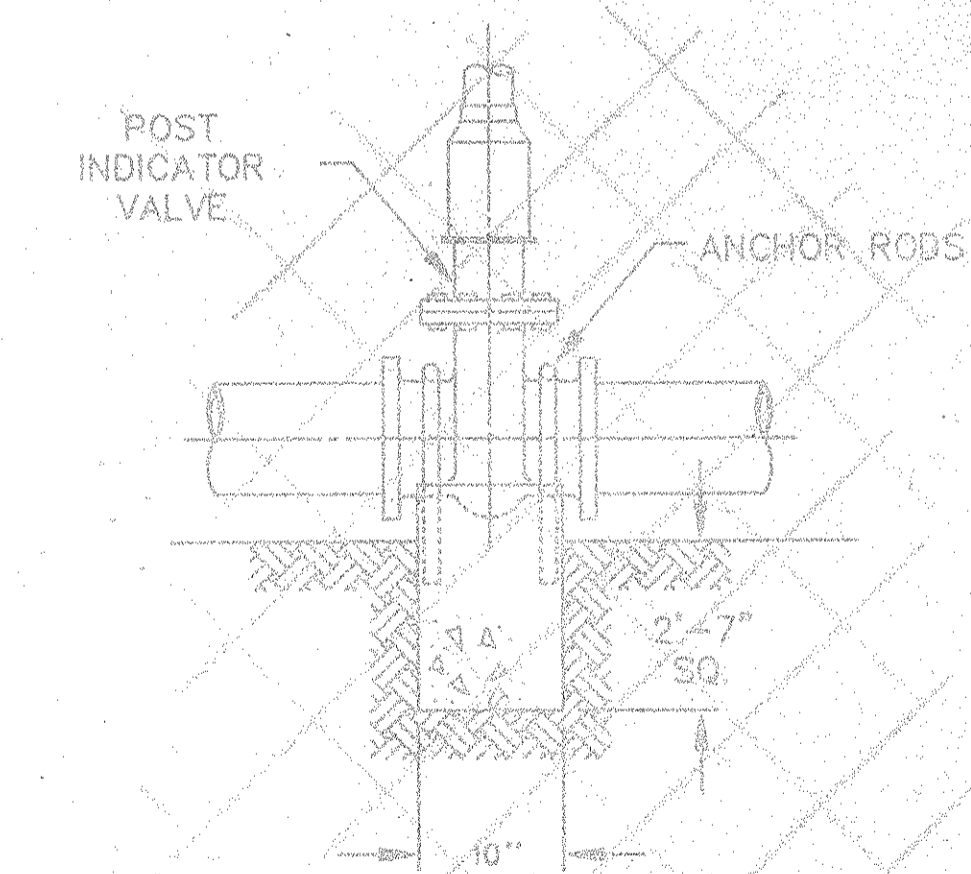
TYPICAL HYDRANT DETAIL

SCALE: 1"=1'-0"



SECTION B-B

TYPICAL TEE DETAIL  
SCALE: 1"=1'-0"



SECTION OF POST INDICATOR VALVE

NOT TO SCALE

1	AS-BUILT RECORD	DATE: 10/1/88	BY: W.P. LONDON
2	CONTRACT NO.	DATE: 10/1/88	BY: W.P. LONDON
3	PROJECT NO.	DATE: 10/1/88	BY: W.P. LONDON
4	REVISION	DATE: 10/1/88	BY: W.P. LONDON

W.P. LONDON AND ASSOCIATES LIMITED  
 ENGINEERING ARCHITECTS  
 NAGARA FALLS  
 HARTFORD COUNTY RESOURCE RECOVERY FACILITY - HARTFORD COUNTY, MARYLAND  
 UNDERGROUND PIPING DETAILS  
 FOR PVC PRESSURE PIPE

Consumat Systems, Inc.  
 RICHMOND, VIRGINIA, U.S.A.