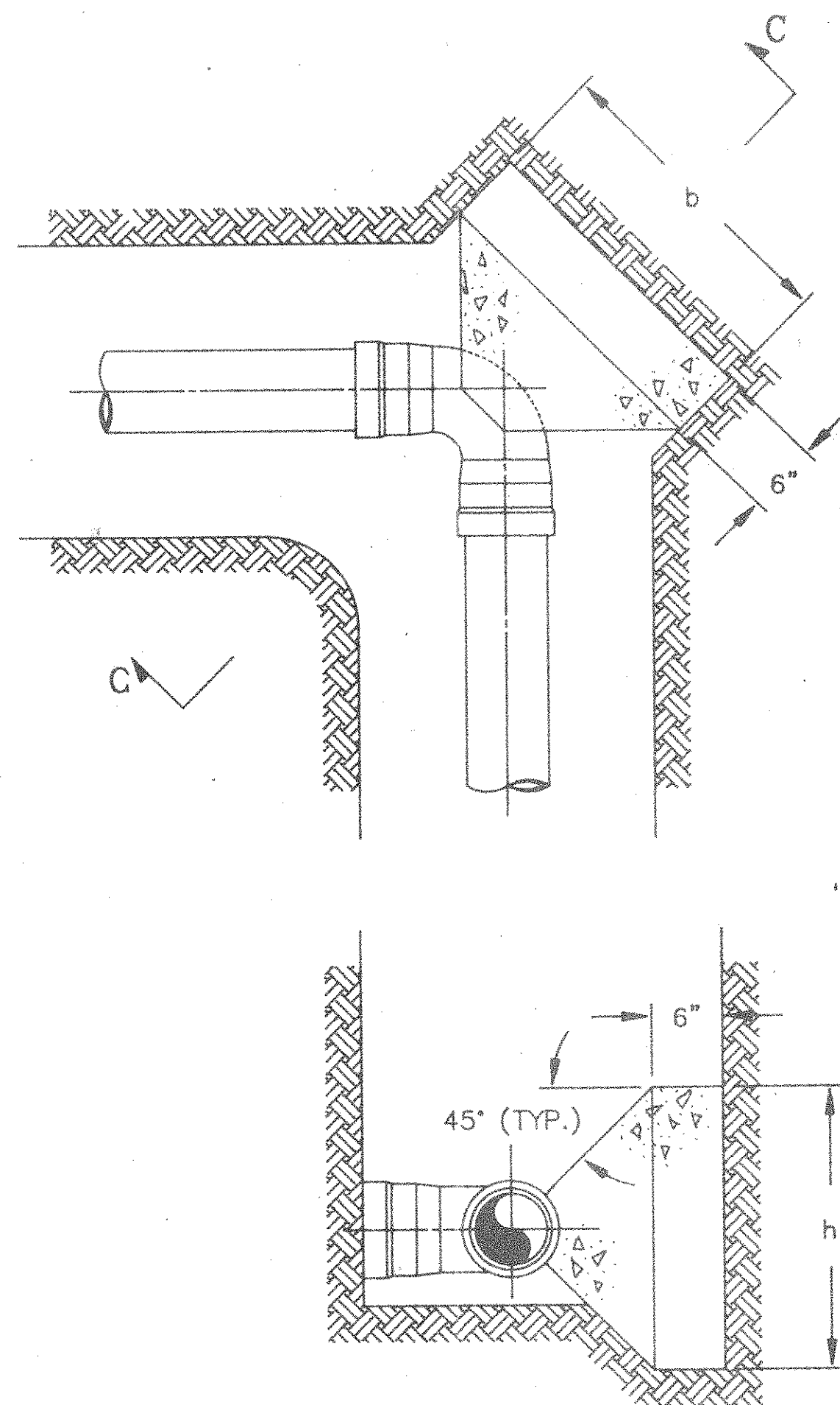


SECTION A-A

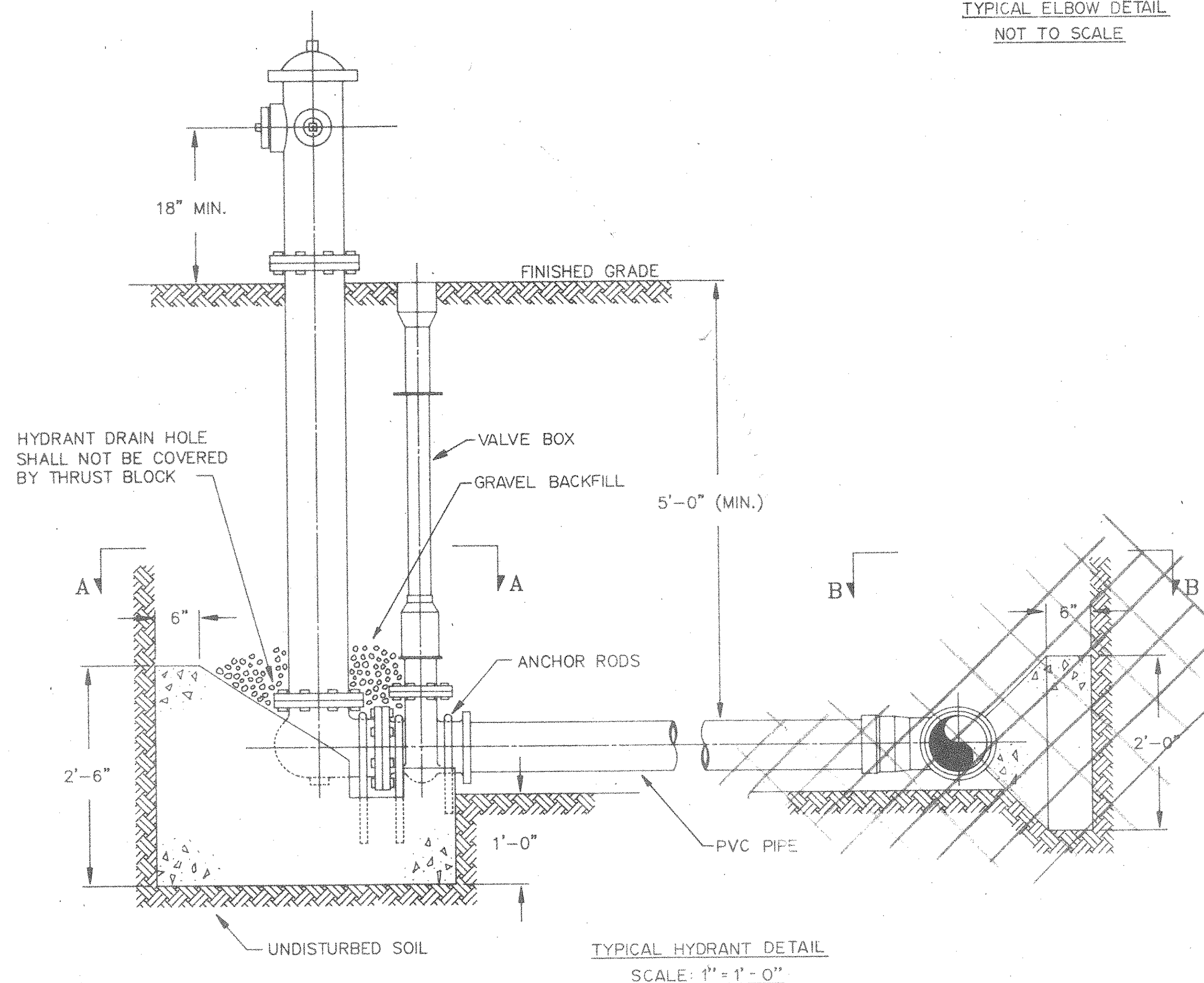
SCALE: 1"=1'-0"



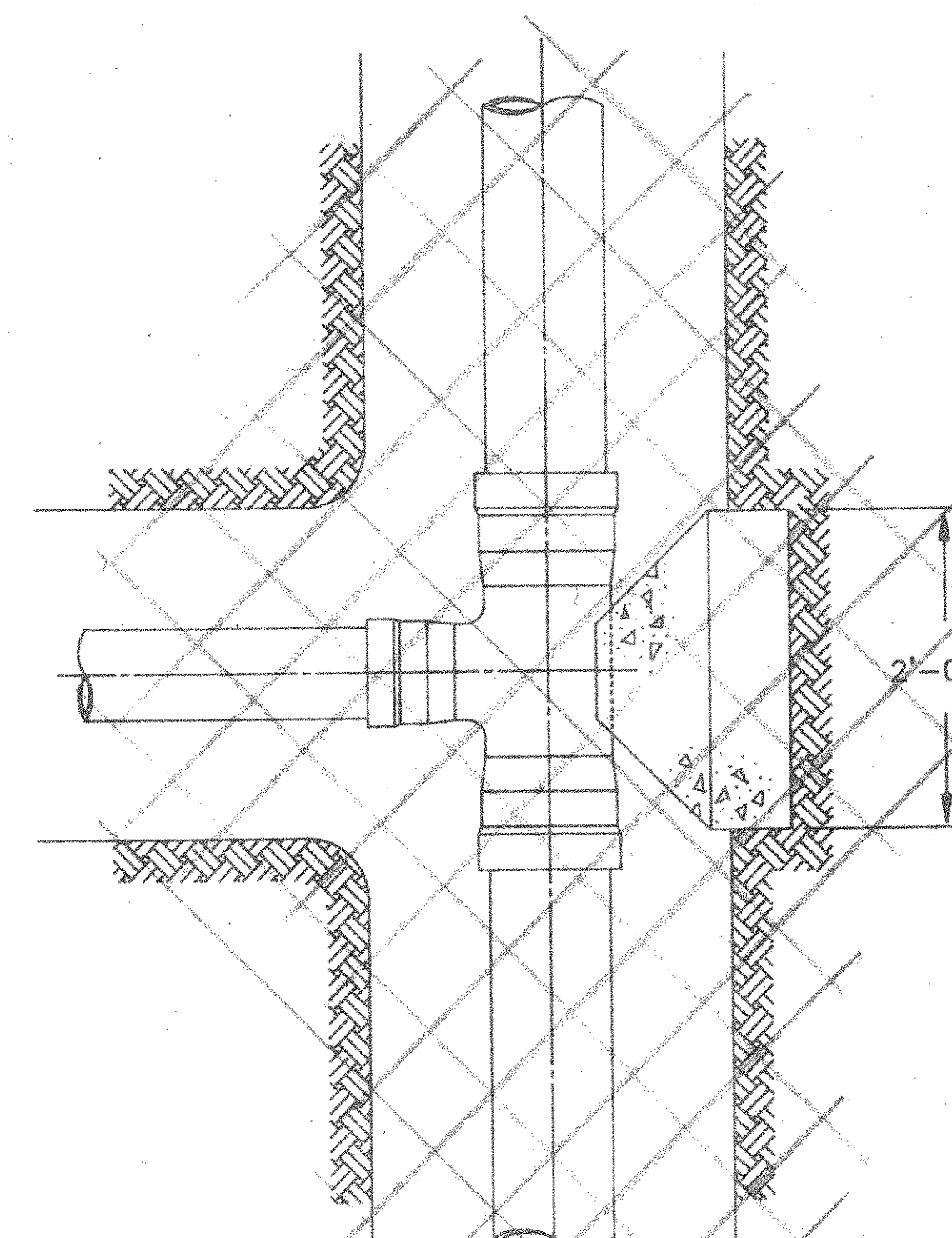
SECTION C-C

TYPICAL ELBOW DETAIL
NOT TO SCALE

CONCRETE THRUST BLOCK DIMENSIONS AT 200 PSI						
PIPE SIZE	90° ELBOW		45° ELBOW		22 1/2° ELBOW	
	h	b	h	b	h	b
6"	2'-6"	2'-2"				
8"	2'-6"	3'-9"				
12"	2'-6"	7'-10"	2'-6"	4'-3"	2'-6"	2'-2"

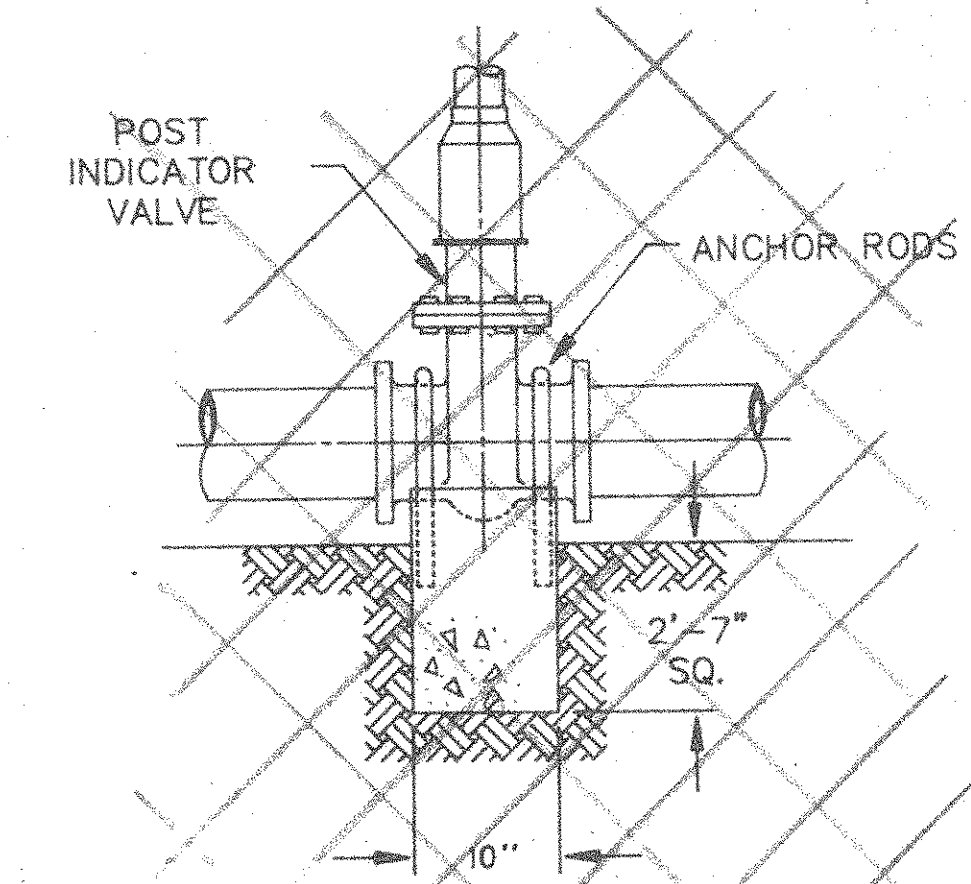


TYPICAL HYDRANT DETAIL
SCALE: 1"=1'-0"



SECTION B-B

TYPICAL TEE DETAIL
SCALE: 1"=1'-0"



**SECTION OF
POST INDICATOR VALVE**

NOT TO SCALE

W.P. LONDON AND ASSOCIATES LIMITED
CONSULTING ENGINEERS
NIAGARA FALLS

HARFORD COUNTY RESOURCE RECOVERY FACILITY - HARFORD COUNTY, MARYLAND
UNDERGROUND PIPING DETAILS
FOR PVC PRESSURE PIPE

Consumat Systems, Inc.
RICHMOND, VIRGINIA U.S.A.

1	ORIGINAL TRANSFERRED TO C.S.I.	Nov 19/86	K.L.	SCALE AS NOTED	DRAWN B. CAMP	DRAWING NO.
0	ISSUED FOR CONSTRUCTION	Nov 3/86	J.S.	DATE SEPT. 10, 1986	CHK [Signature]	7624-0000-41D2-009
NO.	REVISION	DATE	BY	DO NOT SCALE	APPR.	SHEET 1 OF 1

[Signature]
PROFESSIONAL ENGINEER
TEMPORARY PERMIT NO. 771
TO PRACTICE ENGINEERING IN
THE STATE OF MARYLAND