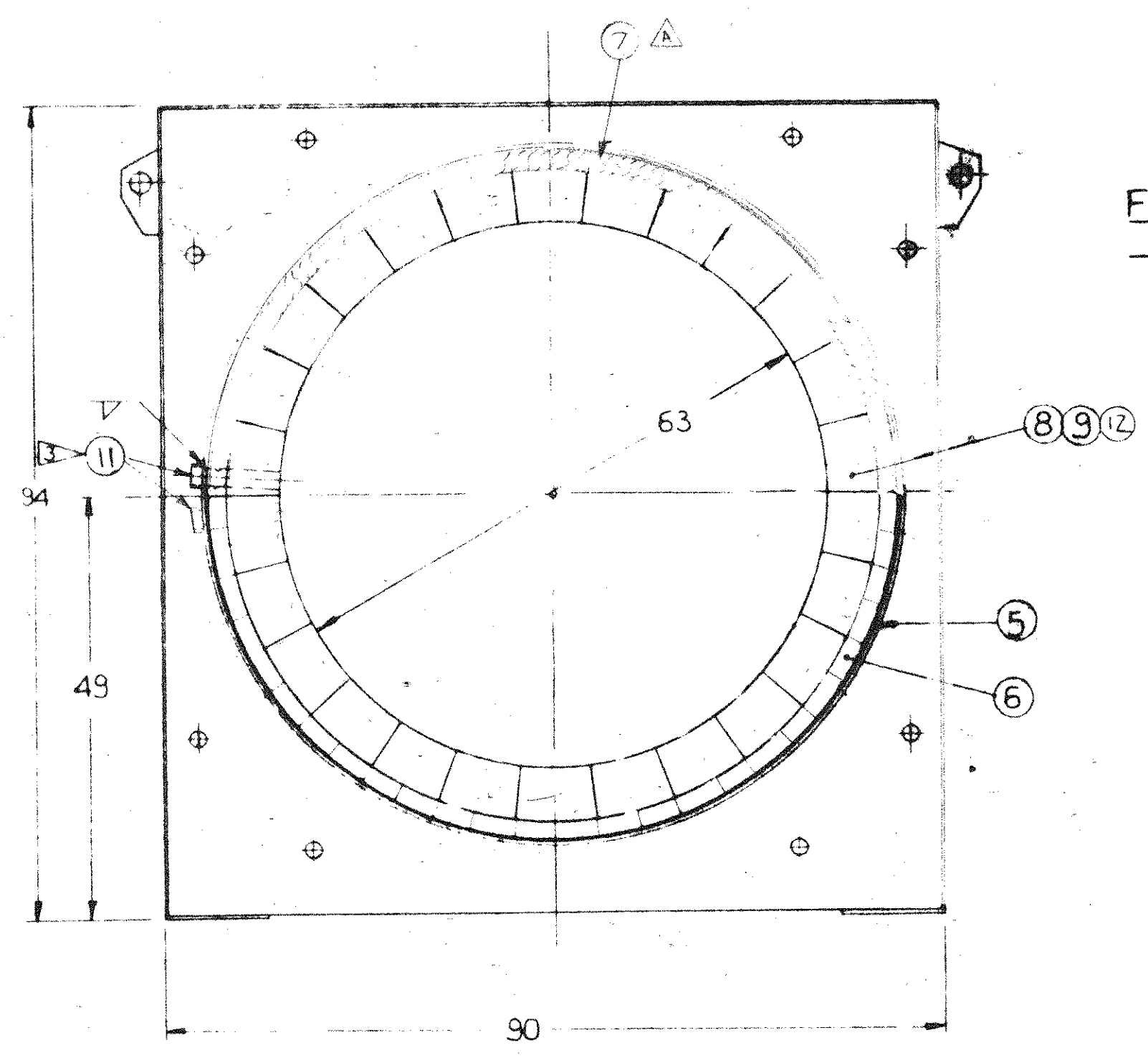


8

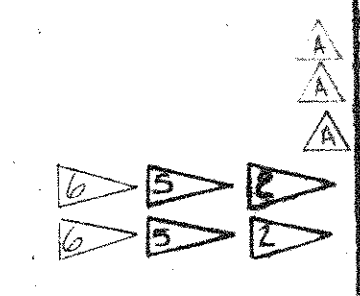
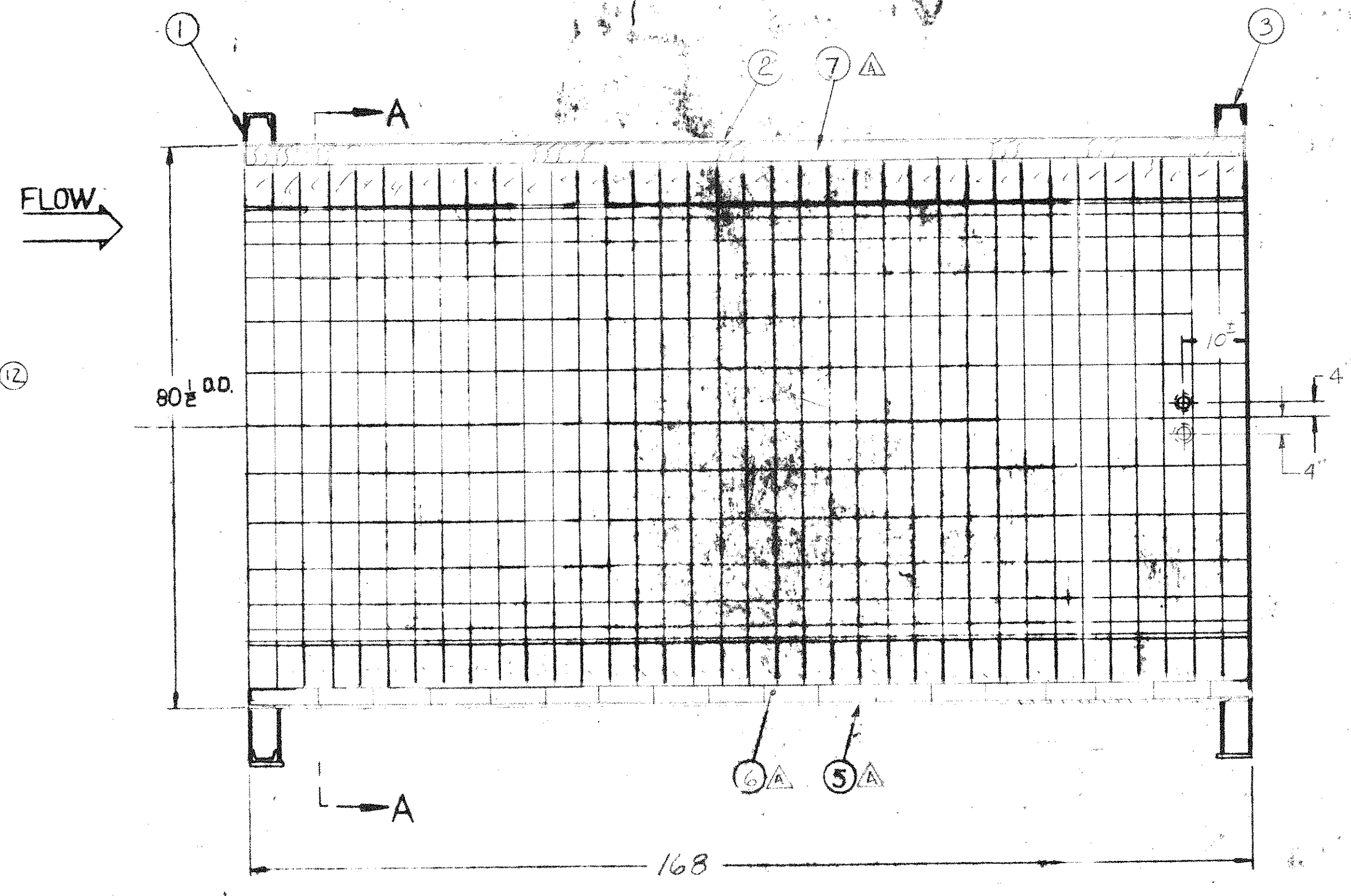
7

6

GROUP		PARTS LIST		
QTY	REF	ITEM	PART	DESCRIPTION
	1		CB1A-0010-003	BULKHEAD NO 3
	2		VAR * 2E2 * 167 1/2	
	3		CB1A-0010-002	BULKHEAD NO 4
	4			
	500	5		1/4 FIBERFRAX BOARD (2 LAYERS)
	416	6		G-20 NO 2 SPLIT RING
	150	7		3/2" INS BLOCK
	546	8		CLIPPER RKB 9x6x4 (60-72)
	538	9		CLIPPER RKB 9x6x4 (66-78)
		10		
	2	11		1/4" STEEL COUPLING
	5	12		DEMON AIR SET CEMENT 100 LB
		13		
		14		
		15		
		16		



VIEW A-A



NOTES:

- 1. ALTERNATIVE FOR ITEM 8 & 9
1040 - CLIPPER # 2 ARCH 9x6x(3-2 1/2)
100 - CLIPPER # 1 ARCH 9x6x(3-2 1/2)
IF THESE ARE USED, DIMENSIONS IN BRACKETS WILL APPLY.
- 2. USE 1/4" PIPE FOR MOLD
- 3. DIMENSIONS ARE ON OUTSIDE OF SHELL.
- 4. ROTARY KILN BLOCKS REQUIRED TO TURN COMPLETE CIRCLE: ITEM 8 (60-72) - 13 REQ'D, ITEM 9 (66-78) - 14 REQ'D
- 5. "A.P. GREEN" CLIPPER DRY PRESS ROTARY KILN BLOCKS OR EQUIVALENT.

DATE	4/26/78	BY	3578
GROUP	B/M	D/L	NEXT NUMBER
UPPER CHAMBER SHELL N° 2			
CS-3000			
Consumat Systems, Inc.			
RICHMOND, VIRGINIA U.S.A.			
DRG	NIS	DRG	RHH
CHK	JSE	CHK	
DRAWING NO. D-31-0199		SHEET 1 OF 1	

THIS DRAWING IS THE PROPERTY OF CONSUMAT SYSTEMS INC. AND IS TO BE USED ONLY FOR PRODUCING ITEMS ON ORDER FOR CONSUMAT SYSTEMS INC. SUBJECT TO RETURN UPON DEMAND AND IS NOT TO BE REPRODUCED, COPIED, REPRODUCED, LOANED OR USED IN ANY MANNER WITHOUT WRITTEN PERMISSION OF CONSUMAT SYSTEMS INC.