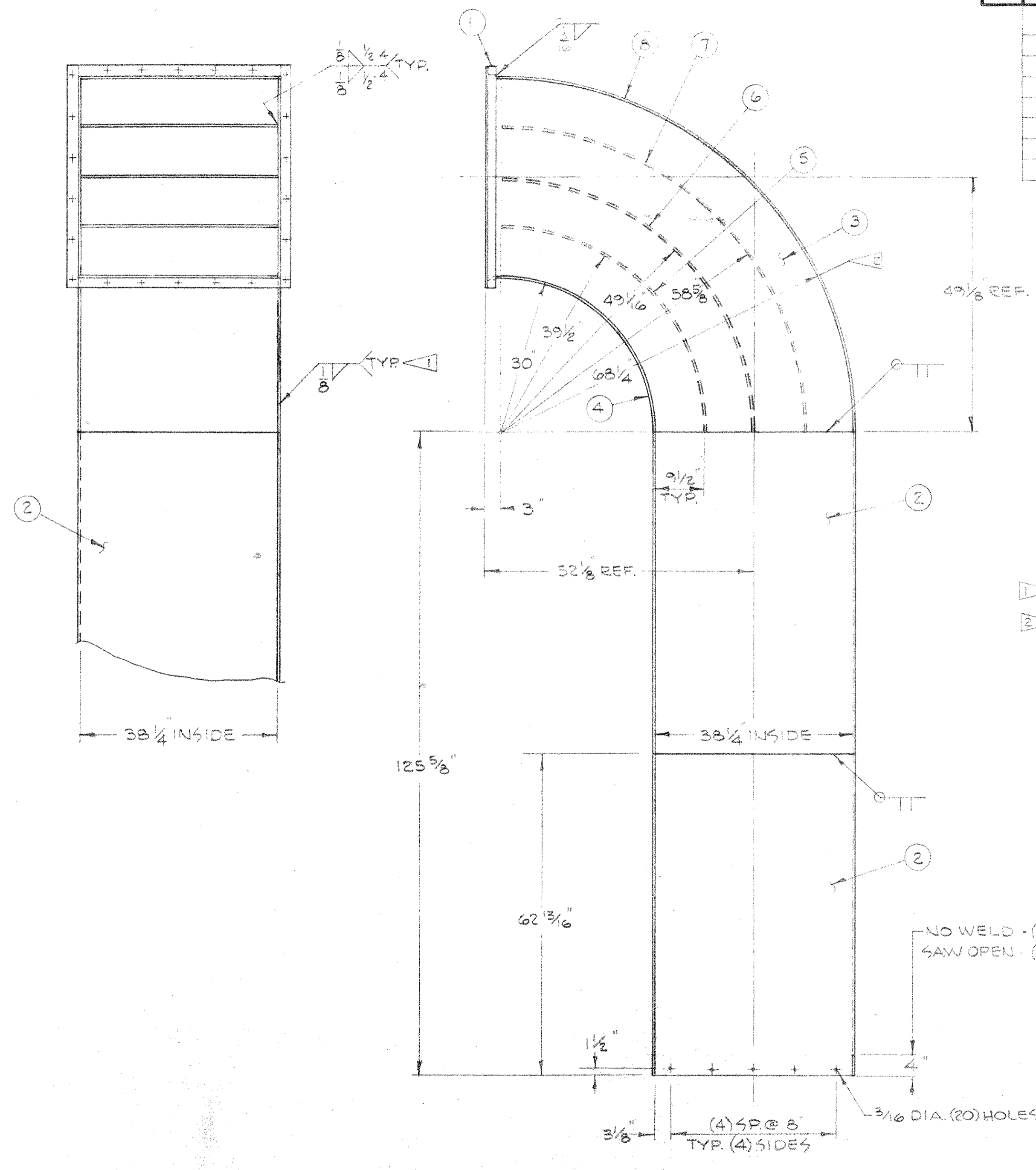


GROUP		PARTS LIST		
02	01	ITEM	PART	DESCRIPTION
1	1	B24J-0016 601		DUCT FLANGE - VERTICAL DUCT
4	2			12 GA X 62 13/16 X 76 1/2
2	3			X 68 1/4 X 71 1/4
1	4			X 38 1/4 X 50 7/32
1	5			X 38 1/4 X 62 1/8
1	6			X 38 1/4 X 77 5/32
1	7			X 38 1/4 X 92 3/16
1	8			60 X 38 1/4 X 110 5/16



NOTES  
 1 OPEN CORNER WELDS.  
 2 ALL RADII SPECIFIED ARE INSIDE DIMS.

NO WELD - (2) CORNERS  
 SAW OPEN - (2) CORNERS

HARFORD CO	4805	01	4595	3794
CSI PROCESS SPEC	NUMBER	GROUP	B/M	D/L
NEXT HIGHER ASSY				

VERTICAL DUCT - L/C SHROUD DUCT  
 T/C FAN-SIZE 365

**Consumat Systems, Inc.**  
 RICHMOND, VIRGINIA U.S.A.

SCALE 3/4" = 1'-0"	DRAWN EAS	DRAWING NO.
DATE 9-16-86	CHK. LEW 9/16/86	C-24-0194
DO NOT SCALE	APPR.	SHEET OF

THIS DRAWING IS THE PROPERTY OF CONSUMAT SYSTEMS INC., AND IS TO BE USED ONLY FOR PRODUCING ITEMS ON ORDER FOR CONSUMAT SYSTEMS INC. SUBJECT TO RETURN UPON DEMAND AND IS NOT TO BE PRINTED, PHOTOGRAPHED, COPIED, REPRODUCED, LOANED OR USED IN ANY WAY WITHOUT WRITTEN PERMISSION OF CONSUMAT SYSTEMS INC.

NO.	REVISION	DATE	BY
-----	----------	------	----

D  
C  
B  
A

4 3 2